

MICRO SWITCH
a Honeywell Division

FED. MFG. CODE 91929

SEAL - RING

CATALOG LISTING

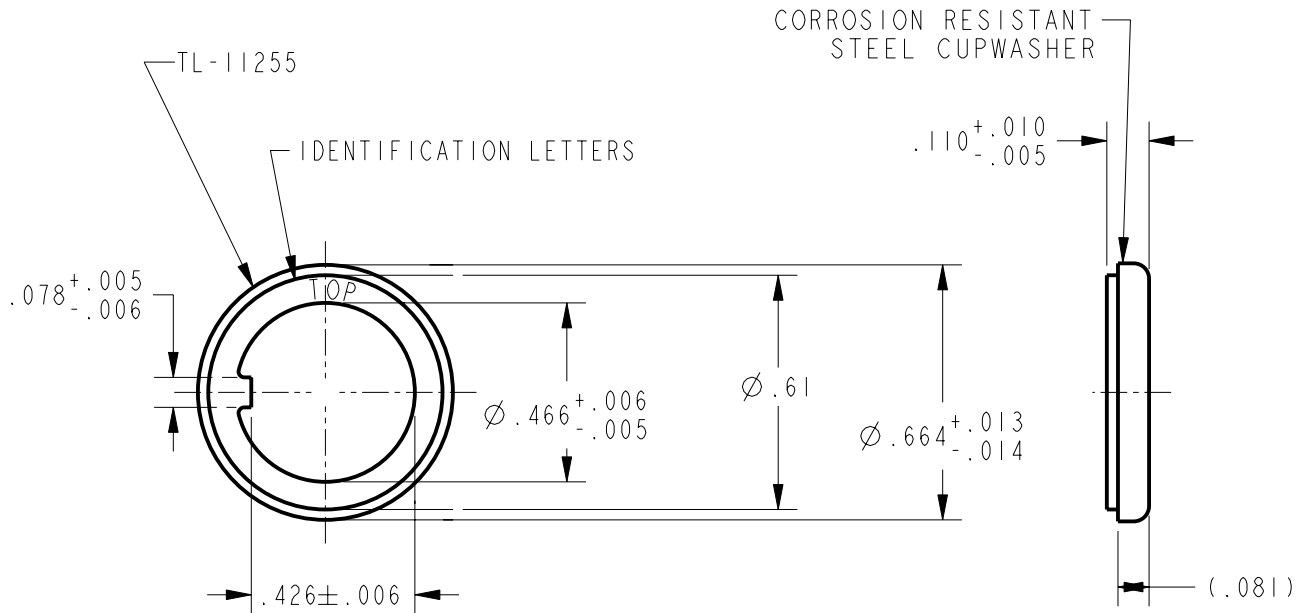
15PA87

PRODUCT CODE

SG-T8700

THIS DRAWING COVERS A PROPRIETARY ITEM AND IS THE PROPERTY OF MICRO SWITCH, A DIVISION OF HONEYWELL. THIS DRAWING IS NOT TO BE COPIED OR USED WITHOUT THE APPROVAL OF MICRO SWITCH.

CATALOG LISTING		15PA87		REPLACES	
PAGE 1 OF 1		RELEASE NO. SR-12670			
ISSUE		3		CHECK	
REVISIONS		A 203836		CHECK	
		G J W		CHECK	
		AUG 01		CHECK	
		31AUG01		CHECK	
		SAV		CHECK	
		31AUG01		CHECK	
DRAWN		G J W		CHECK	
PTC / CAD 2D		31AUG01		CHECK	



THIRD ANGLE PROJECTION	
SCALE	2 : 1
DO NOT SCALE PRINT	
UNLESS OTHERWISE SPECIFIED TOLERANCES ARE	
ONE PLACE (.0)	±.030
TWO PLACE (.00)	±.015
THREE PLACE (.000)	±.005
ANGLES	±
WEIGHT	

ANSI Y14.5M-1982 APPLIES