

507-001
Split Strain-Relief Backshell
for MIL-DTL-81659 Connectors

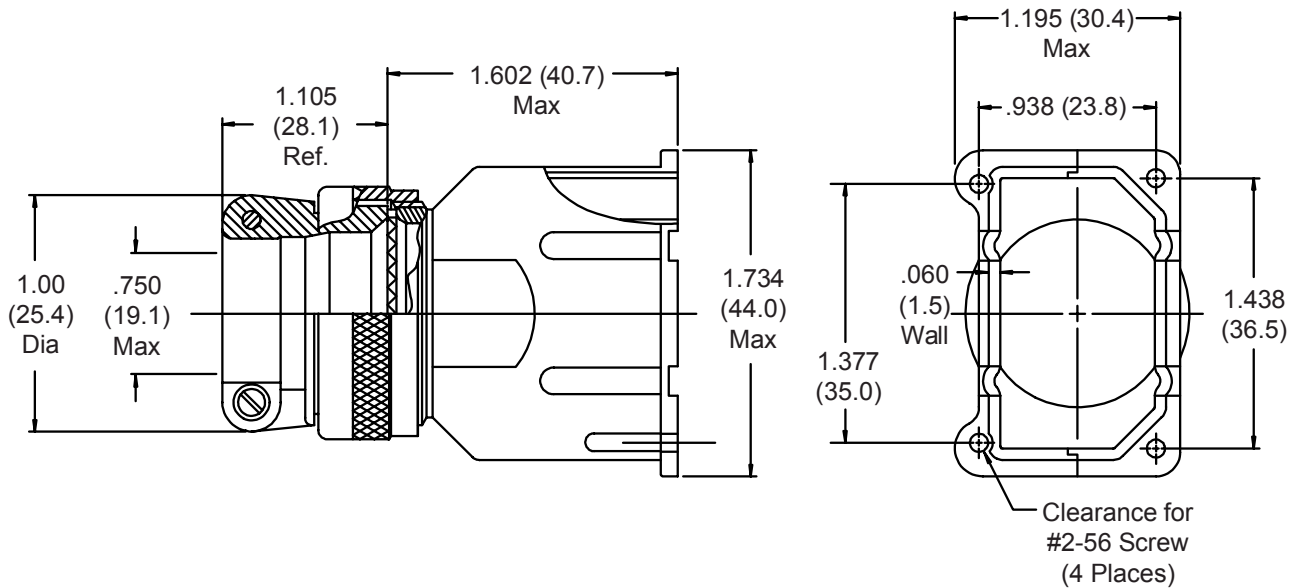


MIL-DTL-81659

507-001 B

Basic Part No. _____
 Finish: _____

- B = Cadmium Plate/Olive Drab
- M = Electroless Nickel
- N = Cadmium Plate/Olive Drab over Nickel Plate
- NF = Cadmium Olive Drab over Electroless Nickel (1000 Hour Salt Spray)



1. Metric dimensions (mm) are indicated in parentheses.
2. Material:
 Backshell = Al Alloy/Finish Per Part Number Development
 Hardware = SST/Passivate

Mouser Electronics

Authorized Distributor

Click to View Pricing, Inventory, Delivery & Lifecycle Information:

[Glenair:](#)

[507-001-B](#)