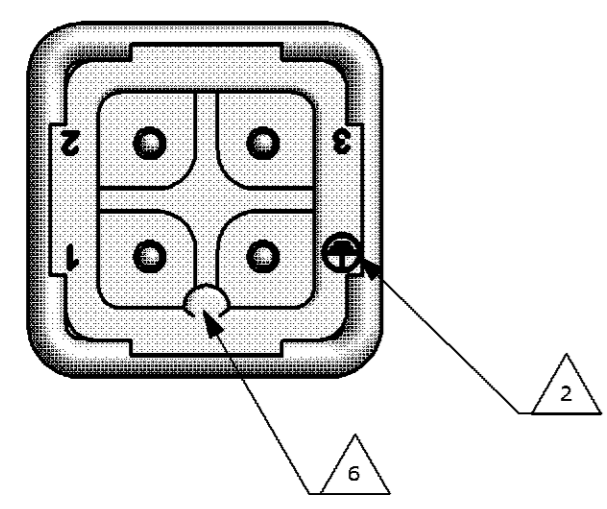


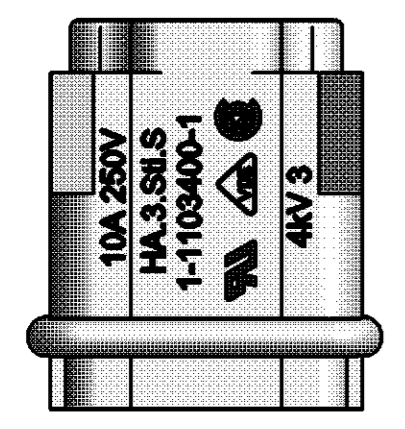
NOTES

- 1 CONTACT: 1 TO 3
SUITABLE SCREW CONTACTS: SERIES HA.3
OUTER DIMENSIONS OF INSULATION: MAX. Ø3,4 MM
- 2 GROUNDING CONTACT:
SUITABLE SCREW CONTACTS: SERIES HA.3
OUTER DIMENSIONS OF INSULATION: MAX. Ø3,4 MM
- 3 SUITABLE HOOD SIZE 1: SERIES HA; HD; EMV AND HIP
- 4 SUITABLE INSERTION AND EXTRACTION TOOL:
SCREWDRIVER 2,0x65
- 5 STANDARDS:
DIN EN 61984; DIN EN 60664-1
- 6 POLARIZATION RIPS
- 7 POS. 8 AND POS.9 PACKED SEPARATE IN POLY BAG
- 8 AUTHORIZATION: UL; CSA; VDE; SEV
- 9 PACKAGING:
10 SETS IN A CARTON, PRE-MOUNTED
- 10 PACKAGING
200 PIECES IN A KANN-BAN BOT

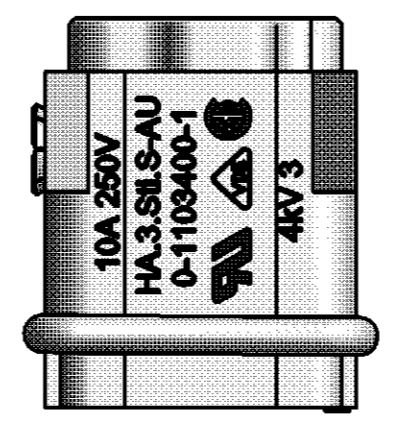
CONTACT ARRANGEMENT
VIEW FROM CONECTING SIDE



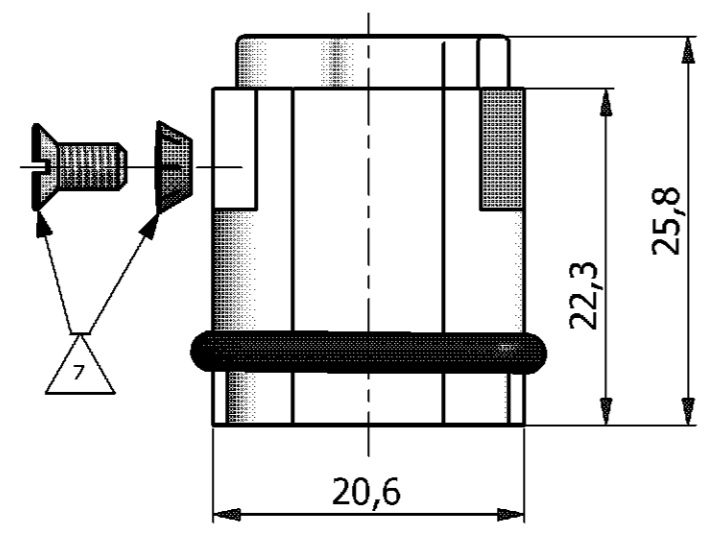
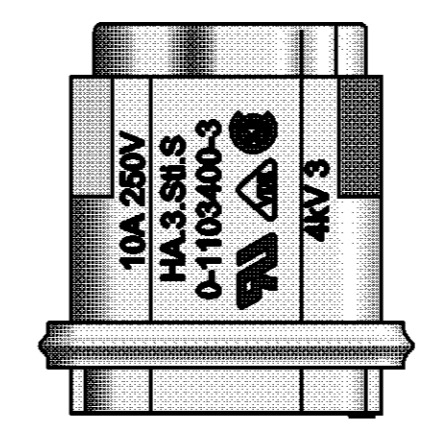
LATERAL PRINT
PN 1-1 / 0-2



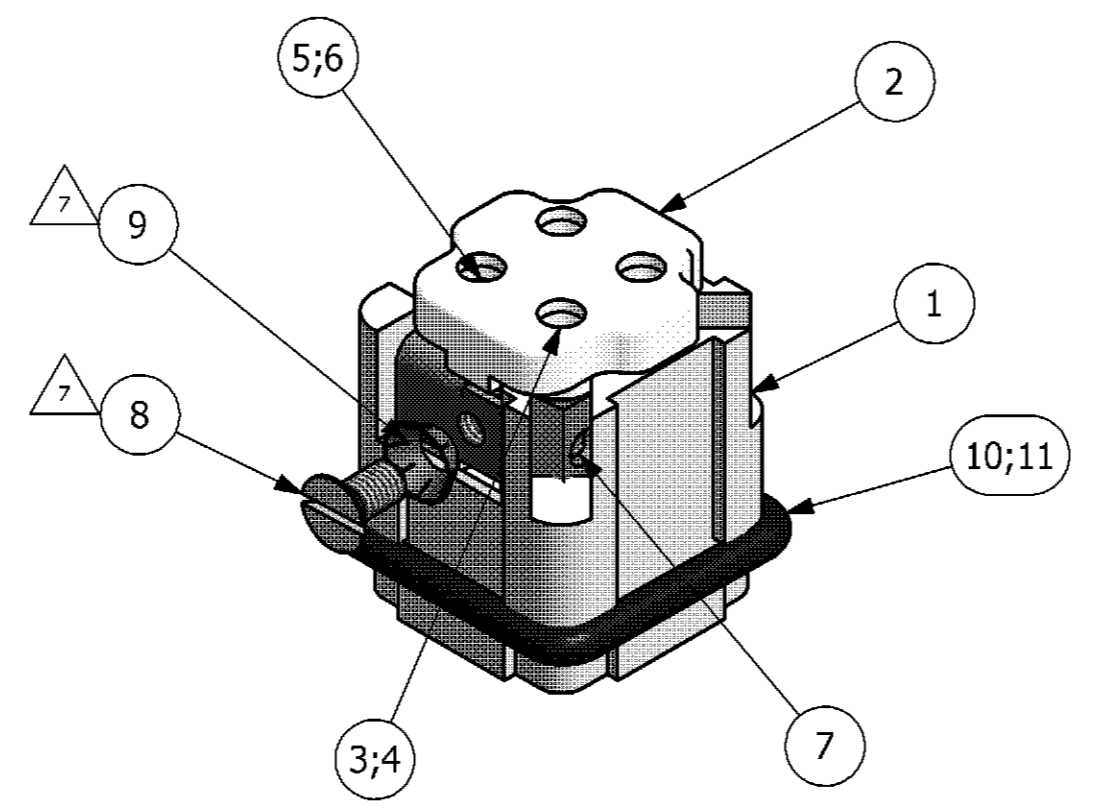
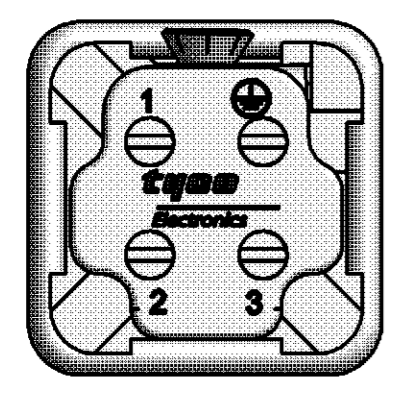
LATERAL PRINT
PN 0-1



LATERAL PRINT
PN 0-3



CONTACT ARRANGEMENT
VIEW FROM TERMINATION SIDE



| QTY | DESCRIPTION | MATERIAL | SURFACE | COLOR | ITEM | NOTES | | | |
|-----|---------------------------------|----------|---------------|---------------|----------|------------|-------|------|-------|
| 1 | PROFILE SEAL | NEOPRENE | | BLACK | 11 | CONDUCTIVE | | | |
| 1 | PROFILE SEAL | NEOPRENE | | BLACK | 10 | | | | |
| 1 | SPRING WASHER | STEEL | ZINK PLATED | | 9 | V3.2 | | | |
| 1 | SLOTTED COUNTER FLAT HEAD SCREW | STEEL | ZINK PLATED | | 8 | M3x6 | | | |
| 4 | SLOTTED CHEESE HEAD SCREW | BRASS | NICKEL PLATED | | 7 | M3x5.5 | | | |
| 1 | EARTING CONTACT PIN WITH ANGLE | BRASS | GOLD PLATED | | 6 | | | | |
| 1 | EARTING CONTACT PIN WITH ANGLE | BRASS | SILVER PLATED | | 5 | | | | |
| 3 | CONTACT PIN | BRASS | GOLD PLATED | | 4 | | | | |
| 3 | CONTACT PIN | BRASS | SILVER PLATED | | 3 | | | | |
| 1 | COVER | PC | | BEIGE | 2 | | | | |
| 1 | MALE INSERT | PC | | BEIGE | 1 | | | | |
| 0-3 | 0-2 | 0-1 | 1-1 | DESCRIPTION | MATERIAL | SURFACE | COLOR | ITEM | NOTES |
| | | | | HA.3.Sti.S | | | | | |
| | | | | HA.3.Sti.S-AU | | | | | |
| | | | | HA.3.Sti.S-KM | | | | | |
| | | | | HA.3.Sti.S | | | | | |

THIS DRAWING IS A CONTROLLED DOCUMENT FOR AMP INCORPORATED. IT IS SUBJECT TO CHANGE AND THE CONTROLLING ORGANIZATION SHALL BE RESPONSIBLE FOR THE REVISIONS. DIESE ZEICHNUNG IST EIN KONTROLLIERTES DOKUMENT FÜR AMP INCORPORATED. SIE IST VERÄNDERBAR UND DIE KONTROLLIERENDE ORGANISATION TRÄGT DIE VERANTWORTUNG FÜR DIE REVISIONEN. DIE JEWEILIG LETZT GÜLTIGEN ÄNDERUNGSSTAND ERFAHREN SIE AUF ANFRAGE.

DIMENSIONS: DIMENSIONEN: mm

TOLERANCES UNLESS OTHERWISE SPECIFIED: ALLE DIMENSIONEN UNLESS OTHERWISE SPECIFIED: mm

MATERIAL FINISH / OBERFLÄCHE / FARBE

WEIGHT / GEWICHT

DWN SCHNEIDER 24.09.1999

CHK KRAMER 24.09.1999

APVD T.SCHNURPFEL 27.03.2006

PRODUCT SPEC. / PRODUKTSPEZ. 108-74055

APPLICATION SPEC. / VERARBEITUNGSSPEZ. 114-74056

NAME MALE INSERT HA.3.STI.S

SIZE A2 CAGE CODE 00779

DRAWING NO. / ZEICHNUNGS-NR. 1103400

RESTRICTED TO NUR FÜR

CUSTOMER DRAWING / KUNDENZEICHNUNG

SCALE / MASSSTAB 1:1

SHEET / BLATT 1 OF / VON 1

REV. C2