

OPT- 5DC/230AC/ 1 - Miniature solid-state relay



2982139

<https://www.phoenixcontact.com/us/products/2982139>

Please be informed that the data shown in this PDF document is generated from our online catalog. Please find the complete data in the user documentation. Our general terms of use for downloads are valid.



Plug-in miniature solid-state relay, power solid-state relay, 1 N/O contact, input: 5 V DC, output: 24 - 253 V AC/0.75 A

Your advantages

- Vibration and shock resistant
- RT III-proof (wash-proof)
- Wear-free and durable
- Can be soldered on PCB

Commercial data

Item number	2982139
Packing unit	10 pc
Minimum order quantity	10 pc
Note	Made to order (non-returnable)
Sales key	C460
Product key	CK69K2
GTIN	4046356418973
Weight per piece (including packing)	4.12 g
Weight per piece (excluding packing)	4.12 g
Customs tariff number	85364190
Country of origin	DE

OPT- 5DC/230AC/ 1 - Miniature solid-state relay



2982139

<https://www.phoenixcontact.com/us/products/2982139>

Technical data

Product properties

Product type	Single solid-state relay
Operating mode	100% operating factor

Insulation characteristics: Standards/regulations

Overvoltage category	III
Pollution degree	2

Electrical properties

Standards/regulations

Rated insulation voltage	260 V AC
Rated surge voltage	4 kV (Basic insulation)

Input data

Nominal input voltage U_N	5 V DC
Input voltage range in reference to U_N	0.8 ... 1.2
Input voltage range	4 V DC ... 6 V DC
Switching threshold "0" signal, voltage	≤ 1.4 V
Switching threshold "1" signal voltage	≥ 3 V
Typical input current at U_N	7 mA
Typical response time	10 ms
Typical turn-off time	10 ms
Transmission frequency	10 Hz

Output data

Contact switching type	1 N/O contact
Design of digital output	electronic
Output voltage range	24 V AC ... 253 V AC
Limiting continuous current	0.75 A (see derating curve)
Maximum inrush current	30 A (10 ms)
Min. load current	10 mA
Leakage current	< 1 mA (in off state)
Phase angle $\cos \phi$ min	0.5
Max. load value	4.5 A ² s
Voltage drop at max. limiting continuous current	< 1 V
Output circuit	2-conductor floating, zero voltage switch
Protective circuit	RCV circuit; RCV circuit

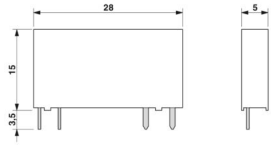
Dimensions

OPT- 5DC/230AC/ 1 - Miniature solid-state relay



2982139

<https://www.phoenixcontact.com/us/products/2982139>

Dimensional drawing	
Width	5 mm
Height	28 mm
Depth	15 mm

Material specifications

Color	black (RAL 9005)
-------	------------------

Environmental and real-life conditions

Ambient conditions

Degree of protection	RT III
Ambient temperature (operation)	-20 °C ... 60 °C
Ambient temperature (storage/transport)	-25 °C ... 75 °C

Approvals

Corrosive gas test

Identification	ISA-S71.04. G3 Harsh Group
	EN 60068-2-60

Standards and regulations

Standards/regulations

Standards/regulations	IEC 60664
	EN 50178

Mounting

Assembly note	in rows with zero spacing
Mounting position	any

OPT- 5DC/230AC/ 1 - Miniature solid-state relay

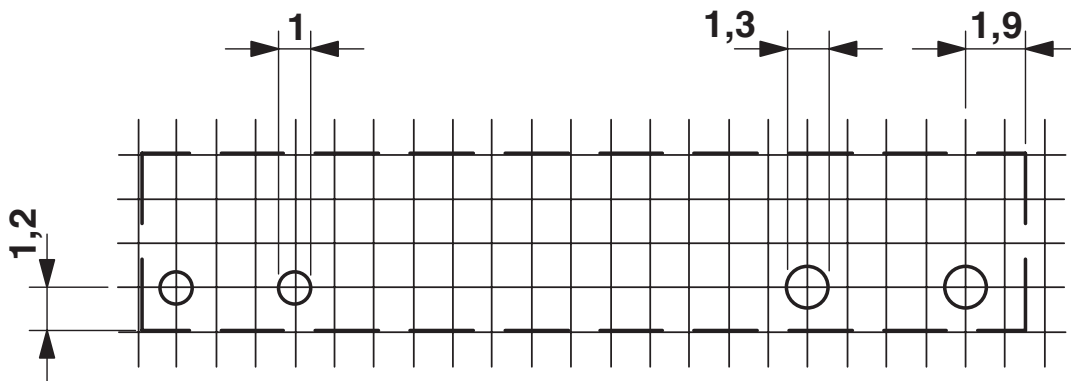


2982139

<https://www.phoenixcontact.com/us/products/2982139>

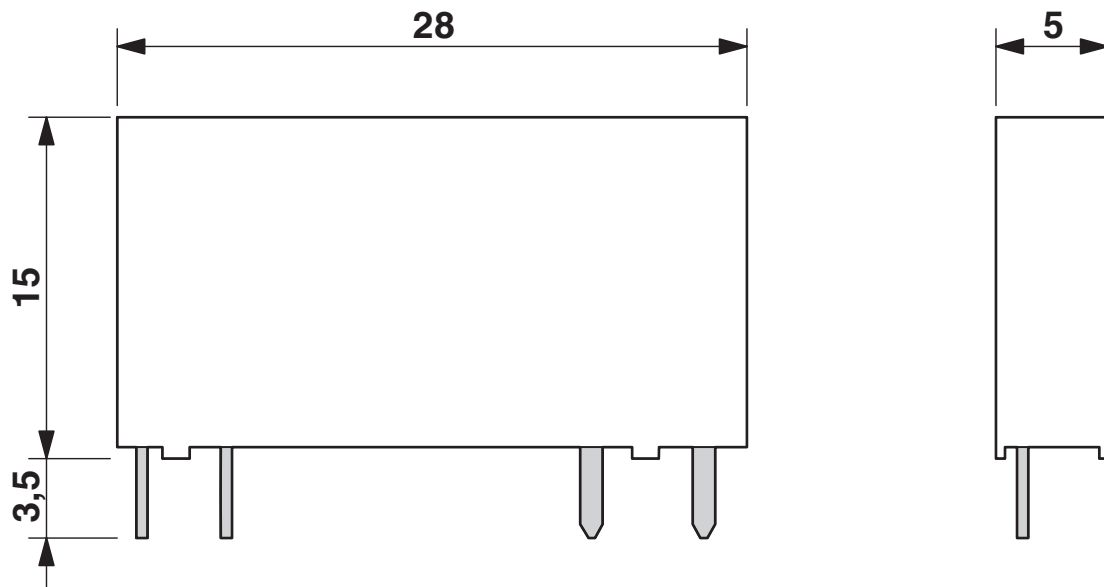
Drawings

Drilling plan/solder pad geometry



a = pitch division 1.25 mm and 1.27 mm

Dimensional drawing



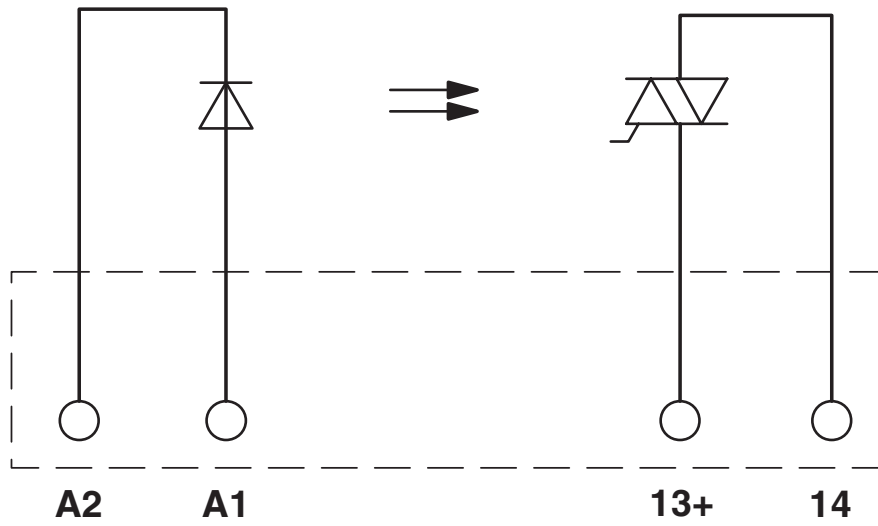
OPT- 5DC/230AC/ 1 - Miniature solid-state relay



2982139

<https://www.phoenixcontact.com/us/products/2982139>

Circuit diagram



OPT- 5DC/230AC/ 1 - Miniature solid-state relay



2982139

<https://www.phoenixcontact.com/us/products/2982139>

Approvals

To download certificates, visit the product detail page: <https://www.phoenixcontact.com/us/products/2982139>



cUL Recognized
Approval ID: FILE E 195083



UL Recognized
Approval ID: FILE E 195083



EAC
Approval ID: TR_TS_D_00573_c



EAC
Approval ID: RU*C-DE.*08.B.00010

cULus Recognized

OPT- 5DC/230AC/ 1 - Miniature solid-state relay



2982139

<https://www.phoenixcontact.com/us/products/2982139>

Classifications

ECLASS

ECLASS-11.0	27371604
ECLASS-12.0	27371604
ECLASS-13.0	27371604

ETIM

ETIM 9.0	EC001504
----------	----------

UNSPSC

UNSPSC 21.0	39122300
-------------	----------

2982139

<https://www.phoenixcontact.com/us/products/2982139>

Environmental product compliance

EU RoHS

Fulfills EU RoHS substance requirements	Yes
Exemption	7(a), 7(c)-I

China RoHS

Environment friendly use period (EFUP)	EFUP-50
	An article-related China RoHS declaration table can be found in the download area for the respective article under "Manufacturer declaration". For all articles with EFUP-E, no China RoHS declaration table issued and required.

EU REACH SVHC

REACH candidate substance (CAS No.)	Lead(CAS: 7439-92-1)
SCIP	3f76c91b-0d07-49f4-9c1d-c08fbe4e4982

OPT- 5DC/230AC/ 1 - Miniature solid-state relay



2982139

<https://www.phoenixcontact.com/us/products/2982139>

Mandatory accessories

RIF-1-BPT/2X21 - Relay base

2900931

<https://www.phoenixcontact.com/us/products/2900931>



Relay base RIF-1..., for miniature power relay with 1 or 2 changeover contacts or solid-state relays of the same design, Push-in connection, plug-in option for input/interference suppression modules, for mounting on NS 35/7,5

RIF-1-BSC/2X21 - Relay base

2900930

<https://www.phoenixcontact.com/us/products/2900930>



RIF-1... relay base, for miniature power relay with 1 or 2 changeover contacts or identical solid-state relays, screw connection, plug-in option for input/interference suppression modules, for mounting on NS 35/7,5

Phoenix Contact 2024 © - all rights reserved

<https://www.phoenixcontact.com>

Phoenix Contact USA
586 Fulling Mill Road
Middletown, PA 17057, United States
(+717) 944-1300
info@phoenixcon.com