

**IRWIN.**

*Record.*



## VICES AND ACCESSORIES

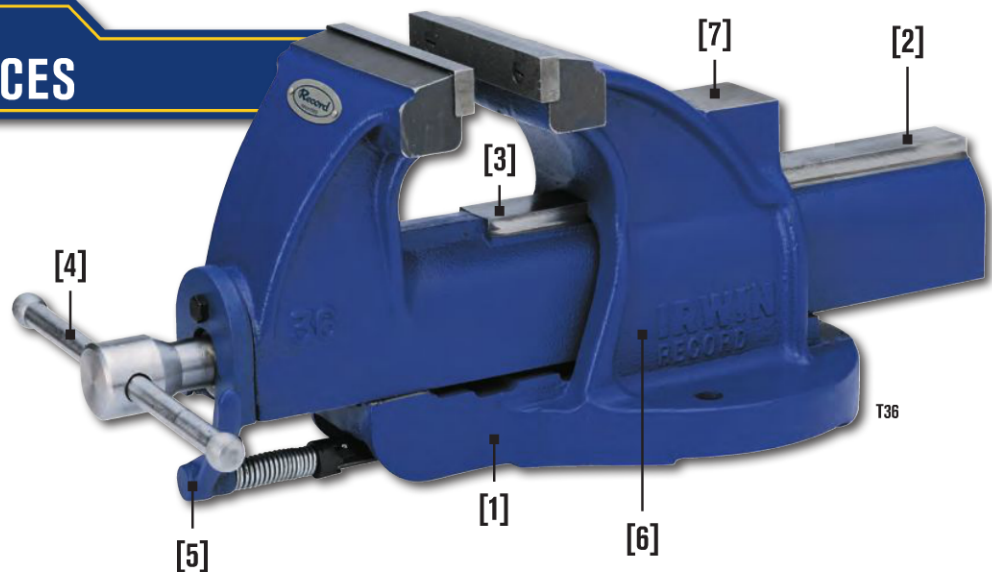
IRWIN® Record® Vices have become the benchmark by which all other vices are measured. Design, choice of materials and manufacturing disciplines each set very high standards which, for the end user, translate into safety, reliability and excellent value.

### ENGINEERS' VICE - LIFETIME VICE RANGE

Designed for heavy-duty work, these vices are made from S.G. Ductile Iron with an integral anvil for shaping and beating, together with a quick-release mechanism for rapid slide adjustment. The reinforced body and slide, large diameter main screw allow these vices with the working strength and resilience to withstand the most demanding work. Fitters' vices are similar in design to Engineers' however made of close grained gray iron instead of S.G. Ductile Iron. Full line of replacement parts available.

### ENGINEERS' AND FITTERS' VICES

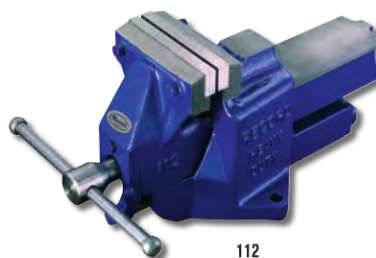
1. **IRWIN® ENGINEERS' VICES**  
Are made from S.G. Ductile Iron with high-impact resistance, guaranteeing strength and long life.
2. **SAFETY STOP**  
Prevents the slide from being separated from the body.
3. **FULLY MACHINED**  
On all load-bearing surfaces for smooth and troublefree operation.
4. **FUSED STEEL HANDLE**  
Will bend before the vice can be overstressed.
5. **QUICK-RELEASE MECHANISM**  
Disengages the main screw, allowing rapid movement of the slide.
6. **UNBREAKABLE SG IRON NUT**  
Can be replaced when worn.
7. **INTEGRAL ANVIL**



VICES



T8434



112



T25

**SPARE PARTS ALSO AVAILABLE**  
SEE PAGE 59

Item No.	Description	EAN	Master Pack	Shelf Pack
T8434	Engineers Vice 4-1/2" / 115mm**	0734442019442	42	1
T36	Engineers Vice 6" / 150mm** (Irregular Shape)	0734442019206	18	1
112	Engineers Vice 6" / 150mm**	0734442019565	22	1
114ZR	Engineers Vice 8" / 205mm**	0734442019688	22	1
23ZR	Fitters Vice 4-1/2" / 115mm	0734442001089	28	1
T25	Fitters Vice 6" / 150mm	0734442001201	22	1

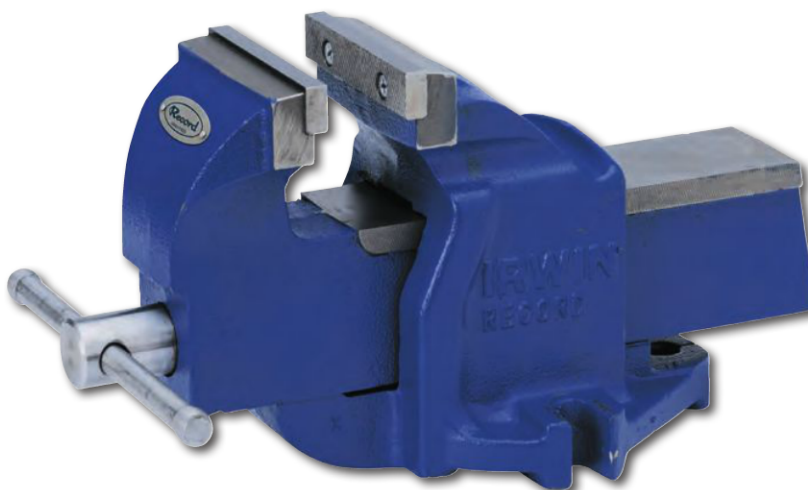
\*\*S.G. Ductile Iron is strong and flexible with similar characteristics to steel and is virtually unbreakable. Heavy duty vices manufactured from this material are designed to take much more punishing workloads than normal vices.

### MECHANICS' VICE - HEAVY DUTY RANGE

Rigid and robust, the body and sliding jaw are cast from close grained grey iron which is machined on all friction surfaces for a smooth reliable action. The jaws, handle and main screw are steel, the latter having a two-start rolled acme thread to speed the jaws from fully closed to fully open with a minimum of winding. The most commonly used vice in the IRWIN® range. Full line of replacement parts available.

**Body and sliding jaw** are cast from close grained grey iron which is machined on all friction surfaces for a smooth reliable action  
**Safety stop** prevents the slide from being separated from the body  
**Replaceable hardened steel jaws**  
**Unbreakable SG iron nut** can be replaced when worn  
**Fused steel handle** will bend before the vice can be overstressed

**SPARE PARTS ALSO AVAILABLE SEE PAGE 59**



Item No.	Description	EAN	Master Pack	Shelf Pack
1ZR	No 1, Mechanics' Vice 3" / 75mm	0734442000129	144	1
3	No 3, Mechanics' Vice 4" / 100mm	0734442000488	60	1
4ZR	No 4, Mechanics' Vice 4-1/2" / 115mm	0734442000501	40	1
5	No 5, Mechanics' Vice 5" / 125mm	0734442000723	40	1
6	No 6, Mechanics' Vice 6" / 150mm	0734442000846	32	1
8ZR	No 8, Mechanics' Vice 8" / 205mm	0734442000969	24	1

### WORKSHOP VICES - MEDIUM DUTY

Strong and durable, the body and sliding jaw are cast from close-grained grey iron which is machined on all friction surfaces for a smooth reliable action. The jaws, handle and main screw are steel, the latter having a two-start rolled acme thread to speed the jaws from fully closed to fully open with a minimum of winding. This compact bench vice with anvil is specifically designed for medium-duty workshop applications for both the professional craftsman and the DIY enthusiast who expect a compact vice with superior clamping force, safety features and excellent finish.

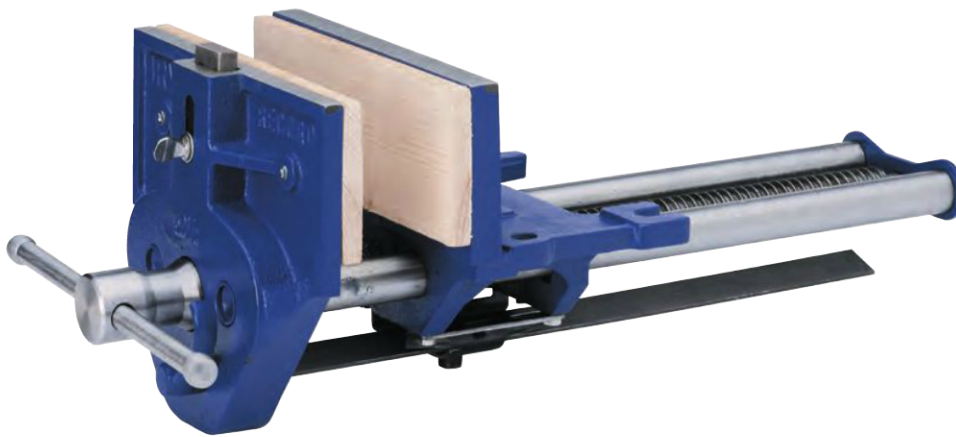


Item No.	Description	EAN	Master Pack	Shelf Pack
10507771	Workshop Vice with Anvil, 3-1/8" / 80mm	5706915077711	1	1
T41211000	Workshop Vice with Anvil, 1 TON, 4" / 100mm	0734442000204	105	1
T3TON3VS	Workshop Vice with Anvil, Swivel Base, 4" / 100mm	0734442000310	60	1
4935505	Workshop Multi-Vice, with Anvil, Swivel Base, 5" / 125mm	0038548989990	40	1
T6TON6VS	Workshop Vice with Anvil, Swivel Base, 6" / 150mm	0734442000860	40	1



## QUICK-RELEASE WOODWORKING VICE

Squeeze the trigger and a quick-release vice can be opened and closed without using the mainscrew. Large and small work pieces can be quickly interchanged, while releasing the trigger returns the mechanism to normal for fine adjustment. An ideal addition to the engineering workshop or tool room. For clamping and holding wood work pieces.



**Two steel guide rods** to reduce wear and ensure a smooth parallel action

**Jaws "toe in"** so that when pressure is applied they give an even clamping over the whole depth of the work piece

**Adjustable dog** used in conjunction with bench stops fitted into the bench top

**Location holes are provided** so you can fit your own choice of wooden cheeks to protect the work piece

**Squeeze the trigger** and a quick release vice can be opened and closed without using the mainscrew. Large and small work pieces can be quickly interchanged



## PROFESSIONAL QUICK-RELEASE WOODWORKING VICES

Item No.	Description	EAN	Master Pack	Shelf Pack
T52ED	Woodworking Vice - Quick-Release 7"/175mm	0734442030249	60	1
T5212ED	Woodworking Vice - Quick-Release 9"/230mm	0734442030362	32	1
T53ED	Woodworking Vice - Quick-Release 10-1/2"/265mm	0734442030010	24	1

## PLAIN SCREW VICES

Manufactured in three capacities, these full size workshop vices are designed for bench mounting. The cast grey iron body and front plate are precision machined to house two solid steel guide rods giving the vice a smooth, true parallel action free of side or cross movement.

Item No.	Description	EAN	Master Pack	Shelf Pack
T52PD	Woodworking Vice - Plain Screw 7"/175mm	0734442047889	60	1
T5212PD	Woodworking Vice - Plain Screw 9"/230mm	0734442047896	32	1
T53PD	Woodworking Vice - Plain Screw 10-1/2"/265mm	0734442030133	24	1

## WOODCRAFT VICE

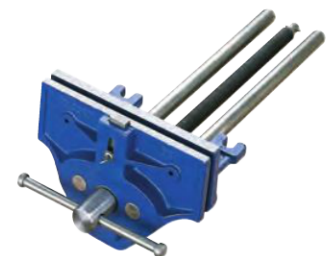
Lightweight vice for the young woodworker, or home handyman. Provides a robust product suitable for the professional who needs a compact vice for smaller work. Designed to be fitted under the work bench, in the normal way, so that the jaws are flush with the bench top. TV150B includes table clamp.

Item No.	Description	EAN	Master Pack	Shelf Pack
TV149B	Woodcraft Vice 6"/150mm	0734442029656	-	1
TV150B	Woodcraft Vice with Table Clamp 6"/150mm	0734442029779	-	1
TV175B	Woodcraft Vice 7"/175mm	0734442029885	-	1

## TABLE VICE

This is an ideal portable vice for the amateur and model maker. The built-in clamp allows it to be easily and quickly attached to a bench, table or work surface. Pipe grips are incorporated below the parallel jaws. A useful anvil is also included on the rear of the body. An ideal portable vice for DIY and model making.

Item No.	Description	EAN	Master Pack	Shelf Pack
TV75B	Table Vice 75mm	0734442001690	-	1



VICES

### DRILL PRESS VICE

Quality and precision are the hallmarks of these IRWIN® Record® Drill Press Vices, an ideal addition to the engineering workshop or tool room. Designed for use with drill presses and pillar drills.



Item No.	Description	EAN	Master Pack	Shelf Pack
T414	Drill Press Vice 4" / 100mm	0734442001560	-	1

### SWIVEL BASES

360 degree swivel bases are used to rotate and lock the vice at the most convenient angle.



Item No.	Description	EAN	Master Pack	Shelf Pack
T1SB	Swivel Base, (No. 1 Vice)	0734442002888	-	1
T3SB	Swivel Base, (No. 3 Vice)	0734442003007	-	1
T4SB	Swivel Base, (No. 4 & 5 Vice)	0734442003120	-	1
T6SB	Swivel Base, (No. 6, 8, 25 & 36 Vices)	0734442003366	-	1
T843423SB	Swivel Base, (No. T8434 & 23ZR Vices)	0734442019459	-	1
10507772	Swivel Base, (No. 10507771)	5706915077728	-	1

### FIBRE GRIPS

Designed for holding & protecting copper, aluminium, brass and similar soft metals.



Item No.	Description	EAN	Master Pack	Shelf Pack
FG3	Fibre Grips 3" / 75mm	0734442001928	60	6
FG4	Fibre Grips 4" / 100mm	0734442002161	60	6
FG412	Fibre Grips 4-1/2" / 114mm	0734442002406	60	6
FG5	Fibre Grips 5" / 125mm	0734442002529	60	6
FG6	Fibre Grips 6" / 150mm	0734442002765	60	6

### CHAIN PIPE VICES

The chain pipe vice generates a powerful grip due to its sturdy construction. The drop-forged, heat-treated steel jaws and high-tensile steel chain are mounted on a body cast from ductile iron that is guaranteed unbreakable. The flexible chain means the vice is compact and easy to store when not in use.



**SPARE PARTS ALSO AVAILABLE SEE PAGE 60**

Item No.	Description	EAN	Master Pack	Shelf Pack
T181C	Chain Pipe Vice 1/8" - 2" (3 - 50mm)	0734442143161	-	1
T182C	Chain Pipe Vice 1/4" - 4" (6 - 100mm)	0734442143284	-	1
T183C	Chain Pipe Vice 1/2" - 8" (12 - 200mm)	0734442143406	-	1

### HINGED PIPE VICES



Item No.	Description	EAN	Master Pack	Shelf Pack
T92C	Hinged Pipe Vice 1/8" - 2" (3 - 50mm)	0734442143529	-	1
T9212C	Hinged Pipe Vice 1/8" - 2-1/2" (3 - 60mm)	0734442143642	-	1
T9312C	Hinged Pipe Vice 1/8" - 3-1/2" (3 - 90mm)	0734442143765	-	1
T96	Hinged Pipe Vice 1/8" - 6" (3 - 150mm)	0734442143888	-	1

### TRIPOD STAND

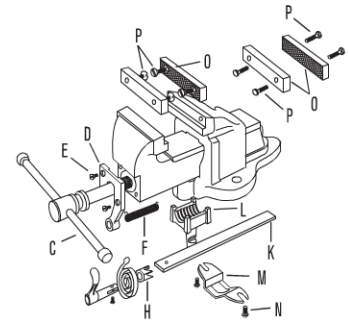
The durable fabricated steel frame, topped by a strong heavy-gauge mounting plate, is drilled to accept our range of chain and hinged pipe vices.



Item No.	Description	EAN	Master Pack	Shelf Pack
TTS10	Tripod Stand for Hinged Pipe Vice & Chain Pipe Vice (T182C, T92C, T9212C)	0734442142560	-	1

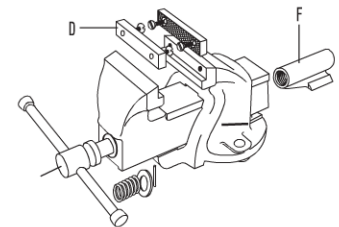
## T23 - T25 FITTERS T36 - T84-34 ENGINEERS T112 - T114 HD VICES

Item No.	Description	EAN	Master Pack	Shelf Pack
T23C	Mainscrew with Handle (C), Nut (L), Nut Guide (M), & Screws (N)	0734442010920	-	1
T25C	Mainscrew with Handle (C), Nut (L), Nut Guide (M), & Screws (N)	0734442012603	-	1
T112C	Mainscrew with Handle (C), Nut (L), Nut Guide (M), & Screws (N)	0734442025207	-	1
T114C	Mainscrew with Handle (C), Nut (L), Nut Guide (M), & Screws (N)	0734442025924	-	1
T36C	Mainscrew with Handle (C), Nut (L), Nut Guide (M), & Screws (N)	0734442021841	-	1
84C	Mainscrew with Handle (C), Nut (L), Nut Guide (M), & Screws (N)	0734442023647	-	1
T23DK	Trigger Complete	0734442011408	-	1
T25DK	Trigger Complete	0734442012962	-	1
T112DK	Trigger Complete	0734442025801	-	1
T114DK	Trigger Complete	0734442026402	-	1
T36DK	Trigger Complete	0734442022329	-	1
T84DK	Trigger Complete	0734442024002	-	1
T23L	Half Nut (L), Guide (M) & Screws (N)	0734442011163	-	1
T25L	Half Nut (L), Guide (M) & Screws (N)	0734442012849	-	1
T112L	Half Nut (L), Guide (M) & Screws (N)	0734442025443	-	1
T114L	Half Nut (L), Guide (M) & Screws (N)	0734442026167	-	1
T36L	Half Nut (L), Guide (M) & Screws (N)	0734442022084	-	1
T84L	Half Nut (L), Guide (M) & Screws (N)	0734442022688	-	1
T230	Jaw Plates (pair) with Screws (P)	0734442011286	-	1
T250	Jaw Plates (pair) with Screws (P)	0734442011521	-	1
T1120	Jaw Plates (pair) with Screws (P)	0734442025566	-	1
T1140	Jaw Plates (pair) with Screws (P)	0734442026280	-	1
T360	Jaw Plates (pair) with Screws (P)	0734442022206	-	1
T840	Jaw Plates (pair) with Screws (P)	0734442023883	-	1



## T1 - T8 MECHANICS' VICES

Item No.	Description	EAN	Master Pack	Shelf Pack
T1C	Mainscrew with Handle, Nut, Pin, Spring Washer & Pin (C) & (F)	0734442004561	-	1
T3C	Mainscrew with Handle, Nut, Pin, Spring Washer & Pin (C) & (F)	0734442006121	-	1
T4C	Mainscrew with Handle, Nut, Pin, Spring Washer & Pin (C) & (F)	0734442006961	-	1
T5C	Mainscrew with Handle, Nut, Pin, Spring Washer & Pin (C) & (F)	0734442007807	-	1
T6C	Mainscrew with Handle, Nut, Pin, Spring Washer & Pin (C) & (F)	0734442008521	-	1
T8C	Mainscrew with Handle, Nut, Pin, Spring Washer & Pin (C) & (F)	0734442009009	-	1
T1D	Pair of Jaw Plates with Screws	0734442004684	-	1
T3D	Pair of Jaw Plates with Screws	0734442006244	-	1
T4D	Pair of Jaw Plates with Screws	0734442007081	-	1
T5D	Pair of Jaw Plates with Screws	0734442007920	-	1
T6D	Pair of Jaw Plates with Screws	0734442008644	-	1
T8D	Pair of Jaw Plates with Screws	0734442009481	-	1

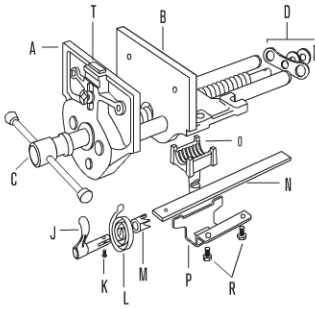


SPARE PARTS

## T400300 PIPE VICE

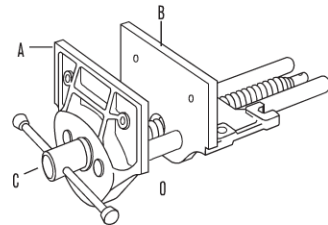
Item No.	Description	EAN	Master Pack	Shelf Pack
T661053	Pipe vice jaws complete with nuts and washers for T400300		-	1

### T52 - T53 QUICK-RELEASE VICES



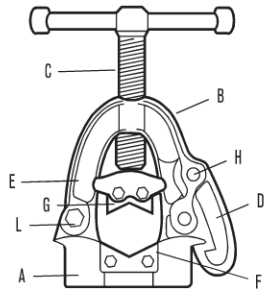
Item No.	Description	EAN	Master Pack	Shelf Pack
T52EDA	Sliding Jaw (A)	0734442037323	-	1
T5212EDA	Sliding Jaw (A)	0734442038528	-	1
T53EDA	Sliding Jaw (A)	0734442009955	-	1
T52EDC	Main Screw with Handle & Washers (E), Pin (F), Nut (O)	0734442037569	-	1
T5212EDC	Main Screw with Handle & Washers (E), Pin (F), Nut (O)	0734442038764	-	1
T53EDC	Main Screw with Handle & Washers (E), Pin (F), Nut (O)	0734442009962	-	1
T52EDD	End Bracket with End Washers & Pin (F)	0734442037682	-	1
T5212EDD	End Bracket with End Washers & Pin (F), also fits T53ED	0734442038887	-	1
T52EDJN	Trigger Complete	0734442038405	-	1
T5212EDJN	Trigger Complete (also fits T53ED)	0734442039488	-	1
T52EDL	Trigger Spring & Nut (fits all sizes)	0734442038047	-	1
T52EDO	Nut with Nut Guide & Screws	0734442038160	-	1
T5212EDO	Nut with Nut Guide & Screws (also fits T53ED)	0734442038242	-	1
T52EDT	Front Dog with Screws & Washers (fits all sizes)	0734442040927	-	1

### T52 - T53 PLAIN SCREW VICES



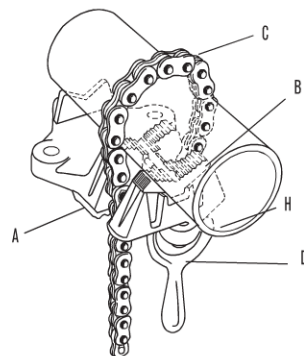
Item No.	Description	EAN	Master Pack	Shelf Pack
T52PDC	Mainscrew with Handle & Pin (F) & Nut (O)	0734442047902	-	1
T5212PDC	Mainscrew with Handle & Pin (F) & Nut (O)	0734442009924	-	1
T53PDC	Mainscrew with Handle & Pin (F) & Nut (O)	0734442009979	-	1
T52PDO	Nut	0734442009948	-	1
T5212PDO	Nut (also fits T53PD)	0734442009931	-	1

### T92C - T93-1/2C & T96 HINGED PIPE VICES



Item No.	Description	EAN	Master Pack	Shelf Pack
T92CC	Main Screw with Handle	0734442160564	-	1
T9212CC	Main Screw with Handle	0734442163442	-	1
T92CD	Locking Hook & Rivet (H)	0734442160687	-	1
T9212CD	Locking Hook & Rivet (H)	0734442163565	-	1
T92CE	Jaw Clamp (Per Pair)	0734442160809	-	1
T9312CE	Jaw Clamp (Per Pair)	0734442166320	-	1
T92CF	Lower Jaws (Pair) with Bolts & Nuts	0734442160922	-	1
T9312CF	Lower Jaws (Pair) with Bolts & Nuts	0734442165484	-	1
T96F	Lower Jaws (Pair) with Bolts & Nuts	0734442168720	-	1
T92CG	Upper Jaws with Bolts & Nuts	0734442162247	-	1
T9312CG	Upper Jaws with Bolts & Nuts	0734442165606	-	1
T96G	Upper Jaws with Bolts & Nuts	0734442168843	-	1

### T181C, T182C, T183C CHAIN PATTERN PIPE VICES



Item No.	Description	EAN	Master Pack	Shelf Pack
T181CA	Base	0734442156369	-	1
T182CA	Base	0734442156840	-	1
T183CA	Base	0734442157328	-	1
T181CB	Jaw Unit with Bolt	0734442159001	-	1
T182CB	Jaw Unit with Bolt	0734442156963	-	1
T183CB	Jaw Unit with Bolt	0734442157441	-	1
T182CC	Chain with Screw	0734442157083	-	1
T183CC	Chain with Screw	0734442159124	-	1
T181CD	Handle with Nut	0734442156727	-	1
T182CD	Handle with Nut	0734442157205	-	1
T183CD	Handle with Nut	0734442157564	-	1