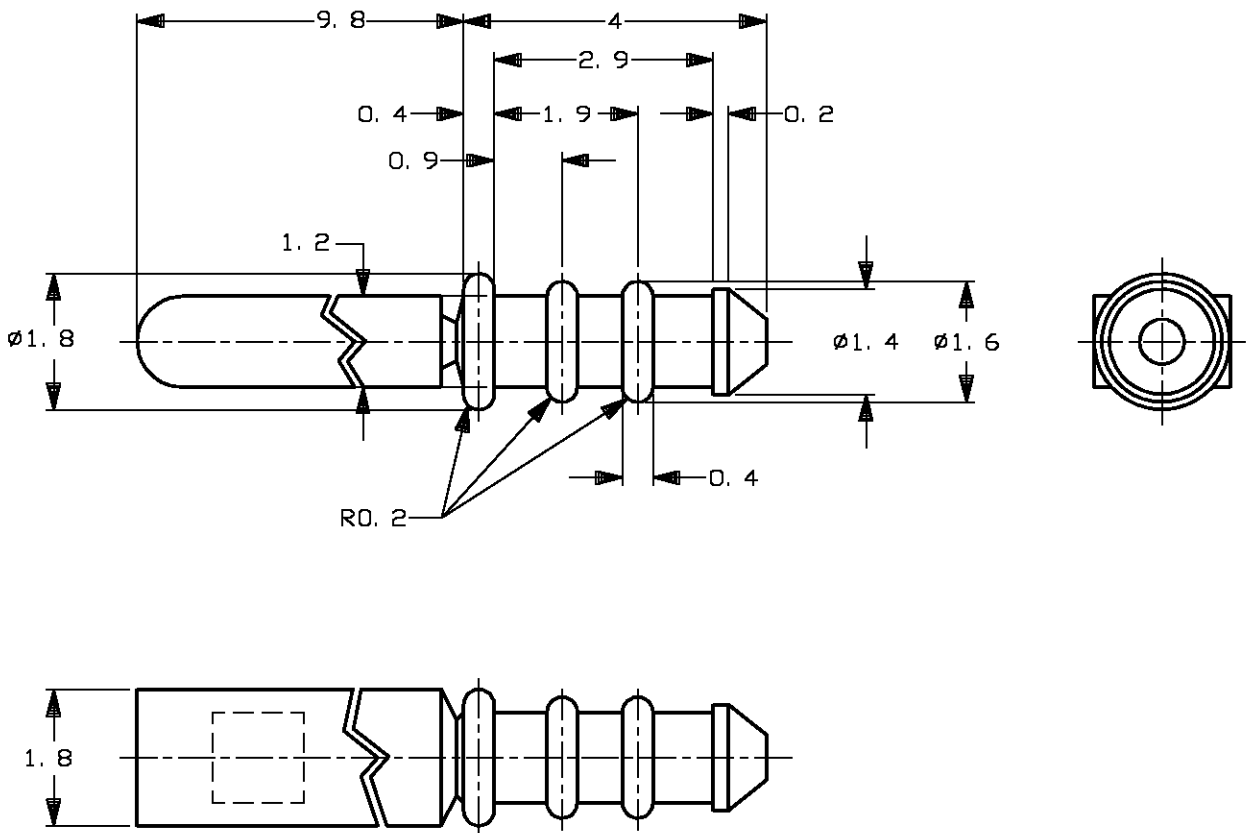


LOC J	DIST —	REVISIONS 変更			DATE	DWN	APVD
P	LTR	DESCRIPTION	DATE	DWN	APVD		
	B1	REVISED	ECR-08-022317	04SEP08	TS	KB	

-7: AS SHOWN  
-7: 本図



THIS DRAWING IS UNPUBLISHED. ALL RIGHTS RESERVED. BY TYCO ELECTRONICS CORPORATION.

TOLERANCES UNLESS OTHERWISE SPECIFIED:  
一般公差

10 ≥	±0.2
30 ≥ > 10	±0.25
100 ≥ > 30	±0.3
ANGLE	±0.3°

DIMENSIONS: 単位: 特 mm	DWN T.SHINOHARA	270CT06	MATERIAL 材料	PBT, COLOR: YELLOW	FINISH 仕上	—	
	CHK K.BETSUI	270CT06	Tyco Electronics Corporation Kawasaki, Japan				
TOLERANCES UNLESS OTHERWISE SPECIFIED: 一般公差	APVD K.BETSUI	270CT06					NAME 名称
	0 PLC ± — 1 PLC ± — 2 PLC ± — 3 PLC ± — 4 PLC ± — ANGLES ± —	PRODUCT SPEC 製品規格 108-5426	APPLICATION SPEC 取付適用規格 114-5193	SIZE	CAGE CODE	DRAWING NO 番号	RESTRICTED TO
	WEIGHT	0.01 g	A4	00779	316390	—	
CUSTOMER DRAWING			SCALE 尺度	10:1	SHEET	1 of 1	
						REV	B1