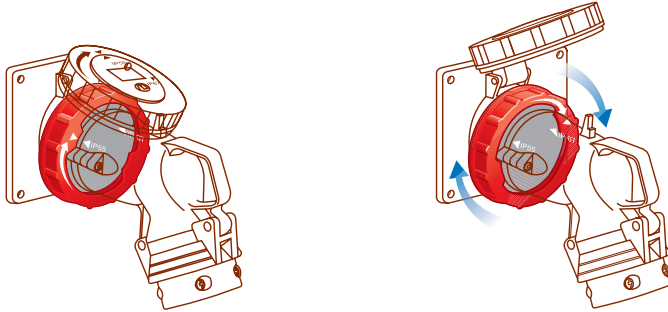


IP 66/67 - 55 IEC pin sockets

Cat. No(s): 0 511 06/07/10/11/25/26/27/30/31/46/47/50/51/55/56/57/60/61
0 511 75/76/77/80/81/85/86/87/90/91 - 0 520 29 - 0 522 29/89 - 0 529 26/36/
0 529 40/46/86/90 - 0 530 06/07/10/11/45/46/47/50/51/56/57/60/61/75/76/77/80
0 530 81/85/86/87/90/91 - 0 538 89 - 0 593 26/27/36/37/46/47/76/86/87
0 594 27/28/29/37/38/47/48/49/77/78 - 0 538 87/88 - 0 595 02/03/12/13/22/23/32
0 595 33/42/43/44/45 - 6 581 01/03/13/31/36 - 6 582 05/15/25



CONTENTS

Pages

| | |
|------------------------------------|-----|
| 1. General characteristics | 1 |
| 2. Range | 1-2 |
| 3. Dimensions | 3-6 |
| 4. Technical characteristics | 6 |
| 5. Wiring | 7 |
| 6. Use | 7 |
| 7. Wiring diagram | 8 |
| 8. Standards and decree | 8 |

1. GENERAL CHARACTERISTICS

- **Connected** IP 55 guaranteed with flap closed⁽¹⁾ on the plug
- **Unconnected** IP 55 guaranteed when flap is closed⁽¹⁾
- **Connected and unconnected** IP 66/67 obtained by locking the ring⁽¹⁾
- Material: plastic
- IK 09
- In order to facilitate the installation of the new range and maintenance of the existing IP 67 stock, the Hypra IP 66/67 - 55 sockets are provided with:
 - identical single fixing centres
 - a design differentiated by using reverse colours.
- Captive slotted connecting screws.
- Captive external screws, stainless steel.

⁽¹⁾With a couple of IP 66/67 - 55 products

2. RANGE

Classic inclined panel mounting sockets.

| Voltage | Current | Configuration | Product Code |
|----------------------------|-------------|---------------|--------------|
| 100 to 130 V | 16 A | 2 P + E | 0 511 25 |
| 200 to 250 V | 16 A | 2 P + E | 0 511 26 |
| | | 3 P + E | 0 511 27 |
| 380 to 415 V | 63 A | 2 P + E | 0 593 26 |
| | | 3 P + E | 0 593 27 |
| | 16 A | 3 P + E | 0 511 30 |
| | | 3 P + N + E | 0 511 31 |
| 63 A | 3 P + E | 0 594 27 | |
| | 3 P + N + E | 0 594 28 | |
| 125 A | 3 P + E | 0 595 12 | |
| | 3 P + N + E | 0 595 13 | |
| 440 to 460 V earth at 11 h | 16 A | 3 P + E | 6 581 31 |
| | 63 A | 3 P + E | 6 582 25 |
| 480 to 500 V | 63 A | 3 P + E | 0 594 29 |

Box to combine with classic inclined panel mounting sockets to obtain a surface mounting socket.

| Current | Configuration | Simple box | Through wiring box |
|---------|---------------|------------|--------------------|
| 16 A | 2 P + E | 0 520 29 | 0 520 89 |
| 16 A | 3 P + E | 0 522 29 | 0 522 89 |
| 16 A | 3 P + N + E | 0 522 29 | 0 522 89 |
| 63 A | 2 P + E | | 0 538 89 |
| | 3 P + E | | |
| | 3 P + N + E | | |

2. RANGE (continued)

Panel mounting sockets with single fixing centres.

| Voltage | Current | Configuration | Product Code |
|----------------------------|---------|---------------|--------------|
| 200 to 250 V | 16 A | 2 P + E | 0 511 46 |
| | | 3 P + E | 0 511 47 |
| | 32 A | 2 P + E | 0 530 46 |
| | | 3 P + E | 0 530 47 |
| 380 to 415 V | 16 A | 3 P + E | 0 511 50 |
| | | 3 P + N + E | 0 511 51 |
| | 32 A | 3 P + E | 0 530 50 |
| | | 3 P + N + E | 0 530 51 |
| 440 V earth at 3 h | 32 A | 3 P + E | 0 529 26 |
| 440 to 460 V earth at 11 h | 32 A | 3 P + E | 6 581 36 |

Nb : The inclined panel mounting sockets with single fixing centres 16 A can't be fixed on box.

Box to combine with 32 A panel mounting sockets with single fixing centres.

| Current | Configuration | Simple box | Through wiring box |
|---------|---------------|------------|--------------------|
| 32 A | 2 P + E | 0 529 40 | 0 529 90 |
| | 3 P + E | | |
| | 3 P + N + E | | |

Surface mounting socket.

| Voltage | Current | Configuration | Product Code |
|--------------|---------|---------------|--------------|
| 200 to 250 V | 63 A | 2 P + E | 0 593 36 |
| | | 3 P + E | 0 593 37 |
| | | 3 P + N + E | 0 594 37 |
| 380 to 415 V | 125 A | 3 P + N + E | 0 594 38 |
| | | 3 P + E | 0 595 02 |
| | | 3 P + N + E | 0 595 03 |

IP 66/67 - 55 IEC pin sockets

Cat. No(s): 0 511 06/07/10/11/25/26/27/30/31/46/47/50/51/55/56/57/60/61
 0 511 75/76/77/80/81/85/86/87/90/91 - 0 520 29 - 0 522 29/89 - 0 529 26/36/
 0 529 40/46/86/90 - 0 530 06/07/10/11/45/46/47/50/51/56/57/60/61/75/76/77/80
 0 530 81/85/86/87/90/91 - 0 538 89 - 0 593 26/27/36/37/46/47/76/86/87
 0 594 27/28/29/37/38/47/48/49/77/78 - 0 538 87/88 - 0 595 02/03/12/13/22/23/32
 0 595 33/42/43/44/45 - 6 581 01/03/13/31/36 - 6 582 05/15/25

2. RANGE (continued)

Straight plugs.

| | | | | |
|----------------|-------------------------------|-------------|----------|----------|
| 100 to 130 V | 16 A | 2 P + E | 0 511 55 | |
| 200 to 250 V | 16 A | 2 P + E | 0 511 56 | |
| | | 3 P + E | 0 511 57 | |
| | | 2 P + E | 0 530 56 | |
| | 32 A | 3 P + E | 0 530 57 | |
| | | 2 P + E | 0 593 46 | |
| | 63 A | 3 P + E | 0 593 47 | |
| 380 to 415 V | 16 A | 3 P + E | 0 511 60 | |
| | | 3 P + N + E | 0 511 61 | |
| | 32 A | 3 P + E | 0 530 60 | |
| | | 3 P + N + E | 0 530 61 | |
| | 63 A | 3 P + E | 0 594 47 | |
| | | 3 P + N + E | 0 594 48 | |
| | 125 A | 3 P + E | 0 595 22 | |
| | | 3 P + N + E | 0 595 23 | |
| | 440 V earth at 3 h | 32 A | 3 P + E | 0 529 46 |
| | 440 to 460 V earth at 11 h | 16 A | 3 P + E | 6 581 01 |
| 32 A | | 3 P + E | 6 581 03 | |
| 63 A | | 3 P + E | 6 582 05 | |
| 480 V to 500 V | 63 A | 3 P + E | 0 594 49 | |

Angled plugs.

| | | | |
|--------------|------|-------------|----------|
| 200 to 250 V | 16 A | 2 P + E | 0 511 06 |
| | | 3 P + E | 0 511 07 |
| | 32 A | 2 P + E | 0 530 06 |
| 380 to 415 V | 16 A | 3 P + E | 0 511 10 |
| | | 3 P + N + E | 0 511 11 |
| | 32 A | 3 P + E | 0 530 10 |
| | | 3 P + N + E | 0 530 11 |

2. RANGE (continued)

Mobile sockets.

| | | | | |
|--------------|-------------------------------|-------------|----------|----------|
| 100 to 130 V | 16 A | 2 P + E | 0 511 75 | |
| 200 to 250 V | 16 A | 2 P + E | 0 511 76 | |
| | | 3 P + E | 0 511 77 | |
| | | 2 P + E | 0 530 76 | |
| | 32 A | 3 P + E | 0 530 77 | |
| | | 2 P + E | 0 593 86 | |
| | 63 A | 3 P + E | 0 593 87 | |
| 380 to 415 V | 16 A | 3 P + E | 0 511 80 | |
| | | 3 P + N + E | 0 511 81 | |
| | 32 A | 3 P + E | 0 530 80 | |
| | | 3 P + N + E | 0 530 81 | |
| | 63 A | 3 P + E | 0 594 87 | |
| | | 3 P + N + E | 0 594 88 | |
| | 125 A | 3 P + E | 0 595 32 | |
| | | 3 P + N + E | 0 595 33 | |
| | 440 V earth at 3 h | 32 A | 3 P + E | 0 529 86 |
| | 440 to 460 V earth at 11 h | 16 A | 3 P + E | 6 581 11 |
| 32 A | | 3 P + E | 6 581 13 | |
| 63 A | | 3 P + E | 6 582 15 | |

Inclined surface appliance inlet.

| | | | |
|-----------------------|-------|-------------|----------|
| 200 to 250 V | 16 A | 2 P + E | 0 511 86 |
| | 32 A | 2 P + E | 0 530 86 |
| 380 to 415 V | 16 A | 3 P + E | 0 511 90 |
| | | 3 P + N + E | 0 511 91 |
| | 32 A | 3 P + E | 0 530 90 |
| | | 3 P + N + E | 0 530 91 |
| | 125 A | 3 P + E | 0 595 44 |
| | | 3 P + N + E | 0 595 45 |
| 440 V earth at 3 h | 32 A | 3 P + E | 0 529 36 |

Straight panel appliance inlet.

| | | | |
|--------------|-------|-------------|----------|
| 200 to 250 V | 63 A | 2 P + E | 0 593 76 |
| 380 to 415 V | 63 A | 3 P + E | 0 594 77 |
| | | 3 P + N + E | 0 594 78 |
| | 125 A | 3 P + E | 0 595 42 |
| | | 3 P + N + E | 0 595 43 |

Nb : The straight panel appliance inlets 63 A can be fixed on the box 0 538 89 to obtain a straight surface appliance inlet.

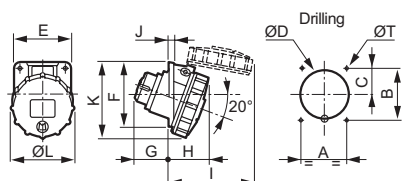
IP 66/67 - 55 IEC pin sockets

Cat. No(s): 0 511 06/07/10/11/25/26/27/30/31/46/47/50/51/55/56/57/60/61
 0 511 75/76/77/80/81/85/86/87/90/91 - 0 520 29 - 0 522 29/89 - 0 529 26/36/
 0 529 40/46/86/90 - 0 530 06/07/10/11/45/46/47/50/51/56/57/60/61/75/76/77/80
 0 530 81/85/86/87/90/91 - 0 538 89 - 0 593 26/27/36/37/46/47/76/86/87
 0 594 27/28/29/37/38/47/48/49/77/78 - 0 538 87/88 - 0 595 02/03/12/13/22/23/32
 0 595 33/42/43/44/45 - 6 581 01/03/13/31/36 - 6 582 05/15/25

3. DIMENSIONS

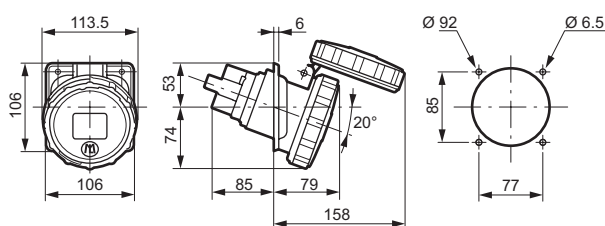
Classic inclined panel mounting sockets

IP 66/67 - 55, LV 16 A



| | Weight kg | A | B | C | ØD | ØT | E | F | G | H | I | J | K | ØL |
|--------|--------------|----|----|----|------|-----|----|----|----|----|-----|-----|----|------|
| 2P+E | 0.140 | 52 | 60 | 33 | 55 | 4.2 | 64 | 72 | 40 | 45 | 91 | 5.5 | 87 | 72.5 |
| 3P+E | 0.165 | 60 | 70 | 39 | 63.5 | 5.2 | 74 | 84 | 41 | 48 | 102 | 5.5 | 96 | 81 |
| 3P+N+E | 0.195 | 60 | 70 | 37 | 70.6 | 5.2 | 80 | 84 | 42 | 50 | 106 | 5.5 | 96 | 86.5 |

IP 66/67 - 55, BT 63 A



3. DIMENSIONS (continued)

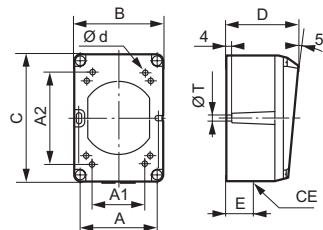
Simple box

Cat. Nos 0 520 29 - 0 522 29

Receive the classic inclined 16 A panel mounting sockets to realise a simple surface mounting socket.

CE on top or bottom face by reversing the box.

Equipped with 2 connected earth terminals.



A1 and A2: resealable optional internal fixing points.

| | Weight kg | A1 | A2 | Ød | A | A3 | ØT | B | C | D | E | CE |
|---------------|--------------|----|----|-----|----|----|-----|----|-----|----|----|-----|
| 2P+E | 0.115 | 51 | 68 | 4,2 | 64 | - | 5,3 | 74 | 106 | 58 | 20 | M20 |
| 3P+E / 3P+N+E | 0.160 | 68 | 68 | 4,2 | 85 | - | 5,3 | 96 | 122 | 60 | 22 | M20 |

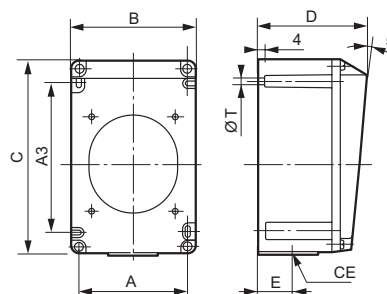
Simple box

Cat. No. 0 529 40

Receive the 32 A panel mounting sockets with single fixing centres to realise a simple surface mounting socket.

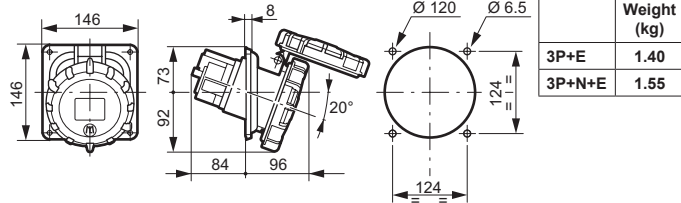
CE on top or bottom face by reversing the box.

Equipped with 2 connected earth terminals.



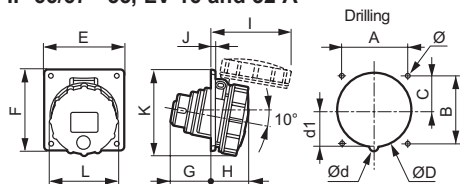
| | Weight kg | A1 | A2 | Ød | A | A3 | ØT | B | C | D | E | CE |
|----------------------|--------------|----|----|----|----|-----|-----|-----|-----|----|----|-----|
| 2P+E / 3P+E / 3P+N+E | 0.340 | - | - | - | 90 | 125 | 5,3 | 102 | 162 | 90 | 26 | M25 |

IP 66/67 - 55, BT 125 A



Panel mounting sockets with single fixing centres

IP 66/67 - 55, LV 16 and 32 A



| | Weight kg | A | B | C | ØD | Ød | d1 | Ø | E | F | G | H | I | J | K | ØL |
|----------------|--------------|----|----|----|------|----|----|-----|----|----|----|----|-----|-----|-----|------|
| LV 16 A | | | | | | | | | | | | | | | | |
| 2P+E | 0.140 | 70 | 70 | 35 | 76.2 | - | - | 4.2 | 84 | 84 | 42 | 39 | 83 | 4.5 | 90 | 72.5 |
| 3P+E | 0.165 | 70 | 70 | 35 | 76.2 | - | - | 4.2 | 84 | 84 | 43 | 41 | 98 | 4.5 | 93 | 81 |
| 3P+N+E | 0.195 | 70 | 70 | 35 | 76.2 | - | - | 4.2 | 84 | 84 | 43 | 41 | 99 | 4.5 | 91 | 86.5 |
| LV 32 A | | | | | | | | | | | | | | | | |
| 2P+E/ 3P+E | 0.240 | 70 | 70 | 35 | 76.2 | - | - | 4.2 | 84 | 94 | 54 | 50 | 113 | 4.5 | 101 | 94.5 |
| 3P+N+E | 0.270 | 70 | 70 | 35 | 76.2 | 8 | 36 | 4.2 | 84 | 94 | 54 | 51 | 120 | 4.5 | 103 | 101 |

IP 66/67 - 55 IEC pin sockets

Cat. No(s): 0 511 06/07/10/11/25/26/27/30/31/46/47/50/51/55/56/57/60/61
 0 511 75/76/77/80/81/85/86/87/90/91 - 0 520 29 - 0 522 29/89 - 0 529 26/36/
 0 529 40/46/86/90 - 0 530 06/07/10/11/45/46/47/50/51/56/57/60/61/75/76/77/80
 0 530 81/85/86/87/90/91 - 0 538 89 - 0 593 26/27/36/37/46/47/6/86/87
 0 594 27/28/29/37/38/47/48/49/77/78 - 0 538 87/88 - 0 595 02/03/12/13/22/23/32
 0 595 33/42/43/44/45 - 6 581 01/03/13/31/36 - 6 582 05/15/25

3. DIMENSIONS (continued)

Through wiring box.

Cat. Nos. 0 520 89 - 0 522 89 - 0 529 90 - 0 538 89

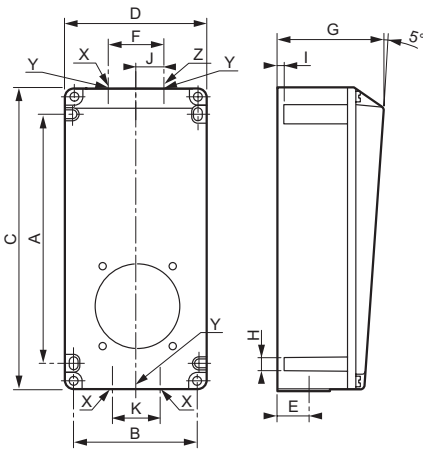
Receive the panel mounting sockets to realise the surface mounting sockets:

- Cat. No. 0 52089 receive the classic inclined panel mounting sockets 16 A, 2P+E.
- Cat. No. 0 522 89 receive the classic inclined panel mounting sockets 16 A, 3P+E / 3P+N+E.
- Cat. No. 0 529 90 receive the 32 A panel mounting sockets with single fixing centres 2P+E / 3P+E / 3P+N+E.
- Cat. No. 0 538 89 receive the inclined 63 A panel mounting sockets and straight 63 A panel appliance inlets 2P+E / 3P+E / 3P+N+E.

CE on top or bottom face by reversing the box.

Equipped with:

- 2 connected earth terminals in 16 and 32 A.
- 3 connected earth terminal in 63 A.

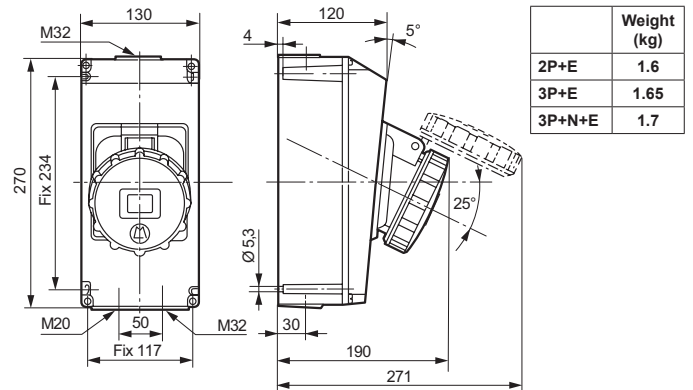


| | Weight (kg) | A | B | H | C | D | E | F | G | I | J | K | X | Y | Z |
|----------------------|-------------|-----|-----|-----|-----|-----|----|----|-----|---|----|----|-----|-----|-----|
| 16 A | | | | | | | | | | | | | | | |
| 2P+E | 0.330 | 145 | 74 | 5,3 | 182 | 86 | 22 | 34 | 75 | 4 | - | - | - | M20 | - |
| 3P+E / 3P+N+E | 0.440 | 175 | 88 | 5,3 | 212 | 100 | 22 | 40 | 77 | 4 | - | - | - | M20 | - |
| 32 A | | | | | | | | | | | | | | | |
| 2P+E / 3P+E / 3P+N+E | 0.670 | 234 | 117 | 5,3 | 270 | 130 | 30 | 50 | 120 | 4 | - | - | - | M25 | - |
| 63 A | | | | | | | | | | | | | | | |
| 2P+E / 3P+E / 3P+N+E | 2.000 | 260 | 152 | 6,3 | 300 | 170 | 40 | - | 150 | 8 | 50 | 70 | M32 | - | M20 |

3. DIMENSIONS (continued)

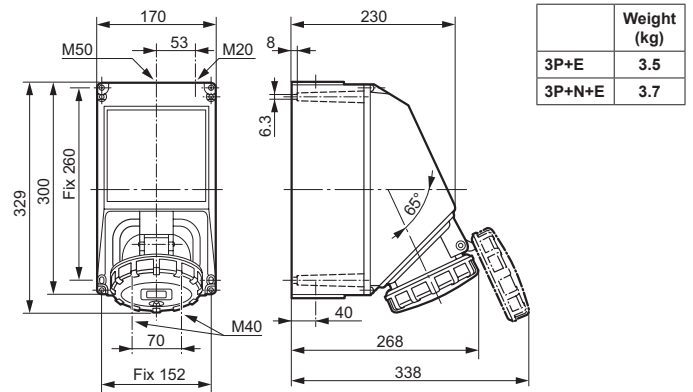
Surface mounting socket

IP 66/67 - 55, LV 63 A



| | Weight (kg) |
|--------|-------------|
| 2P+E | 1.6 |
| 3P+E | 1.65 |
| 3P+N+E | 1.7 |

IP 66/67 - 55, LV 125 A

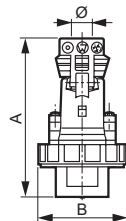


| | Weight (kg) |
|--------|-------------|
| 3P+E | 3.5 |
| 3P+N+E | 3.7 |

Straight plugs

IP 66/67 - 55, LV 16 and 32 A

| | Weight (kg) | A | B | Clamping/ Grip Ø |
|--------|-------------|-----|------|------------------|
| 16 A | | | | |
| 2P+E | 0.165 | 135 | 72.5 | 8 to 15 |
| 3P+E | 0.195 | 139 | 81 | 8 to 15 |
| 3P+N+E | 0.220 | 154 | 86.5 | 10 to 18 |
| 32 A | | | | |
| 2P+E | 0.280 | 164 | 94.5 | 10 to 18 |
| 3P+E | 0.280 | 164 | 94.5 | 12 to 22 |
| 3P+N+E | 0.325 | 170 | 101 | 12 to 22 |



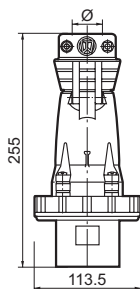
IP 66/67 - 55 IEC pin sockets

Cat. No(s): 0 511 06/07/10/11/25/26/27/30/31/46/47/50/51/55/56/57/60/61
 0 511 75/76/77/80/81/85/86/87/90/91 - 0 520 29 - 0 522 29/89 - 0 529 26/36/
 0 529 40/46/86/90 - 0 530 06/07/10/11/45/46/47/50/51/56/57/60/61/75/76/77/80
 0 530 81/85/86/87/90/91 - 0 538 89 - 0 593 26/27/36/37/46/47/6/86/87
 0 594 27/28/29/37/38/47/48/49/77/78 - 0 538 87/88 - 0 595 02/03/12/13/22/23/32
 0 595 33/42/43/44/45 - 6 581 01/03/13/31/36 - 6 582 05/15/25

3. DIMENSIONS (continued)

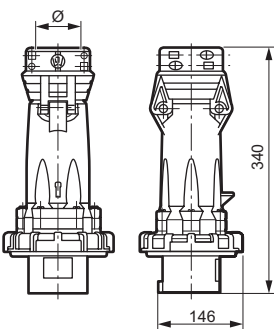
Straight plug

IP 66/67 - 55, LV 63 A



| | Weight (kg) | Clamping/grip Ø |
|--------|-------------|-----------------|
| 63 A | | |
| 2P+E | 0.620 | 16 to 26 |
| 3P+E | 0.680 | 18.5 to 29 |
| 3P+N+E | 0.750 | 20.5 to 32 |

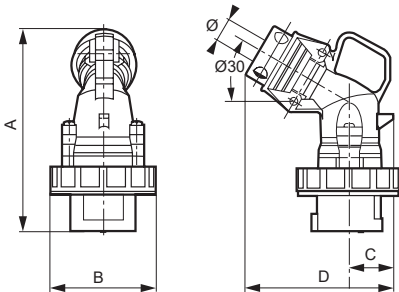
IP 66/67 - 55, LV 125 A



| | Weight (kg) | Clamping/grip Ø |
|--------|-------------|-----------------|
| 3P+E | 1.54 | 24 to 48 |
| 3P+N+E | 1.70 | 28 to 48 |

Angled plugs

IP 66/67 - 55, LV 16 and 32 A

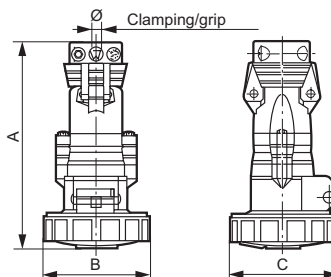


| | Weight (kg) | A | B | C | D | Clamping/grip Ø |
|--------|-------------|-----|------|------|-----|-----------------|
| 16 A | | | | | | |
| 2P+E | 0.165 | 136 | 72.5 | 29.5 | 100 | 8 to 15 |
| 3P+E | 0.195 | 141 | 81 | 33.5 | 105 | 8 to 15 |
| 3P+N+E | 0.220 | 150 | 86.5 | 37.5 | 114 | 10 to 18 |
| 32 A | | | | | | |
| 2P+E | 0.280 | 161 | 94.5 | 39.5 | 116 | 10 to 18 |
| 3P+E | 0.280 | 161 | 94.5 | 39.5 | 116 | 12 to 22 |
| 3P+N+E | 0.325 | 167 | 101 | 44.5 | 122 | 12 to 22 |

3. DIMENSIONS (continued)

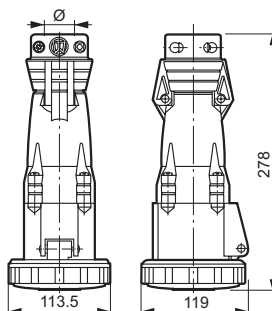
Mobile sockets

IP 66/67 - 55, LV 16 and 32 A



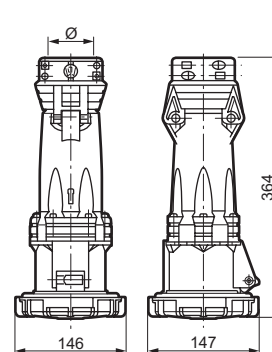
| | Weight (kg) | A | B | C | Clamping/grip Ø |
|--------|-------------|-----|------|------|-----------------|
| 16 A | | | | | |
| 2P+E | 0.180 | 150 | 72.5 | 75.5 | 8 to 15 |
| 3P+E | 0.215 | 154 | 81 | 86 | 8 to 15 |
| 3P+N+E | 0.275 | 189 | 86.5 | 89 | 10 to 18 |
| 32 A | | | | | |
| 2P+E | 0.320 | 179 | 94.5 | 99 | 10 to 18 |
| 3P+E | 0.320 | 179 | 94.5 | 99 | 12 to 22 |
| 3P+N+E | 0.375 | 185 | 101 | 106 | 12 to 22 |

IP 66/67 - 55, LV 63 A



| | Weight (kg) | Clamping/grip Ø |
|--------|-------------|-----------------|
| 2P+E | 0.780 | 16 to 26 |
| 3P+E | 0.850 | 18.5 to 29 |
| 3P+N+E | 0.910 | 20.5 to 32 |

IP 66/67 - 55, LV 125 A



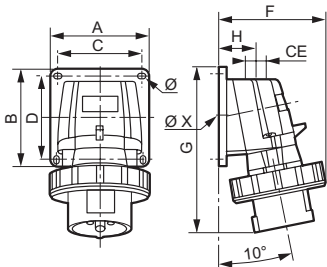
| | Weight (kg) | Clamping/grip Ø |
|--------|-------------|-----------------|
| 3P+E | 1.8 | 24 to 48 |
| 3P+N+E | 2 | 28 to 48 |

IP 66/67 - 55 IEC pin sockets

Cat. No(s): 0 511 06/07/10/11/25/26/27/30/31/46/47/50/51/55/56/57/60/61
 0 511 75/76/77/80/81/85/86/87/90/91 - 0 520 29 - 0 522 29/89 - 0 529 26/36/
 0 529 40/46/86/90 - 0 530 06/07/10/11/45/46/47/50/51/56/57/60/61/75/76/77/80
 0 530 81/85/86/87/90/91 - 0 538 89 - 0 593 26/27/36/37/46/47/6/86/87
 0 594 27/28/29/37/38/47/48/49/77/78 - 0 538 87/88 - 0 595 02/03/12/13/22/23/32
 0 595 33/42/43/44/45 - 6 581 01/03/13/31/36 - 6 582 05/15/25

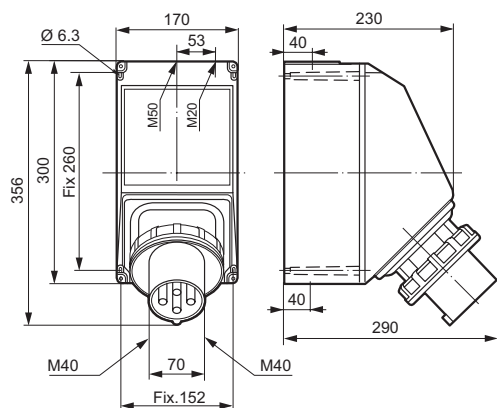
3. DIMENSIONS (continued)

Inclined surface appliance inlet
 IP 66/67 - 55, LV 16 and 32 A



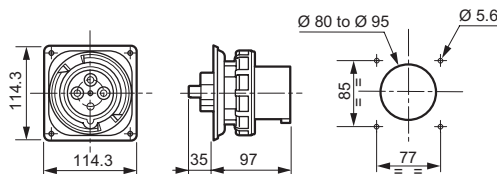
| | Weight (kg) | A/B | C/D | F | G | H | CE | Ø | ØX |
|-------------|-------------|-----|-----|-----|-----|----|-----|-----|----|
| 16 A | | | | | | | | | |
| 2P+E | 0.188 | 84 | 72 | 87 | 126 | 34 | M20 | 4.3 | 17 |
| 3P+E | 0.257 | 84 | 72 | 95 | 134 | 34 | | | |
| 3P+N+E | 0.297 | 84 | 72 | 100 | 141 | 34 | | | |
| 32 A | | | | | | | | | |
| 2P+E | 0.370 | 110 | 98 | 107 | 168 | 39 | M25 | 5.3 | 24 |
| 3P+E | | | | | | | | | |
| 3P+N+E | | | | | | | | | |

IP 66/67 - 55, LV 125 A



| | Weight (kg) |
|--------|-------------|
| 3P+E | 2.6 |
| 3P+N+E | 2.7 |

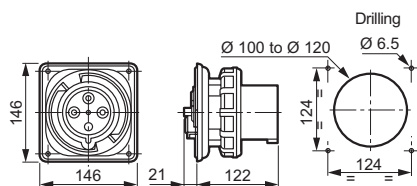
Straight panel appliance inlet
 IP 66/67 - 55, LV 63 A



| | Weight (kg) |
|--------|-------------|
| 2P+E | 0.490 |
| 3P+E | 0.548 |
| 3P+N+E | 0.610 |

Nb : Can be fixed on the box Cat. No. 0 538 89 to obtain a straight surface appliance inlet.

IP 66/67 - 55, LV 125 A



| | Weight (kg) |
|--------|-------------|
| 3P+E | 1 |
| 3P+N+E | 1.15 |

4. TECHNICAL CHARACTERISTICS

4.1 Resistance to severe environment

Resistance to temperature variations using spray jets: tests carried out on the same day using three temperature intervals from 5 to 60°C/Spray jet 3 to 4 bars at 20 cm from the nozzle.

Resistance to industrial cleaning procedures generally carried out in the agri-food sector: high-pressure pre-wash/detergent cleaning/high pressure - high temperature wash.

- **Pre-wash degreasing test:** test carried out using a high-pressure machine set between 70 and 90 bars.

Includes hot water between 70 and 80°C.

Spraying at a distance of 50 cm for one minute without directly applying on the test product.

- **Detergent cleaning:** two detergents are used: Galorox acid and Galorox 3 %.

Each detergent is applied by spraying it around the product for 10 seconds.

The detergent is then left to take effect for 30 minutes.

- **Wash:** high-pressure machine set between 110 and 120 bars.

hot water between 70 and 80°C is sprayed.

The other settings are identical to those in the pre-wash degreasing test.

Result: all the tested products successfully passed the detergent tests based on the above-specified conditions.

4.2 Glow wire resistance

- 850°C active parts

- 650°C housing.

4.3 Dielectric strength

3000 V - 50 Hz

4.4 Temperature of use

- 50°C to + 100°C if and only if the products have been previously wired above - 20°C. Any mechanical constraints below - 25°C has to be done.

- Radiation intensity: 550 W/m²

- Test duration: 168 hours.

- Infrared and ultra-violet filter in order to get as close to the solar spectrum as possible.

4.6 Ageing test

Thermoplastic material:

Ageing 7 days at 80°C.

Flap spring strength:

5000 opening/closing.

Seals strength:

Tested ageing at 70°C during 10 days.

IP 66/67 - 55 IEC pin sockets

Cat. No(s): 0 511 06/07/10/11/25/26/27/30/31/46/47/50/51/55/56/57/60/61
 0 511 75/76/77/80/81/85/86/87/90/91 - 0 520 29 - 0 522 29/89 - 0 529 26/36/
 0 529 40/46/86/90 - 0 530 06/07/10/11/45/46/47/50/51/56/57/60/61/75/76/77/80
 0 530 81/85/86/87/90/91 - 0 538 89 - 0 593 26/27/36/37/46/47/6/86/87
 0 594 27/28/29/37/38/47/48/49/77/78 - 0 538 87/88 - 0 595 02/03/12/13/22/23/32
 0 595 33/42/43/44/45 - 6 581 01/03/13/31/36 - 6 582 05/15/25

5. WIRING

5.1 Tested wiring according IEC 60 309.1

| Type | Intensity | Conductors size (mm ²) | Conductor types |
|--------------------------------|-----------|------------------------------------|-----------------|
| Surface panel mounting sockets | 16 A | 1.5 to 4 | Rigid |
| | 32 A | 2.5 to 10 | Rigid |
| | 63 A | 6 to 25 | Rigid |
| | 125 A | 25 to 70 | Rigid |
| Appliance inlets | 16 A | 1 to 2.5 | Rigid |
| | 32 A | 2.5 to 6 | Rigid |
| | 63 A | 6 to 16 | Rigid |
| | 125 A | 16 to 50 | Rigid |
| Plugs and mobile sockets | 16 A | 1 to 2.5 | Flexible |
| | 32 A | 2.5 to 6 | Flexible |
| | 63 A | 6 to 16 | Flexible |
| | 125 A | 16 to 50 | Flexible |

Pilot cabling

| | 63 A / 125 A | Conductor types |
|------------------------------------|--------------|-----------------------|
| Surface and panel mounting sockets | 2.5 to 10 | rigid |
| Appliance inlets | 2.5 to 6 | rigid |
| Plugs and mobile sockets | 2.5 to 6 | flexible with ferrule |

5.2 Tightening torque of the connection screws

- 16 A LV: from 0.7 to 1 Nm
- 32 A LV: from 0.7 to 1 Nm
- 63 A LV: from 2 to 2.2 Nm for Phase and Earth from 0.7 to 1 Nm for pilot.
- 125 A LV: from 3 to 4 Nm for Phase and Earth from 0.7 to 1 Nm for pilot.

6. USE

NEW HYPRA 66/67 - 55 - WATERTIGHT, EVEN WHEN UNLOCKED⁽¹⁾

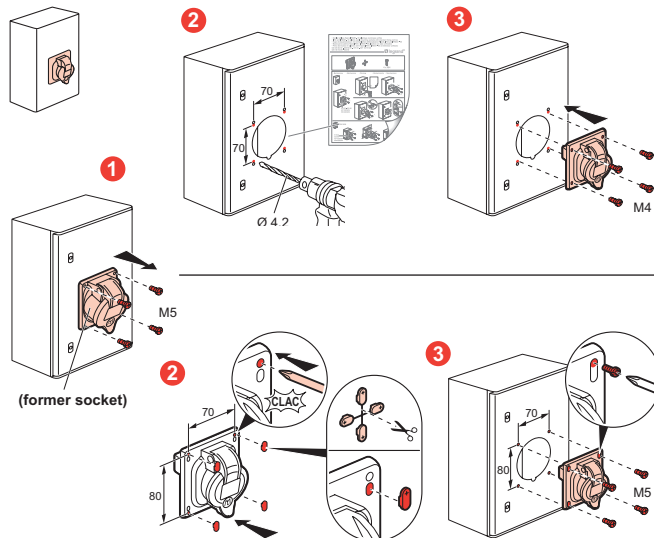
| | | |
|--|--|--|
| IP 55 connected guaranteed with flap closed on the plug. | IP 66/67 connected with the ring locked. | Unconnected, IP 55 guarantee when flap is closed. IP 66/67 with the ring locked. |
|--|--|--|

⁽¹⁾With a couple of IP 66/67-55 products

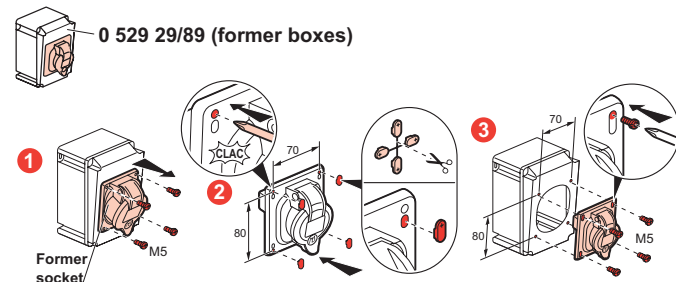
6. USE (continued)

Using of the 32 A, IP 66/67 - 55 panel mounting sockets with single fixing centres

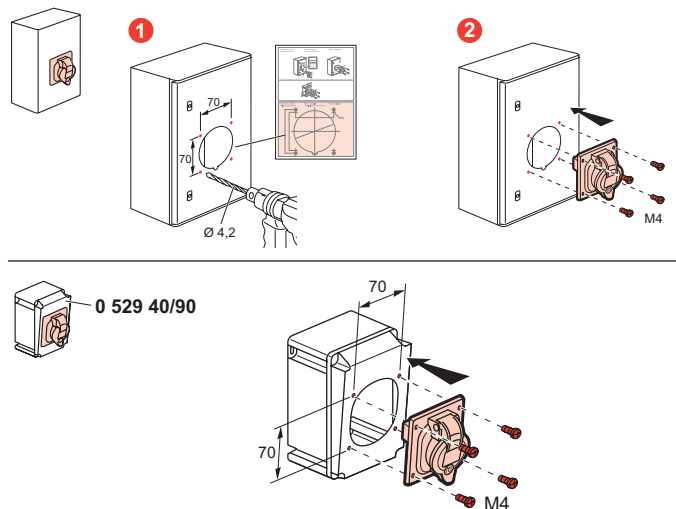
6.1 Maintenance on enclosure



6.2 Maintenance on box



6.3 New installation



IP 66/67 - 55 IEC pin sockets

Cat. No(s): 0 511 06/07/10/11/25/26/27/30/31/46/47/50/51/55/56/57/60/61
 0 511 75/76/77/80/81/85/86/87/90/91 - 0 520 29 - 0 522 29/89 - 0 529 26/36/
 0 529 40/46/86/90 - 0 530 06/07/10/11/45/46/47/50/51/56/57/60/61/75/76/77/80
 0 530 81/85/86/87/90/91 - 0 538 89 - 0 593 26/27/36/37/46/47/76/86/87
 0 594 27/28/29/37/38/47/48/49/77/78 - 0 538 87/88 - 0 595 02/03/12/13/22/23/32
 0 595 33/42/43/44/45 - 6 581 01/03/13/31/36 - 6 582 05/15/25

7. WIRING DIAGRAM

Breaking via guide wire:

The guide wire is a control conductor used with the power conductor. If it is interrupted, it causes the breaking of the power circuit via a contactor. This arrangement provides an electrical solution to the requirement for breaking circuits greater than 32A (decree dated 14/11/88). An additional (shorter) pin is therefore added to the various models of sockets to perform this "guide wire" function. The "guide wire" solution nonetheless remains restricting in terms of both its implementation (requirement for special cables) and its cost (power contactor).

8. STANDARDS AND DECREE

- IEC 60309-1 and NF EN 60309-1 (design rules)
- IEC 60309-2 and NF EN 60309-2 (dimension rules)
- IEC 600 529 and NF EN 600 529 (IP)
- IEC 62262 and NF EN 62262 (IK)
- Decree of 14/11/88 (workers safety)

