



**BOURDON**  
The Original by Baumer



### Main Features

- Pressure gauges for pneumatic valves, level controllers or transmitters and pressure regulators
- Accuracy +/- 1.6 % F.S.
- Triple graduation
- 4 Measurement ranges

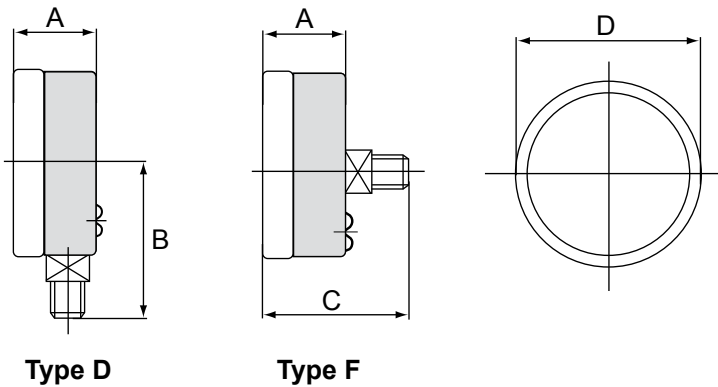
### Applications

- Food & Beverage
- Laboratory & Medical
- Oil & Gas / Chemical
- Water & Waste water
- Energy
- Transportation & Logistics
- Machinery

### Technical Data

Nominal size	MTR1 : 40 mm MTR2 : 50 mm
Measurement ranges	0 ... 2 to 0 ... 11 bar 2nd scale: kg/cm <sup>2</sup> (black) 3rd scale: psi (red)
Accuracy	+/- 1.6 % F.S.
Protection rating	IP 32 (according NF EN60529)
Process connection	Brass
Bourdon tube	Brass
Temperature	Ambient : -40...60°C Medium : -20...80°C Storage : -40...60°C
Case	Stainless steel 1.4301 (AISI 304)
Bezel ring	Stainless steel 1.4301 (AISI 304)
Movement	Brass
Window	Instrument glass
Dial	Aluminium, white
Pointer	Aluminium, black

**Dimensions - Types of mounting**



NS	A	B	C	D
40	26.5	36.5	46	41
50	31	41.5	55	51

**Weight (kg)**  
NS40 : 0.07  
NS50 : 0.09

**Pressure ranges**

Code	bar	kg/cm <sup>2</sup>	psi
B17	0 ... 2	0 ... 2	0 ... 30
B19	0 ... 4	0 ... 4	0 ... 60
B21	0 ... 7	0 ... 7	0 ... 100
B94	0 ... 11	0 ... 11	0 ... 160

**Ordering details MTR**

	MTR	-		.	Bxx
<b>Model</b>	MTR				
Pressure gauge	MTR				
<b>Nominal size</b>					
40 mm			1		
50 mm			2		
			-		
<b>Type of mounting</b>					
Bottom connection					D
Back connection					F
<b>Process connection</b>					
1/4 NPT					5
1/8 NPT					4
<b>Liquid filling</b>					
Dry					0
					.
<b>Unit of measurement / Pressure ranges</b> <sup>(1)</sup>					
bar (2nd scale kg/cm <sup>2</sup> , 3rd scale psi)					Bxx

<sup>(1)</sup> Available standard pressures ranges, see table above. For ranges not listed, please contact Baumer.

**Ordering example**

