

1 2 3 4 5 6 7 8

A

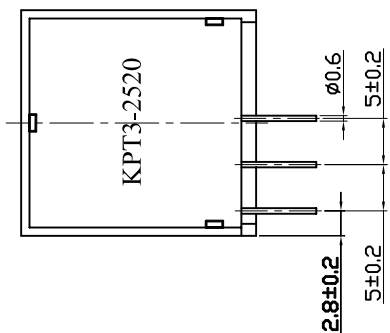
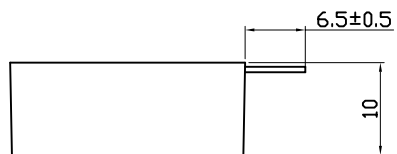
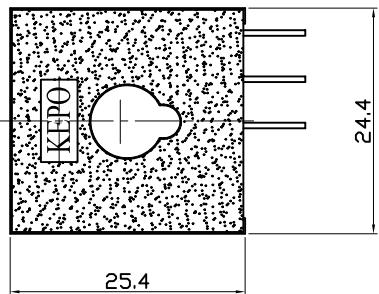
B

C

D

E

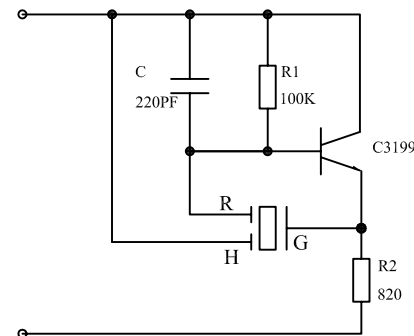
F



SPECIFICATION

- 1. Rated Voltage15VDC
- 2. Operating Voltage3~30VDC
- 3. Max. Rated Current20mA at 15VDC
- 4. Resonant Frequency3.2±0.5KHz
- 5. Min. Sound Pressure Level.....90dB at 15VDC/10cm
- 6. Tone NatureSingle
- 7. Case Material/ColorPBT/Black
- 8. Operating Temperature-30~+115°C
- 9. Store Temperature-40~+125°C
- 10. Weight4g

Test Circuit



				KEPO NINGBO KEPO ELECTRONIC CO.,LTD http://www.chinaacoustic.com	
				Piezo Buzzer QUARTZ-1	
				KPT3-2520	
No.	DESCRIPTION	APPROVED	DATE		
TOLERANCES UNLESS NOTED OTHERWISE		APPROVALS		DATE	
X ±		DRAWN		UNIT	
XX ±		CHECKED		DWG NO.	
XXX ±		APPROVED		mm OEM2688	
90° FORMED +2°				SCALE	
ANGLES -1°				NOT TO SCALE	
FIRST ANGLE PROJECTION				SHEET	
				VER 1.0	

1 2 3 4 5 6 7 8