

1

2

3

4

5

6

7

8

A

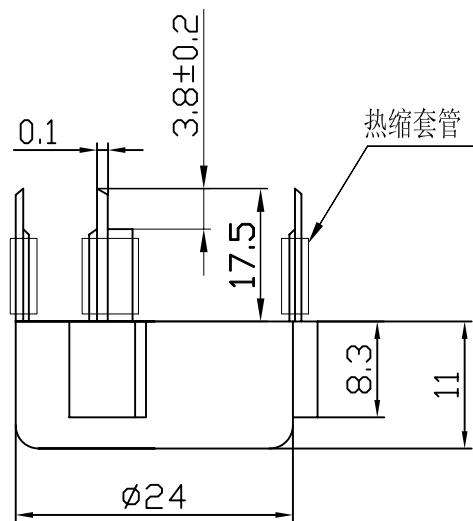
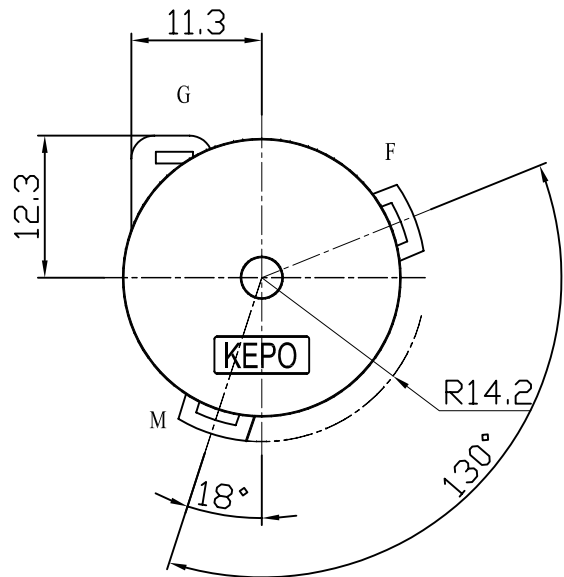
B

C

D

E

F



### SPECIFICATION

1. Rated Voltage.....12VDC
2. Max. Input Voltage.....30VDC
3. Min. Sound Pressure Level.....80dB/30cm
4. Resonant Frequency.....3.8±0.4KHz
5. Shell Material/Color..... PA/BLACK
6. Operating Temperature.....-20~+70℃
7. Store Temperature.....-40~+80℃
8. Weight..... 3.8 g

				<b>KEPO</b> NINGBO KEPO ELECTRONIC CO.,LTD <a href="http://www.chinaacoustic.com">http://www.chinaacoustic.com</a>	
No.		DESCRIPTION	APPROVED	DATE	Piezo Transducer 海尔
TOLERANCES UNLESS NOTED OTHERWISE			APPROVALS	DATE	KPT-2438P18
X ±					UNIT
.XX ±					DWG NO.
.XXX ±					mm
90° FORMED	+12°				OEM1222
ANGLES	-1°				SCALE
FIRST ANGLE PROJECTION					NOT TO SCALE
				04.10.18	SHEET
					VER 1.0

1

2

3

4

5

6

7

8