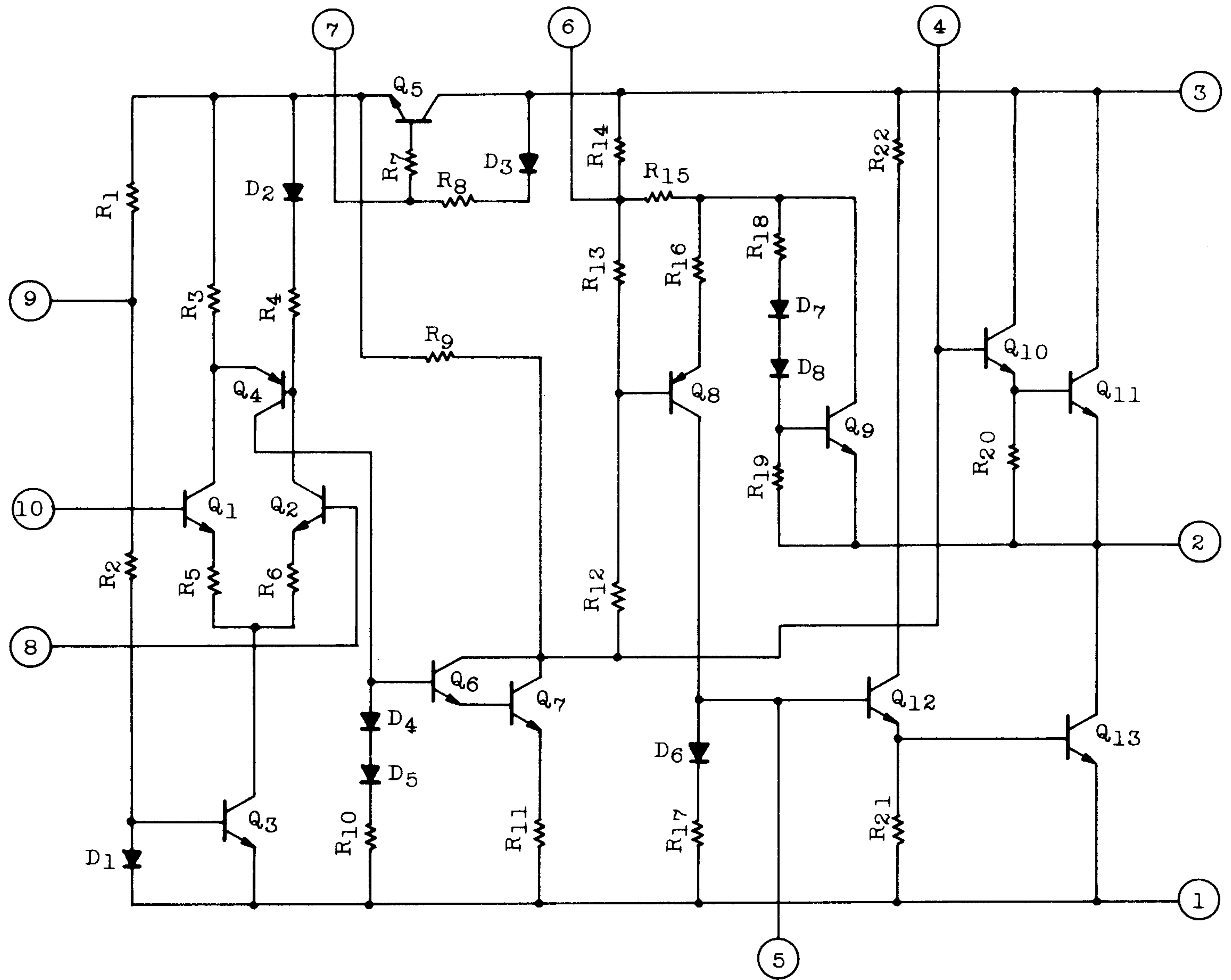




EQUIVALENT CIRCUIT



TEST AND APPLICATION CIRCUIT

