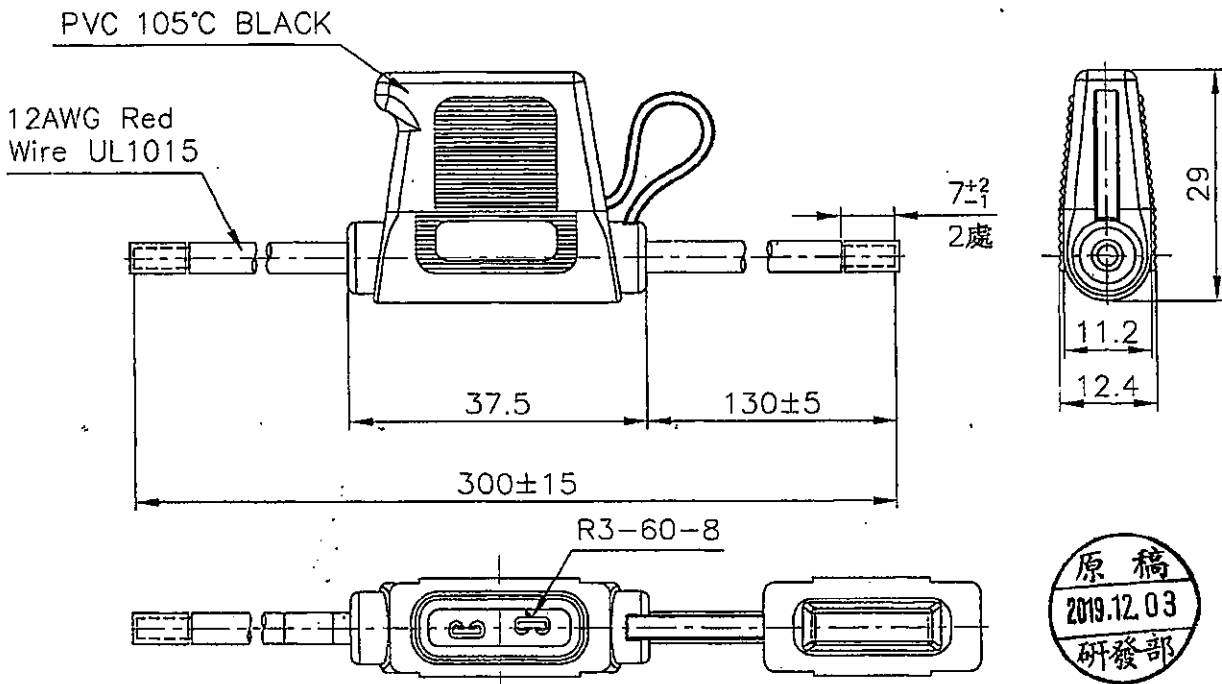
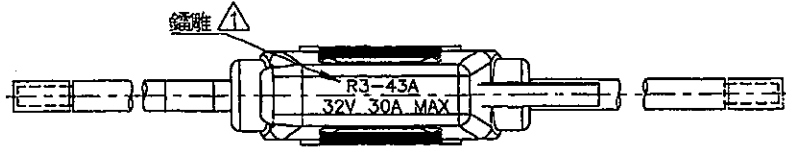


Rating	30A 32V DC	
Insulation Resistance	DC 500V 100M ohm Min.	
Dielectric Strength	AC 1000V 1 minute	
Operation Temperature	-20°C~85°C	



The tolerance is  $\pm 0.5$  unless otherwise specified.

for ATS(Min) blade fuse A4

11/21/19	袁浩徐	將貼紙內容改成將內容鑄造刻在本體上, 取消貼紙		△
Date	Name	Description		NO
Drawn	Checked	Approved	SCI BOM No. 1310423	Model Name FUSE HOLDER
袁浩徐		<i>Shin</i>	Customer No.	Model No. R3-43A
11/21/19		11/21/19	Unit mm	SHIN CHIN INDUSTRIAL CO., LTD. REV. 1