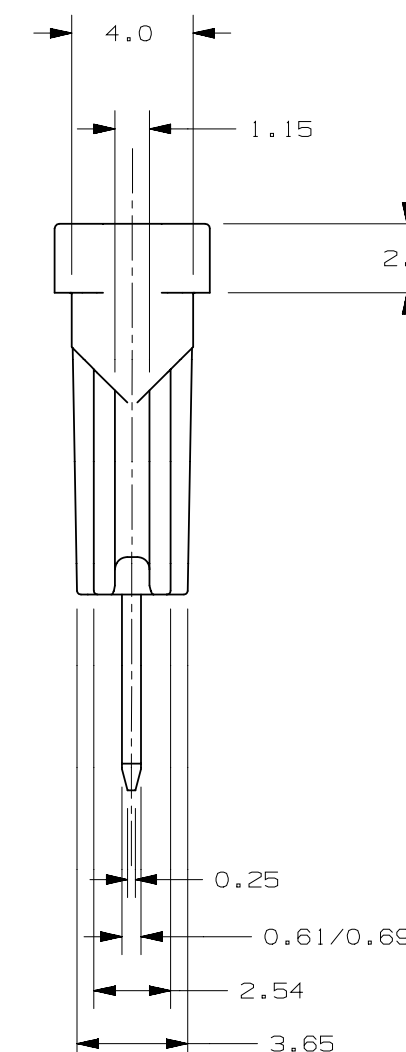
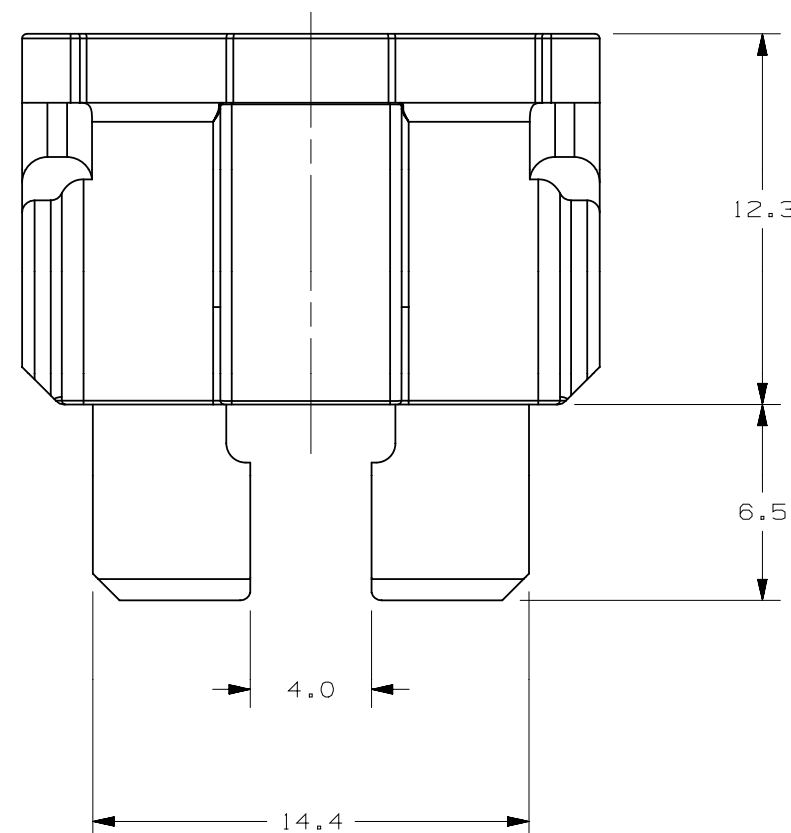
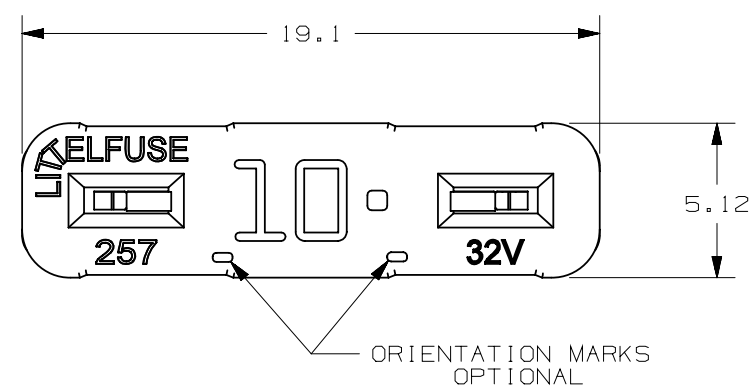


AMPERE RATING	VOLTAGE RATING	BODY COLOR	LITTELFUSE PART NUMBER
1	32	BLACK	0287001.PXS
2	32	GRAY	0287002.PXS
3	32	VIOLET	0287003.PXS
4	32	PINK	0287004.PXS
5	32	TAN	0287005.PXS
7.5	32	BROWN	028707.5PXS
10	32	RED	0287010.PXS
15	32	BLUE	0287015.PXS
20	32	YELLOW	0287020.PXS
25	32	CLEAR	0287025.PXS
30	32	GREEN	0287030.PXS
35	32	BLUE/GREEN	0287035.PXS
40	32	ORANGE	0287040.PXS

TIME CURRENT CHARACTERISTICS			
% OF RATING	CURRENT RATING (AMPERE)	BLOW TIME	
		MINIMUM	MAXIMUM
100%	35-40	100 HOURS	-
110%	1-30	100 HOURS	-
135%	1-2	.35 SEC	600 SEC
160%	3-40	.75 SEC	600 SEC
160%	1-40	.25 SEC	50 SEC
200%	1-2	.10 SEC	5 SEC
350%	3-40	.15 SEC	5 SEC
350%	1-2	.02 SEC	.50 SEC
350%	3-40	.04 SEC	.50 SEC
600%	1-30	-	.1 SEC
600%	35-40	-	.15 SEC

LTR	DATE	REVISION	CHK	APD
A	06/10/11	502568ERA-RELEASE	OPL	
B	09/12/11	503227ECA-REMOVE THE PATENT NUMBER FROM DRAWING OF THE FUSE.	OPL	
C	02/09/12	504266ERA-RELEASE FROM: 0287001.PXS TO: 0287025.PXS, 0287035.PXS & 0287040.PXS	OPL	
D	07/18/12	505501ECA-ADD ON BLOW TIME CHART: 160% 1-40 .25 SEC 50 SEC. ADD DOT ON RATING STAMP, CHANGE ON BLOW TIME CHART		
-	-	FROM: .08 SEC TO: 0.04 SEC RELOCATED CHARTS	OPL	
E	10/05/12	506287ECA-ADD LITTELFUSE PART NUMBERS AND MATERIAL DESCRIPTION	OPL	



NO	COMPONENT NO	DESCRIPTION	QTY/M	U/M
-				
-				
-				

BILL OF MATERIAL

UNLESS OTHERWISE SPECIFIED, DIMENSIONS ARE IN MILLIMETERS.
DIMENSIONS IN BRACKETS [] ARE INCHES

UNLESS OTHERWISE SPECIFIED, DIMENSIONS DO NOT INCLUDE PLATING.

⊙	DENOTES CRITICAL CHARACTERISTICS.
CPK	DENOTES CPK DIMENSIONS. -MINIMUM CPK VALUE
ST	DENOTES A CHARACTERISTIC THAT PROVIDES AN INDICATION OF PROCESS PERFORMANCE. PROCEDURE FOR MEASUREMENT AND TRACKING TO BE DEFINED IN LITTELFUSE INSPECTION INSTRUCTIONS
CP	DENOTES CP DIMENSIONS. -MINIMUM CP VALUE MUST BE WITHIN THE DIMENSIONAL LIMITATIONS SHOWN ON DRAWING AND INITIALLY LOCATED TO ALLOW FOR MAXIMUM TOOL LIFE

COPIES TO: MATL SPEC INSULATING BODY: PA66
TERMINALS: ZINC ALLOY, SILVER PLATED
FINISH

1	9	18	DRW	OPL	DATE	06/10/11	SCALE	4:1
2	10	19	CHK		DATE		SUPER DR	
3	12	20	APPD		DATE		FINISH GOOD WT	
4	13	21					GRAMS/PIECE	
5	14	23						
6	15	33						
7	16	43						
8	17	53						

TOLERANCE UNLESS OTHERWISE SPECIFIED
ONE PLACE DEC +/-0.3 FRACTION +/-
TWO PLACE DEC +/-0.15 ANGULAR +/-1°

3RD ANGLE PROJECTION

TITLE: ATO SILVER PLATED

Littelfuse DES PLAINES, ILLINOIS 60016

REVISION	DRWG. NO.	OUTLINE
E	0287000.PXS	

METRIC

CAD GENERATED DRAWING - NO PENCIL CHANGES ALLOWED