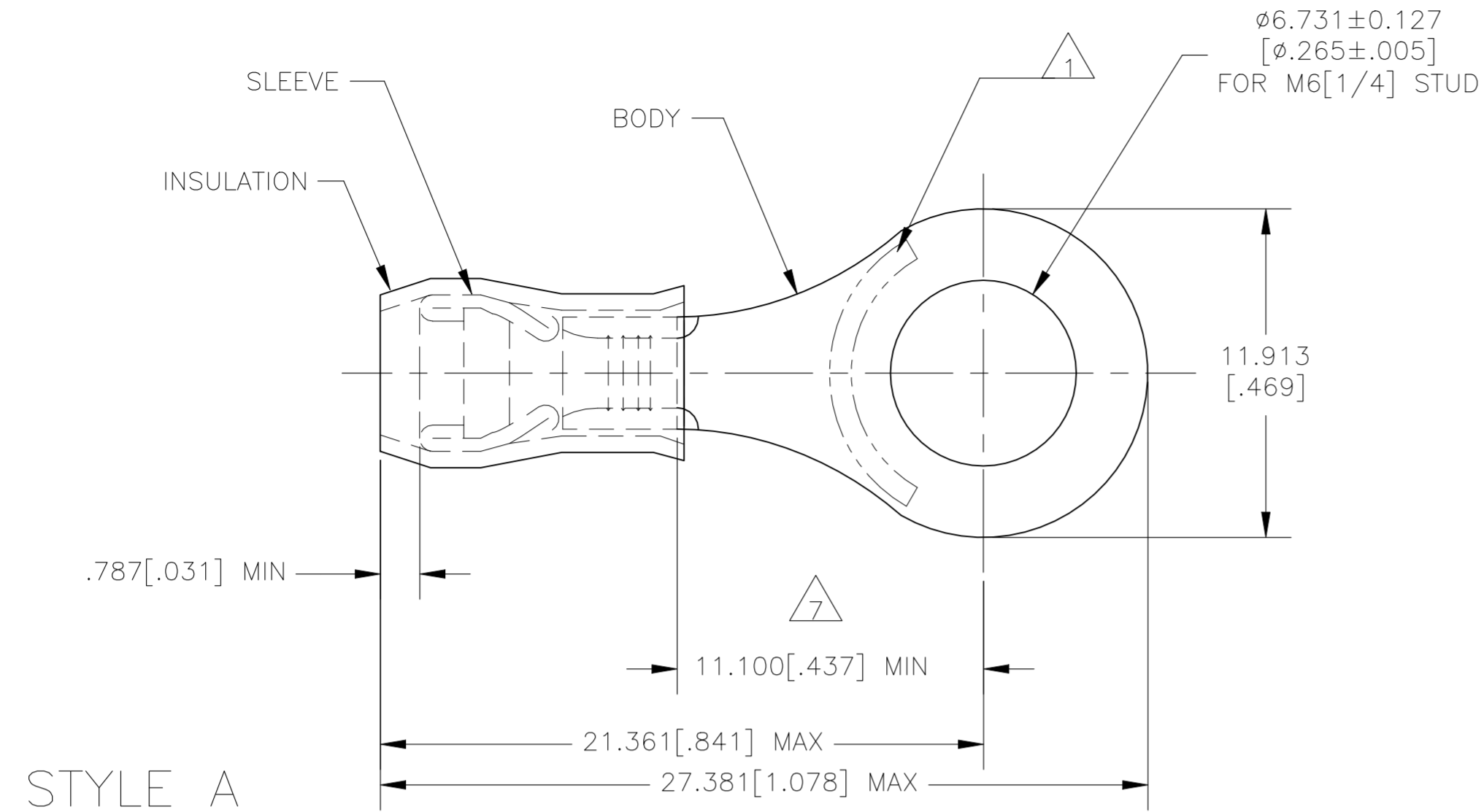


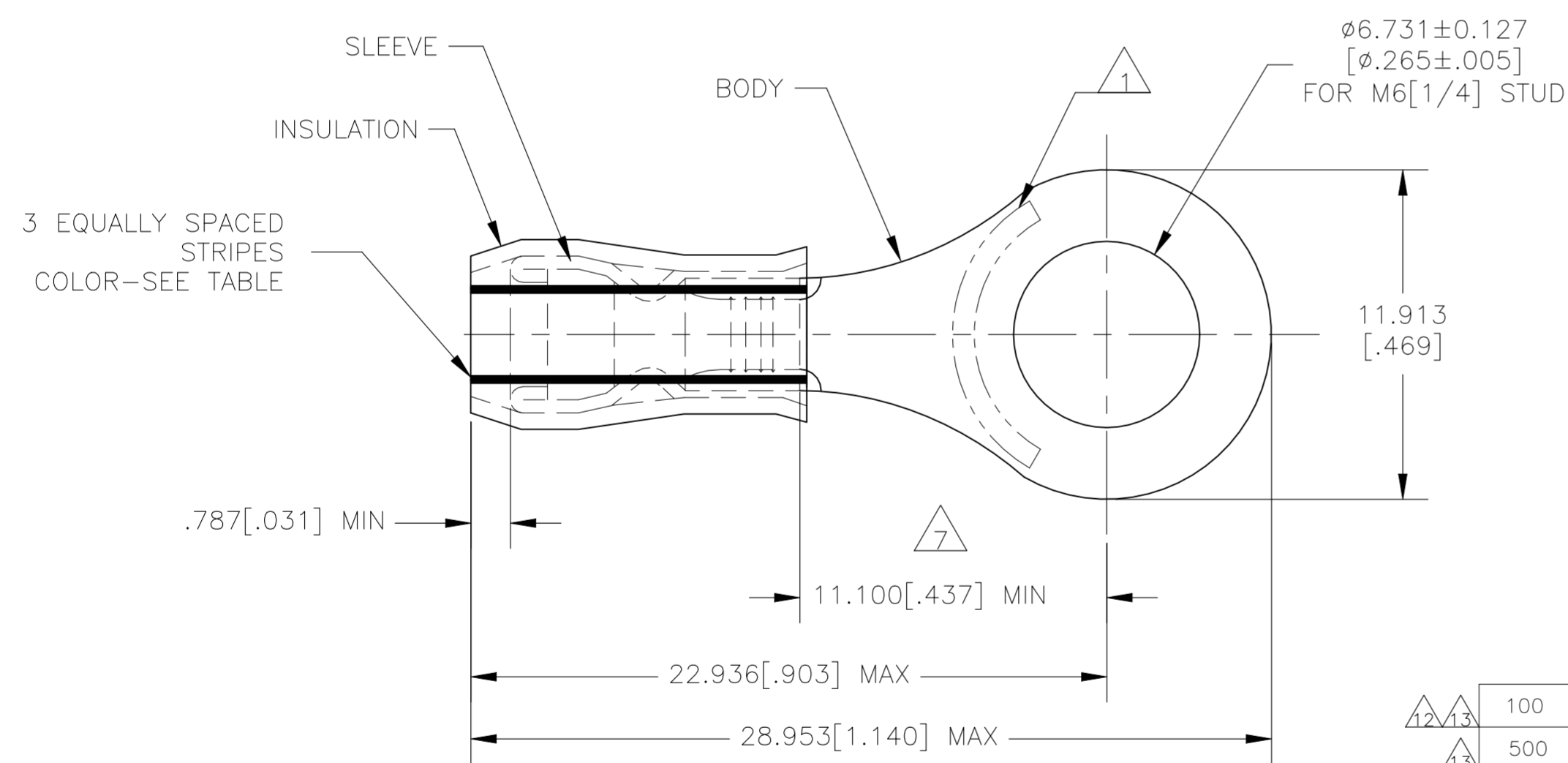
REVISIONS					
P	LTR	DESCRIPTION	DATE	DWN	APVD
P3		REVISED PER ECN-22-156403	03JUN2022	RK	CSD

<b>AMP</b> WIRE RANGE	E13288 Listed	LR7189 Certified
16-14 AWG SOLID OR STRANDED IR: STRANDED	16-14 AWG STRANDED	WIRE SIZE PER TABLE SOLID OR STRANDED IR: STRANDED

- 1 STAMP "AMP - SEE TABLE" APPROX AS SHOWN.
- 2 WIRE INSULATION DIA: SEE TABLE.
- 3 BODY MATERIAL THK: 0.787[.031]±0.051[.002].
- 4 BODY: TIN PLATE 0.00254[.000100] MIN EXT THK PER ASTM B545.
- 5 SLEEVE: TIN PLATE 0.00254[.000100] MIN EXT THK PER ASTM B545.
- 6 BODY & SLEEVE- CU PER ASTM B152 INSULATION - NYLON PER ASTM D4066.
- 7 APPLIES FROM EDGE OF METAL WIRE BARREL TO CENTER OF STUD HOLE.
- 8 MEETS MS25036-154, CLASS 1.
- 9 NOTE DELETED
- 10 MEETS M7928/1-43, CLASS 1.
- 11 MEETS M7928/1-52, CLASS 1.
- 12 UL LISTED
- 13 CSA CERTIFIED



STYLE A



STYLE B  
INSULATION RESTRICTING

QTY	PACKAGE TYPE	STAMPING	WIRE INSUL DIA	WIRE SIZE	STRIPE COLOR	STYLE	BODY FINISH	SLEEVE FINISH	PART NO
100	LOOSE PIECE, BOX	16-14*	2.667[.105]-3.810[.150]	16-14	--	A			8-320563-1
500	LOOSE PIECE	14*	1.981[.078]-3.302[.130]	14	GREEN	B			2-320563-4
500	LOOSE PIECE	16*	1.600[.063]-3.302[.130]	16	BLUE	B	4	5	2-320563-3
500	320563 ON TAPE	16-14*	2.667[.105]-3.810[.150]	16-14	--	A			2-320563-2
500	LOOSE PIECE	16-14*	2.667[.105]-3.810[.150]	16-14	--	A			320563

<b>CUSTOMER SERVICE SYSTEMS</b>		MAX RECOMMENDED OPERATING TEMPERATURE: 105°C[221°F] MAX		THIS DRAWING IS A CONTROLLED DOCUMENT.		DWN JR RUTH 13JAN10		TE Connectivity	
FOR ADDITIONAL PRODUCT INFORMATION OR COPIES OF DRAWINGS AND TECHNICAL DOCUMENTS 1-800-522-6752		VOLTAGE RATING: 300 VOLT MAX		DIMENSIONS: mm[INCHES]		CHK T MICHIELUTTI 13JAN10			
FOR APPLICATION TOOLING INFORMATION 1-800-722-1111		CIRCULAR MIL AREA: 1.02-2.62mm²[2,050-5,180] STRANDED OR SOLID		TOLERANCES UNLESS OTHERWISE SPECIFIED: 0 PLC ± - 1 PLC ± - 2 PLC ± - 3 PLC ± 0.127(.005) 4 PLC ± - ANGLES ± -		APVD T MICHIELUTTI 13JAN10		NAME UL 486 A-B	
FOR ORDER ENTRY 1-800-526-5142		THIS DRAWING IS A CONTROLLED DOCUMENT FOR AMP INCORPORATED. IT IS SUBJECT TO CHANGE AND THE CONTROLLING ENGINEERING ORGANIZATION SHOULD BE CONTACTED FOR THE LATEST REVISION.		MATERIAL 6		FINISH SEE TABLE INSULATION: COLOR BLUE		PRODUCT SPEC 114-2157	
						WEIGHT -		SIZE A2	
						CAGE CODE 00779		DRAWING NO C-320563	
						RESTRICTED TO -		SCALE 5:1	
						SHEET 1 of 1		REV P3	

# Mouser Electronics

Authorized Distributor

Click to View Pricing, Inventory, Delivery & Lifecycle Information:

[TE Connectivity:](#)

[2-320563-3](#) [M7928/1-43](#)