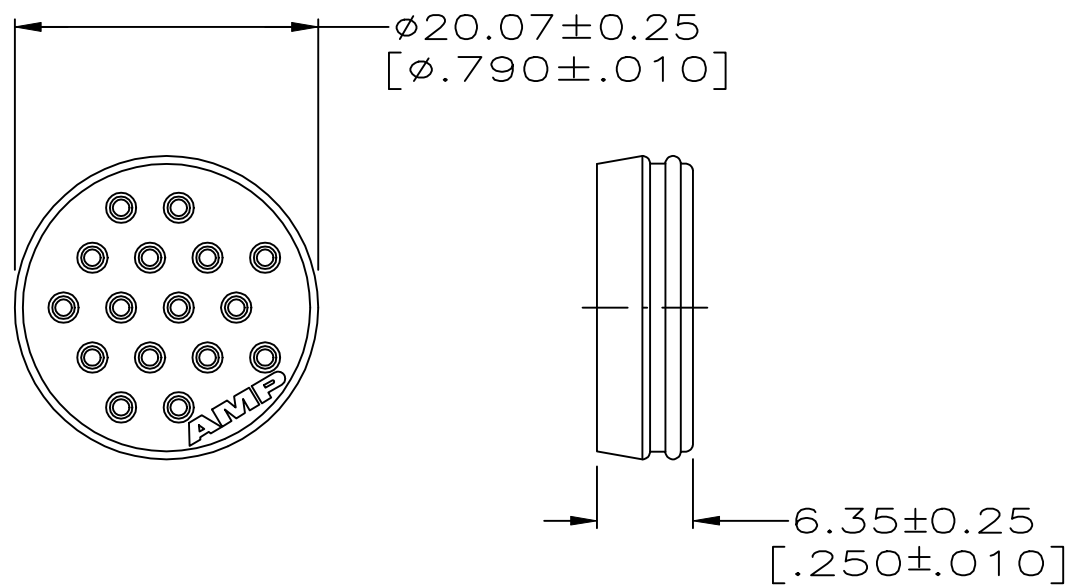
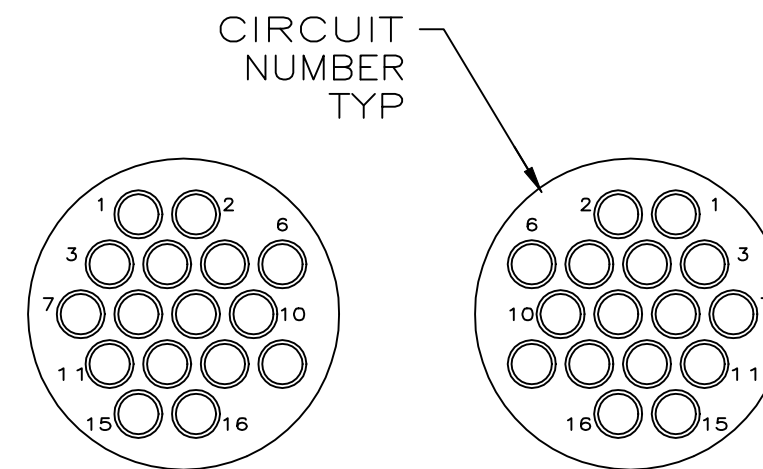


REVISIONS

P	LTR	DESCRIPTION	DATE	DWN	APVD
C		REV PER EC 0320-144-97	05MAY97	CO	AF
D		REV PER ECR-18-000581	23JAN2018	RS	MZ



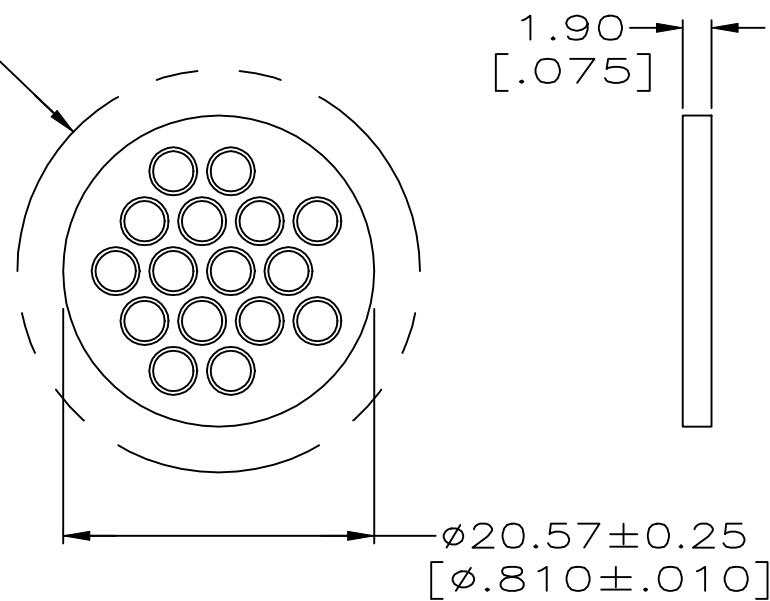
SEAL
MATERIAL: SILICON, RED IRON OXIDE
QTY=1



DETAIL A

DETAIL B


SEE TABLE
FOR CAVITY
IDENTIFICATION
DETAIL



PRESSURE PLATE
MATERIAL: NYLON, BLACK
QTY=1

1. DETAIL "A" FOR USE WITH SOCKET CONTACTS.
2. DETAIL "B" FOR USE WITH PIN CONTACTS.
3. INSULATION RANGE: $\phi 1.90$ [$\phi .075$] TO $\phi 2.54$ [$\phi .100$]

PER DETAIL B	213920-2
PER DETAIL A	213920-1
CAVITY IDENT	PART NUMBER

THIS DRAWING IS A CONTROLLED DOCUMENT.		DWN W.G.LENKER 09 OCT 95	 TE Connectivity Ltd.														
DIMENSIONS: mm [INCHES]		CHK R.STONE 11 OCT 95															
TOLERANCES UNLESS OTHERWISE SPECIFIED:		APVD A.FRANTUM 11 OCT 95	NAME														
<table border="0"> <tr> <td>0 PLC</td> <td>± -</td> </tr> <tr> <td>1 PLC</td> <td>± -</td> </tr> <tr> <td>2 PLC</td> <td>± 0.13 [.005]</td> </tr> <tr> <td>3 PLC</td> <td>± -</td> </tr> <tr> <td>4 PLC</td> <td>± -</td> </tr> <tr> <td>ANGLES</td> <td>± -</td> </tr> </table>		0 PLC	± -	1 PLC	± -	2 PLC	± 0.13 [.005]	3 PLC	± -	4 PLC	± -	ANGLES	± -	PRODUCT SPEC 108-1579	WIRE ENTRY SEAL KIT, UNASSEMBLED, SIZE 17-16, CPC		
0 PLC	± -																
1 PLC	± -																
2 PLC	± 0.13 [.005]																
3 PLC	± -																
4 PLC	± -																
ANGLES	± -																
MATERIAL SEE CALLOUTS		FINISH -	APPLICATION SPEC -	SIZE A3	CAGE CODE 00779												
		WEIGHT	DRAWING NO C=213920	RESTRICTED TO -													
CUSTOMER DRAWING			SCALE 2:1	SHEET 1 OF 1	REV D												

Mouser Electronics

Authorized Distributor

Click to View Pricing, Inventory, Delivery & Lifecycle Information:

[TE Connectivity:](#)

[213920-2](#)