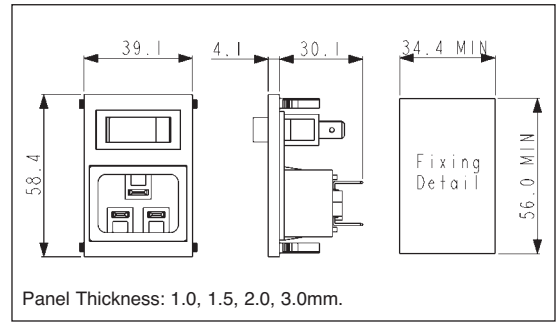


**C20 IEC Inlet - Vertical**

**VERTICAL MODULE ARRANGEMENT**

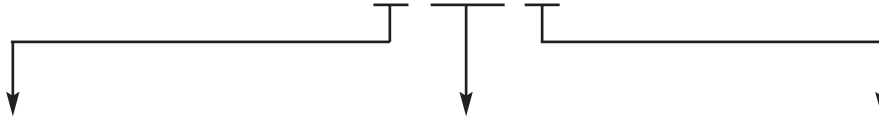


- Inlet with 4.8mm or 6.3mm tabs
- Single Pole Switch marked I/O
- Illuminated, red or green, switches
- High inrush non-illuminated switch



**How to Order**

**BZV xx / xxxxx / xx**



Type of Inlet	Filtered or Non Filtered Inlet	Combination of Other Components
C20 Power Inlet (cold condition), 4.8 or 6.3mm tabs: <b>49</b> = PX0598/63 <b>50</b> = PX0598/48	Z0000 = Non Filtered	Single Pole Switch: <b>01</b> = S.P. Switch Single Pole Switch Marked (I/O): <b>69</b> = S.P. Switch (I/O) Single Pole Illuminated Switch: <b>02</b> = S.P. Illuminated Red <b>08</b> = S.P. Illuminated Green Single Pole Non-illuminated High Inrush Switch Marked I/O: <b>98</b> = S.P. High Inrush Switch (I/O) Single Pole Illuminated (Red or Green 250v Neon) Switch Marked I/O: <b>71</b> = S.P. Switch Illuminated Red (I/O) <b>74</b> = S.P. Switch Illuminated Green (I/O)

Note: For technical details of individual components please see page 74