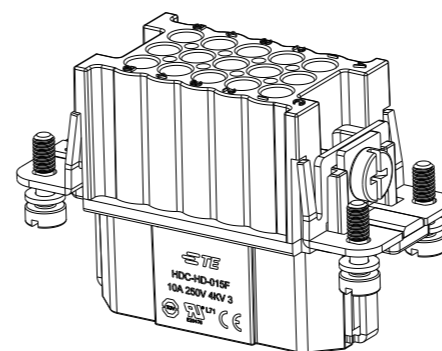
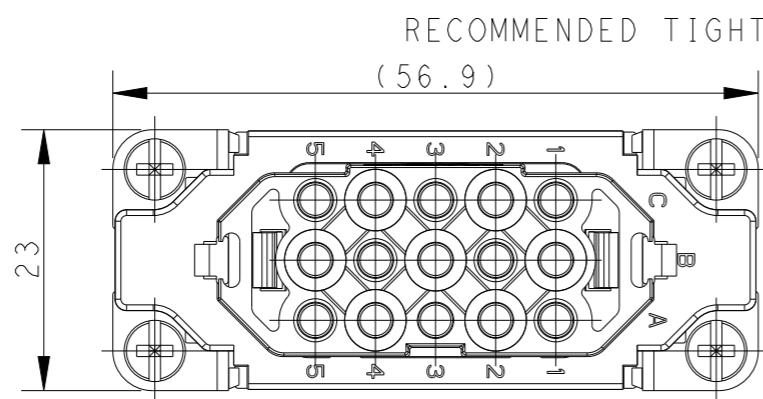
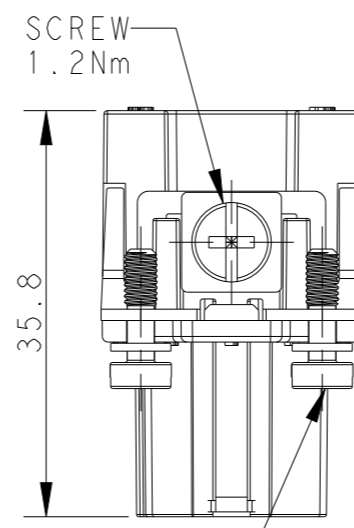
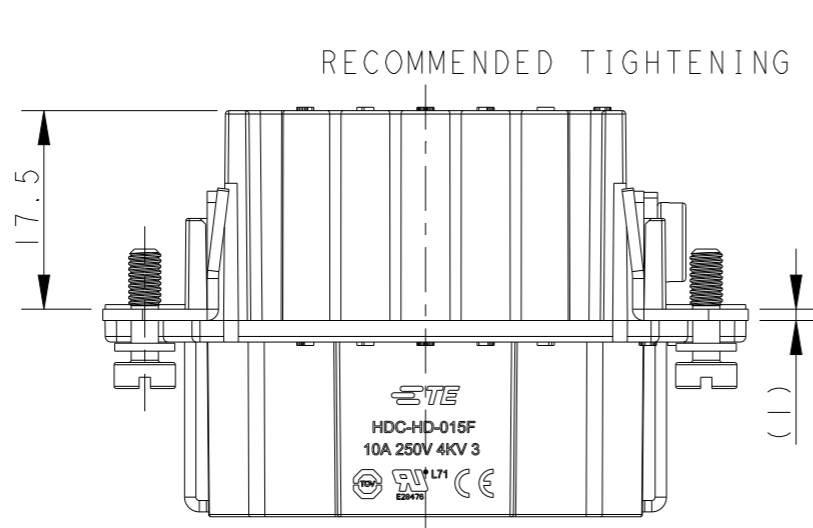
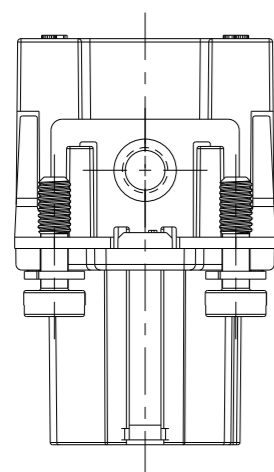
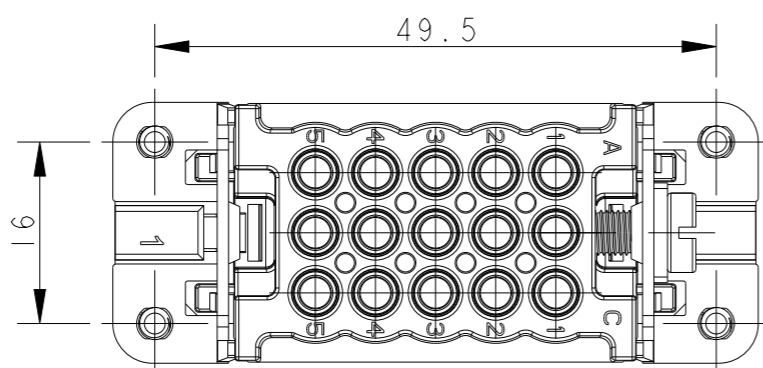


REVISIONS

P	LTR	DESCRIPTION	DATE	DWN	APVD
A		INITIAL RELEASE	16DEC2014	HMR	CW
B		ECR-15-013292	16SEP2015	DL	CW
C		ECR-21-105750	06JUL2021	BS	CW



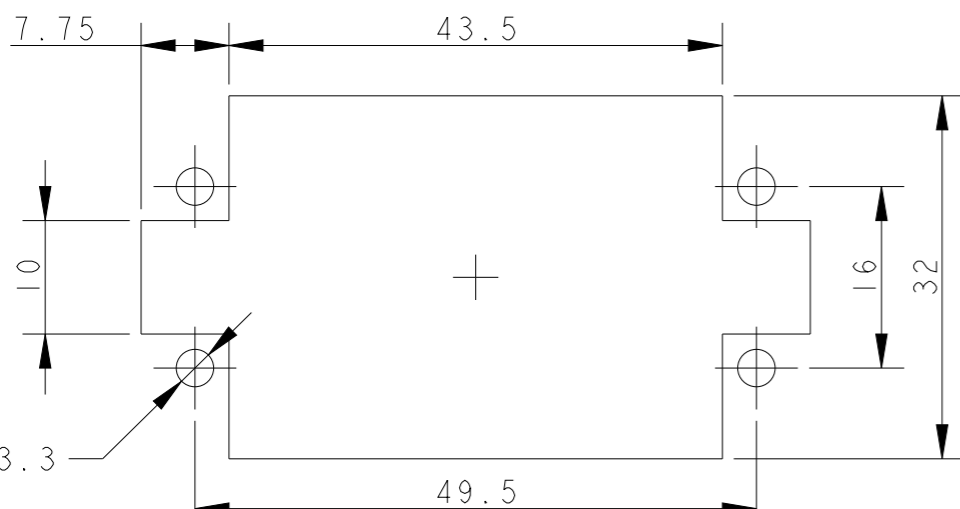
SCALE 1:1

NOTES:

- TECHNICAL CHARACTERISTICS:  
 INSULATION MATERIAL: PC  
 RATED VOLTAGE: 250 V  
 RATED CURRENT: 10 A  
 INSULATION RESISTANCE:  $\geq 400M\Omega$   
 RATED IMPULSE VOLTAGE: 4 KV  
 POLLUTION DEGREE: 3  
 FLAMMABILITY: UL94V-0  
 MATING CYCLES: 500 CYCLES  
 OPERATION TEMPERATURE:  $-40-+125^{\circ}C$   
 WIRE RANGE: 0.14-2.5 mm<sup>2</sup> (26-14 AWG)  
 CONTACT TYPE: CRIMP CONTACT
- CONTACT NEED TO BE ORDERED SEPARATELY.  
 (ORDER No. REFER TO DRAWING:T20200X20XX000)

注释:

- 技术参数:  
 绝缘材料: PC  
 额定电压: 250V  
 额定电流: 10A  
 绝缘电阻:  $\geq 400M\Omega$   
 额定脉冲电压: 4 KV  
 污染等级: 3  
 阻燃等级: UL94V-0  
 插拔次数: 500次  
 工作温度:  $-40-+125^{\circ}C$   
 接线范围: 0.14-2.5 mm<sup>2</sup> (26-14 AWG)  
 接线类型: 冷压接
- 端子需要单独订购,  
 (订货号参考图面: T20200X20XX000)



THIS DRAWING IS A CONTROLLED DOCUMENT.

DIMENSIONS:	TOLERANCES UNLESS OTHERWISE SPECIFIED:
mm	
	0 PLC ±-
	1 PLC ±-
	2 PLC ±-
	3 PLC ±-
	4 PLC ±-
	ANGLES ±-
MATERIAL	FINISH
-	-
-	-

DWN	16DEC2014
RAGHAVENDRA H M	
CHK	16DEC2014
CHRIS WANG	
APVD	16DEC2014
XU XIANG	
PRODUCT SPEC	108-137042
APPLICATION SPEC	114-137042
WEIGHT	-
CUSTOMER DRAWING	

HD-015-F		T2020152201-000	
DESCRIPTION		PART NUMBER	
<b>STE</b> TE Connectivity			
NAME HD-015-F			
SIZE	CAGE CODE	DRAWING NO	RESTRICTED TO
A3	-	©T2020152201000	
SCALE 3:2		SHEET 1 OF 1	REV C