



SUPERCLAMPS

Jubilee® Superclamps are manufactured in mild steel zinc plated, all 304 stainless steel and all 316 stainless steel and the latter are predominantly suited for applications where high corrosion resistance is required. These powerful clamps are ideal for marine and offshore oil and gas applications, as well as the food and chemicals industries.

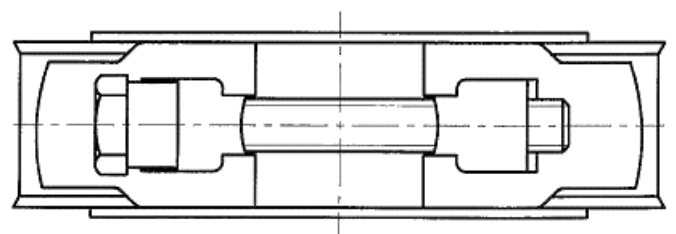


These clamps can also be used in place of SAE J1508 type TB or T-Bolt style clamps.

Available from size 17mm, with size 64mm and above offering the highest tightening torques with 8.8 high tensile bolts allowing an impressive maximum recommended torque of 25 Nm. Naturally with the smaller clamps using a smaller bolt the torques are lower, but even so, the torques are impressive by comparison to alternatives for the same size range.

Superclamps are particularly suited for delivery and suction hoses requiring a very tight seal and agricultural applications, waste water extraction, mining, quarrying or on other sectors where a heavy-duty clamp is required.

- Single nut adjustment
- Smooth band protects hose
- Bridge piece ensures 360° seal
- Solid trunnion maximises torque
- Assembly by manual or automatic tools
- Chromium VI free finish on all materials



Available in:-

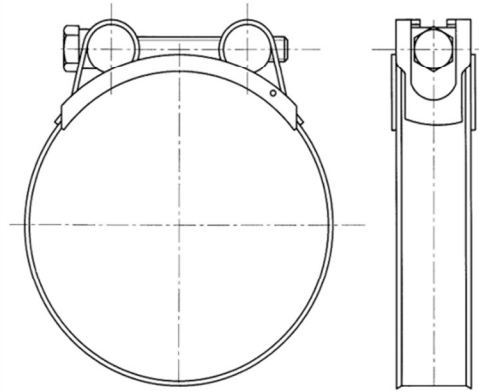
Mild Steel Zinc Plated

304 Stainless Steel

316 Stainless Steel

SUPERCLAMPS

Mild Steel Zinc Plated:-



Part No.	Adjustment mm	Band Width mm	Band Thickness mm	Recommended Torque Nm	Maximum Torque Nm	Screw Head mm	Part No.
JSC019MS	17-19	18.0	0.6	4.5	6.0	8	JSC019MS
JSC022MS	20-22	18.0	0.6	4.5	6.0	8	JSC022MS
JSC025MS	23-25	18.0	0.6	4.5	6.0	8	JSC025MS
JSC028MS	26-28	18.0	0.6	4.5	6.0	8	JSC028MS
JSC031MS	29-31	18.0	0.6	4.5	6.0	8	JSC031MS
JSC035MS	32-35	20.0	1.0	6.0	8.0	10	JSC035MS
JSC039MS	36-39	20.0	1.0	6.0	8.0	10	JSC039MS
JSC043MS	40-43	20.0	1.0	6.0	8.0	10	JSC043MS
JSC047MS	44-47	20.0	1.0	6.0	8.0	10	JSC047MS
JSC051MS	48-51	20.0	1.0	6.0	8.0	10	JSC051MS
JSC055MS	52-55	20.0	1.0	6.0	8.0	10	JSC055MS
JSC059MS	56-59	20.0	1.0	6.0	8.0	10	JSC059MS
JSC063MS	60-63	20.0	1.0	6.0	8.0	10	JSC063MS
JSC067MS	64-67	25.0	1.5	18.5	25.0	13	JSC067MS
JSC073MS	68-73	25.0	1.5	18.5	25.0	13	JSC073MS
JSC079MS	74-79	25.0	1.5	18.5	25.0	13	JSC079MS
JSC085MS	80-85	25.0	1.5	18.5	25.0	13	JSC085MS
JSC091MS	86-91	25.0	1.5	18.5	25.0	13	JSC091MS
JSC097MS	92-97	25.0	1.5	18.5	25.0	13	JSC097MS
JSC103MS	98-103	25.0	1.5	18.5	25.0	13	JSC103MS
JSC112MS	104-112	25.0	1.5	18.5	25.0	13	JSC112MS
JSC121MS	113-121	25.0	1.5	18.5	25.0	13	JSC121MS
JSC130MS	122-130	25.0	1.5	18.5	25.0	13	JSC130MS
JSC139MS	131-139	25.0	1.5	18.5	25.0	13	JSC139MS
JSC148MS	140-148	25.0	1.5	18.5	25.0	13	JSC148MS
JSC161MS	149-161	25.0	1.8	18.5	25.0	13	JSC161MS
JSC174MS	162-174	25.0	1.8	18.5	25.0	13	JSC174MS
JSC187MS	175-187	25.0	1.8	18.5	25.0	13	JSC187MS
JSC200MS	188-200	25.0	1.8	18.5	25.0	13	JSC200MS
JSC213MS	201-213	25.0	1.8	18.5	25.0	13	JSC213MS
JSC226MS	214-226	25.0	1.8	18.5	25.0	13	JSC226MS
JSC239MS	227-239	25.0	1.8	18.5	25.0	13	JSC239MS
JSC252MS	240-252	25.0	1.8	18.5	25.0	13	JSC252MS
JSC265MS	253-265	25.0	1.8	18.5	25.0	13	JSC265MS

Quality Assurance:- DIN
3017

Corrosion Resistance: 168 hours NSS Test

Fastening: A/F screw – see table

Industry Recommendations:- 



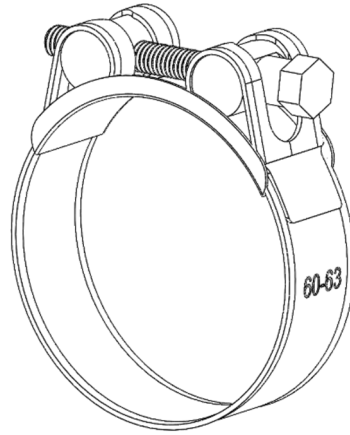
SAE J1508 Surface Vehicle Standards-Hose Clamp Specifications, Type TB is referenced in the quality control methods for the design/manufacture of the Jubilee Superclamps Range.

Mild Steel Zinc Plated

The finest hose clip
in the world



SUPERCLAMPS 304 Stainless Steel:-



Part No.	Adjustment mm	Band Width mm	Band Thickness mm	Recommended Torque Nm	Maximum Torque Nm	Screw Head mm	Part No.
JSC019SS	17-19	18.0	0.6	4.5	6.0	8	JSC019SS
JSC022SS	20-22	18.0	0.6	4.5	6.0	8	JSC022SS
JSC025SS	23-25	18.0	0.6	4.5	6.0	8	JSC025SS
JSC028SS	26-28	18.0	0.6	4.5	6.0	8	JSC028SS
JSC031SS	29-31	18.0	0.6	4.5	6.0	8	JSC031SS
JSC035SS	32-35	20.0	1.0	6.0	8.0	10	JSC035SS
JSC039SS	36-39	20.0	1.0	6.0	8.0	10	JSC039SS
JSC043SS	40-43	20.0	1.0	6.0	8.0	10	JSC043SS
JSC047SS	44-47	20.0	1.0	6.0	8.0	10	JSC047SS
JSC051SS	48-51	20.0	1.0	6.0	8.0	10	JSC051SS
JSC055SS	52-55	20.0	1.0	6.0	8.0	10	JSC055SS
JSC059SS	56-59	20.0	1.0	6.0	8.0	10	JSC059SS
JSC063SS	60-63	20.0	1.0	6.0	8.0	10	JSC063SS
JSC067SS	64-67	25.0	1.2	18.5	25.0	13	JSC067SS
JSC073SS	68-73	25.0	1.2	18.5	25.0	13	JSC073SS
JSC079SS	74-79	25.0	1.2	18.5	25.0	13	JSC079SS
JSC085SS	80-85	25.0	1.2	18.5	25.0	13	JSC085SS
JSC091SS	86-91	25.0	1.2	18.5	25.0	13	JSC091SS
JSC097SS	92-97	25.0	1.2	18.5	25.0	13	JSC097SS
JSC103SS	98-103	25.0	1.2	18.5	25.0	13	JSC103SS
JSC112SS	104-112	25.0	1.2	18.5	25.0	13	JSC112SS
JSC121SS	113-121	25.0	1.2	18.5	25.0	13	JSC121SS
JSC130SS	122-130	25.0	1.2	18.5	25.0	13	JSC130SS
JSC139SS	131-139	25.0	1.2	18.5	25.0	13	JSC139SS
JSC148SS	140-148	25.0	1.2	18.5	25.0	13	JSC148SS
JSC161SS	149-161	25.0	1.5	18.5	25.0	13	JSC161SS
JSC174SS	162-174	25.0	1.5	18.5	25.0	13	JSC174SS
JSC187SS	175-187	25.0	1.5	18.5	25.0	13	JSC187SS
JSC200SS	188-200	25.0	1.5	18.5	25.0	13	JSC200SS
JSC213SS	201-213	25.0	1.5	18.5	25.0	13	JSC213SS
JSC226SS	214-226	25.0	1.5	18.5	25.0	13	JSC226SS
JSC239SS	227-239	25.0	1.5	18.5	25.0	13	JSC239SS
JSC252SS	240-252	25.0	1.5	18.5	25.0	13	JSC252SS
JSC265SS	253-265	25.0	1.5	18.5	25.0	13	JSC265SS

Quality Assurance:- **DIN**
3017

Corrosion Resistance: 1000 hours NSS Test

Fastening: A/F screw – see table

Industry Recommendations:-



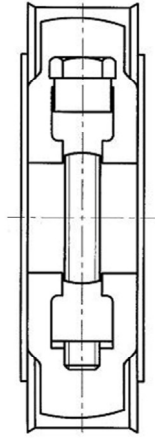
SAE J1508 Surface Vehicle Standards-Hose Clamp Specifications, Type TB is referenced in the quality control methods for the design/manufacture of the Jubilee Superclamps Range.

304 Stainless Steel

**The finest hose clip
in the world**

SUPERCLAMPS

316 Stainless Steel (HNSS):-



Part No.	Adjustment mm	Band Width mm	Band Thickness mm	Recommended Torque Nm	Maximum Torque Nm	Screw Head mm	Part No.
JSC019SS316	17-19	18.0	0.6	4.5	6.0	8	JSC019SS316
JSC022SS316	20-22	18.0	0.6	4.5	6.0	8	JSC022SS316
JSC025SS316	23-25	18.0	0.6	4.5	6.0	8	JSC025SS316
JSC028SS316	26-28	18.0	0.6	4.5	6.0	8	JSC028SS316
JSC031SS316	29-31	18.0	0.6	4.5	6.0	8	JSC031SS316
JSC035SS316	32-35	20.0	1.0	6.0	8.0	10	JSC035SS316
JSC039SS316	36-39	20.0	1.0	6.0	8.0	10	JSC039SS316
JSC043SS316	40-43	20.0	1.0	6.0	8.0	10	JSC043SS316
JSC047SS316	44-47	20.0	1.0	6.0	8.0	10	JSC047SS316
JSC051SS316	48-51	20.0	1.0	6.0	8.0	10	JSC051SS316
JSC055SS316	52-55	20.0	1.0	6.0	8.0	10	JSC055SS316
JSC059SS316	56-59	20.0	1.0	6.0	8.0	10	JSC059SS316
JSC063SS316	60-63	20.0	1.0	6.0	8.0	10	JSC063SS316
JSC067SS316	64-67	25.0	1.2	18.5	25.0	13	JSC067SS316
JSC073SS316	68-73	25.0	1.2	18.5	25.0	13	JSC073SS316
JSC079SS316	74-79	25.0	1.2	18.5	25.0	13	JSC079SS316
JSC085SS316	80-85	25.0	1.2	18.5	25.0	13	JSC085SS316
JSC091SS316	86-91	25.0	1.2	18.5	25.0	13	JSC091SS316
JSC097SS316	92-97	25.0	1.2	18.5	25.0	13	JSC097SS316
JSC103SS316	98-103	25.0	1.2	18.5	25.0	13	JSC103SS316
JSC112SS316	104-112	25.0	1.2	18.5	25.0	13	JSC112SS316
JSC121SS316	113-121	25.0	1.2	18.5	25.0	13	JSC121SS316
JSC130SS316	122-130	25.0	1.2	18.5	25.0	13	JSC130SS316
JSC139SS316	131-139	25.0	1.2	18.5	25.0	13	JSC139SS316
JSC148SS316	140-148	25.0	1.2	18.5	25.0	13	JSC148SS316
JSC161SS316	149-161	25.0	1.5	18.5	25.0	13	JSC161SS316
JSC174SS316	162-174	25.0	1.5	18.5	25.0	13	JSC174SS316
JSC187SS316	175-187	25.0	1.5	18.5	25.0	13	JSC187SS316
JSC200SS316	188-200	25.0	1.5	18.5	25.0	13	JSC200SS316
JSC213SS316	201-213	25.0	1.5	18.5	25.0	13	JSC213SS316
JSC226SS316	214-226	25.0	1.5	18.5	25.0	13	JSC226SS316
JSC239SS316	227-239	25.0	1.5	18.5	25.0	13	JSC239SS316
JSC252SS316	240-252	25.0	1.5	18.5	25.0	13	JSC252SS316
JSC265SS316	253-265	25.0	1.5	18.5	25.0	13	JSC265SS316

Quality Assurance:- DIN
3017

Corrosion Resistance: 2000 hours NSS Test

Fastening: A/F screw – see table

Industry Recommendations:-



SAE INTERNATIONAL SAE J1508 Surface Vehicle Standards-Hose Clamp Specifications, Type TB is referenced in the quality control methods for the design/manufacture of the Jubilee Superclamps Range.

316 Stainless Steel

The finest hose clip
in the world