

2-2366509-2 ✓ ACTIVE

DEUTSCH | DEUTSCH NTSEAL

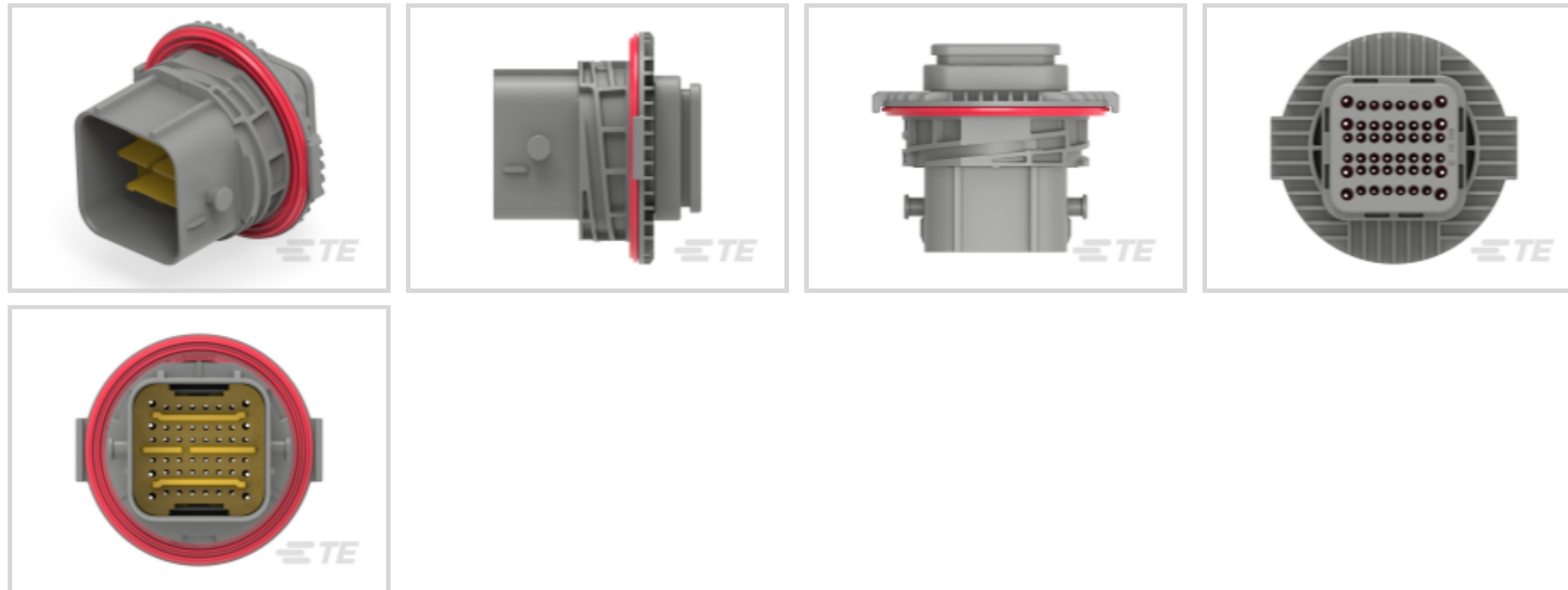
TE Internal #: 2-2366509-2

Receptacle, Cable-to-Cable, 48 Position, Sealable, Gray, Wire & Cable, Power & Signal, Cable Mount (Free-Hanging), DEUTSCH NTSEAL

[View on TE.com >](#)



Connectors > Automotive Connectors > Automotive Housings



Connector & Housing Type: **Receptacle**

Connector System: **Cable-to-Cable**

Number of Positions: **48**

Sealable: **Yes**

Hybrid Connector: **Yes**

Features

Product Type Features

Connector Shape	Rectangular
Connector & Housing Type	Receptacle
Connector System	Cable-to-Cable
Sealable	Yes
Hybrid Connector	Yes
Primary Locking Feature	Locking Lance
Connector & Contact Terminates To	Wire & Cable

Configuration Features

Number of Positions	48
Number of Rows	6

Electrical Characteristics

Nominal Voltage Architecture	24 V
------------------------------	------

Body Features

Primary Product Color	Gray
-----------------------	------



Connector & Keying Code	B
-------------------------	---

Contact Features

Contact Size	Size 16, Size 20
Contact Current Rating (Max)	13 A

Mechanical Attachment

Mating Alignment Type	Keyed
Mating Alignment	With
Connector Mounting Type	Cable Mount (Free-Hanging)

Usage Conditions

Operating Temperature (Max)	125 °C[257 °F]
Operating Temperature Range	-40 – 125 °C[-40 – 257 °F]

Operation/Application

Circuit Application	Power & Signal
---------------------	----------------

Other

Connector Position Assurance Capable	Yes
--------------------------------------	-----

Product Compliance

[For compliance documentation, visit the product page on TE.com>](#)

EU RoHS Directive 2011/65/EU	Compliant
EU ELV Directive 2000/53/EC	Compliant
China RoHS 2 Directive MIIT Order No 32, 2016	No Restricted Materials Above Threshold
EU REACH Regulation (EC) No. 1907/2006	Current ECHA Candidate List: JUNE 2023 (235) Candidate List Declared Against: JAN 2023 (233) Does not contain REACH SVHC
Halogen Content	Low Halogen - Br, Cl, F, I < 900 ppm per homogenous material. Also BFR/CFR/PVC Free
Solder Process Capability	Not reviewed for solder process capability

Product Compliance Disclaimer

This information is provided based on reasonable inquiry of our suppliers and represents our current actual knowledge based on the information they provided. This information is subject to change. The part numbers that TE has identified as EU RoHS compliant have a maximum concentration of 0.1% by weight in homogenous materials for lead, hexavalent chromium, mercury, PBB, PBDE, DBP, BBP, DEHP, DIBP, and 0.01% for cadmium, or qualify for an exemption to these limits as defined in the Annexes of Directive 2011/65/EU (RoHS2). Finished electrical and electronic equipment products

will be CE marked as required by Directive 2011/65/EU. Components may not be CE marked. Additionally, the part numbers that TE has identified as EU ELV compliant have a maximum concentration of 0.1% by weight in homogenous materials for lead, hexavalent chromium, and mercury, and 0.01% for cadmium, or qualify for an exemption to these limits as defined in the Annexes of Directive 2000/53/EC (ELV). Regarding the REACH Regulation, the information TE provides on SVHC in articles for this part number is based on the latest European Chemicals Agency (ECHA) 'Guidance on requirements for substances in articles' posted at this URL: <https://echa.europa.eu/guidance-documents/guidance-on-reach>

Compatible Parts

TE Part # 2366517-2
FIX RING,CONN KIT

TE Part # 2366494-2
48POS,HYBRID,SOC HSG ASSY,SLD, COD B

TE Part # 2366517-1
FIX RING,CONN KIT

TE Part # 2366517-3
FIX RING,CONN KIT

TE Part # 2366517-4
FIX RING,CONN KIT

TE Part # 2373921-3
CVTY PLUG,PIN DIA 2.5,CVTY DIA,2.5, BLU

TE Part # 2373921-4
CVTY PLUG,PIN DIA 1.6,CVTY DIA,2.0, GRN

TE Part # 2378521-1
BACKSHELL,CONN KIT

TE Part # 2378527-1
BACKSHELL,CONN KIT

Also in the Series | DEUTSCH NTSEAL

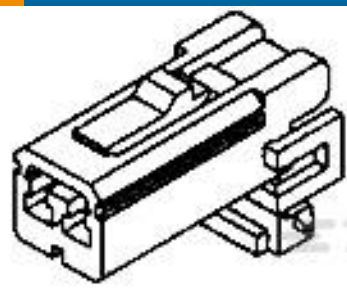
Automotive Connector Caps & Covers (5)

Automotive Housings(37)

Automotive Seals & Cavity Plugs(2)

Other Automotive Connector Accessories(5)

Customers Also Bought



TE Part #368538-1
070 MLC PLUG 2P HSG



TE Part #2292860-3
AS16 BACKSHELL, 2P CAP, NC08, MC



TE Part #2366517-2
FIX RING, CONN KIT



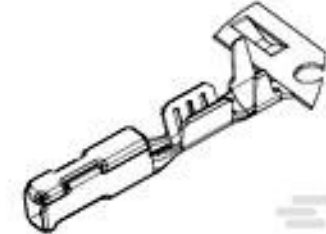
TE Part #DT04-12PB-P030
REC, 12P, BLK, BUSBAR 4X3, NICKEL, B



TE Part #1379668-1
24W PLUG HSG ASSY BLACK



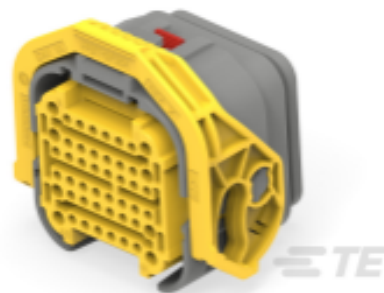
TE Part #2-1823440-3
22POS, MIXED, REC HSG, ASSY, SEALED



TE Part #2035334-2
CONTACT, FEMALE 0.64, 18 AWG



TE Part #2-2366509-1
48POS, HYBRID, PIN HSG ASSY, SLD, COD A



TE Part #2366494-2
48POS, HYBRID, SOC HSG ASSY, SLD, COD B



TE Part #2366517-3
FIX RING, CONN KIT

Documents

Product Drawings

[48POS, HYBRID, PIN HSG ASSY, SLD, COD B](#)

English

[48POS, HYBRID, PIN HSG ASSY, SLD, COD B](#)

English

CAD Files

[3D PDF](#)

3D

Customer View Model

[ENG_CVM_CVM_2-2366509-2_B.2d_dxf.zip](#)

English

Customer View Model

[ENG_CVM_CVM_2-2366509-2_B.3d_igs.zip](#)

English

Customer View Model

[ENG_CVM_CVM_2-2366509-2_B.3d_stp.zip](#)

English

By downloading the CAD file I accept and agree to the [Terms and Conditions](#) of use.



Product Specifications

Product Specification

English

Agency Approvals

UL Report

English