

INTERCONNECTS

SERIES 830, 831, 832, 833 • 2mm GRID HEADERS AND SOCKETS • SINGLE AND DOUBLE ROW STRIPS

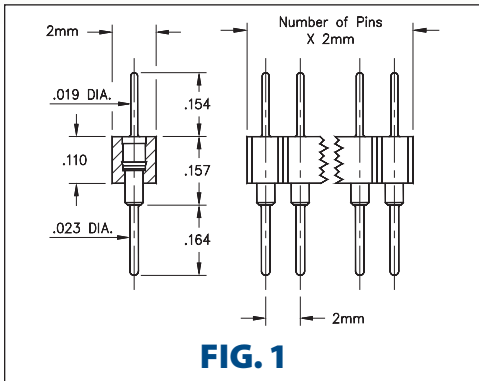


FIG. 1

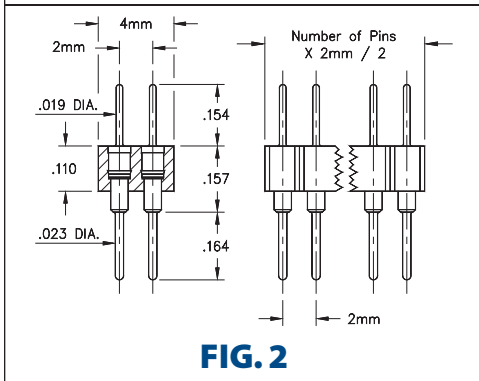


FIG. 2

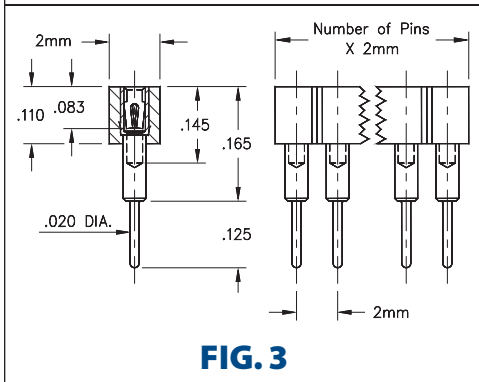


FIG. 3

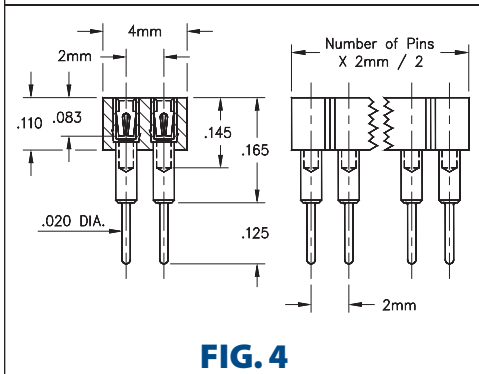
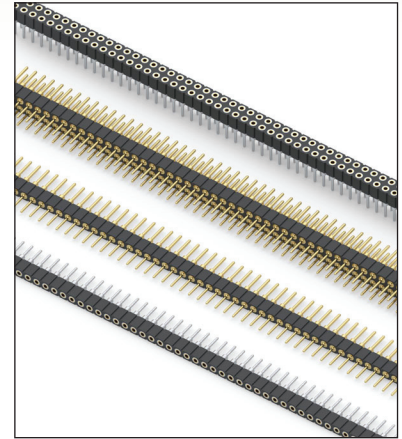


FIG. 4

- Series 830 single & double row interconnects have 2mm pin spacing and permit board stacking as low as .322"
- Pin headers (830 & 832 series) use MM #5012 pins. See page 208 for details
- Sockets (831 & 833 series) use MM #1802 receptacles and accept pin diameters from .015"-.025". See page 169 for details
- Contact is rated at 3 amps
- Insulators are high temperature thermoplastic, suitable for all soldering operations



ORDERING INFORMATION

| | | | | | |
|--|-------------------------|------------------------------|----------------------------------|-----------|-----------|
| FIG. 1 | Series 830...001 | Single Row Pin Header | | | |
| | 830-XX-0 | -10-001000 | Specify number of pins → 01-50 | | |
| FIG. 2 | Series 832...001 | Double Row Pin Header | | | |
| | 832-XX- | -10-001000 | Specify number of pins → 004-100 | | |
| <div style="display: flex; justify-content: space-around; align-items: center;"> <div style="border: 1px solid black; padding: 5px; background-color: #d4edda;">RoHS-2 2011/65/EU</div> <div style="border: 1px solid black; border-radius: 50%; padding: 5px;">XX=Plating Code See Below</div> <div style="border: 1px solid black; border-radius: 50%; padding: 5px;">For Electrical, Mechanical & Environmental Data, See page 264</div> </div> | | | | | |
| SPECIFY PLATING CODE XX= | | 10 | 90 | 40 | |
| Pin Plating | | 10 μ" Au | 200 μ" Sn/Pb | 200 μ" Sn | |
| FIG. 3 | Series 831...001 | Single Row Socket | | | |
| | 831-XX-0 | -10-001000 | Specify number of pins → 01-50 | | |
| FIG. 4 | Series 833...001 | Double Row Socket | | | |
| | 833-XX- | -10-001000 | Specify number of pins → 004-100 | | |
| <div style="display: flex; justify-content: space-around; align-items: center;"> <div style="border: 1px solid black; padding: 5px; background-color: #d4edda;">RoHS-2 2011/65/EU</div> <div style="border: 1px solid black; border-radius: 50%; padding: 5px;">XX=Plating Code See Below</div> <div style="border: 1px solid black; border-radius: 50%; padding: 5px;">For Electrical, Mechanical & Environmental Data, See page 264</div> </div> | | | | | |
| SPECIFY PLATING CODE XX= | | 91 | 93 | 41 | 43 |
| Sleeve (Pin) | | 200 μ" Sn/Pb | 200 μ" Sn/Pb | 200 μ" Sn | 200 μ" Sn |
| Contact (Clip) | | 10 μ" Au | 30 μ" Au | 10 μ" Au | 30 μ" Au |
| | | | | 47 | Au Flash |

Mouser Electronics

Authorized Distributor

Click to View Pricing, Inventory, Delivery & Lifecycle Information:

[Mill-Max:](#)

[833-47-100-10-001000](#) [831-47-002-10-001000](#) [831-47-010-10-001000](#) [831-47-040-10-001000](#) [831-47-050-10-001000](#)