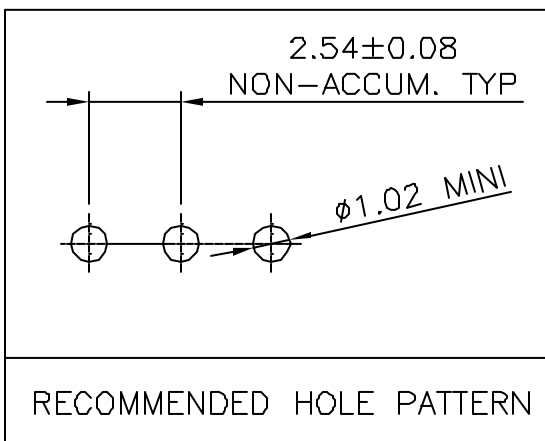
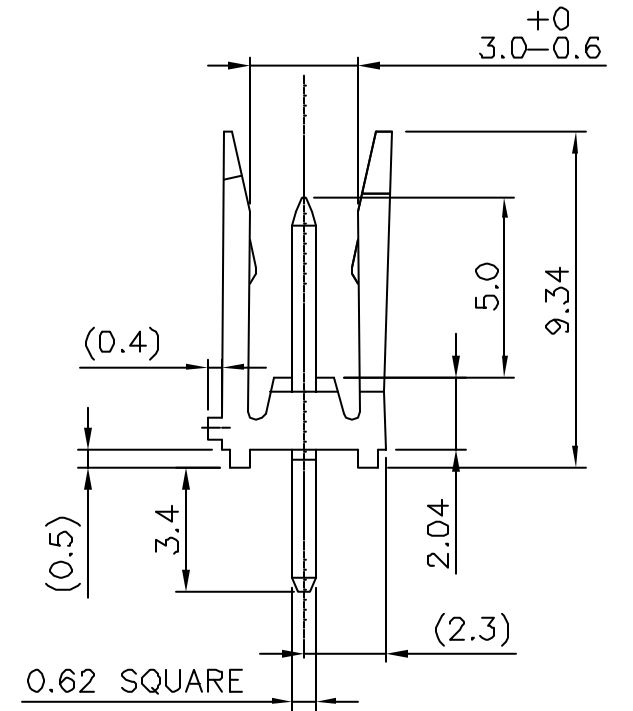
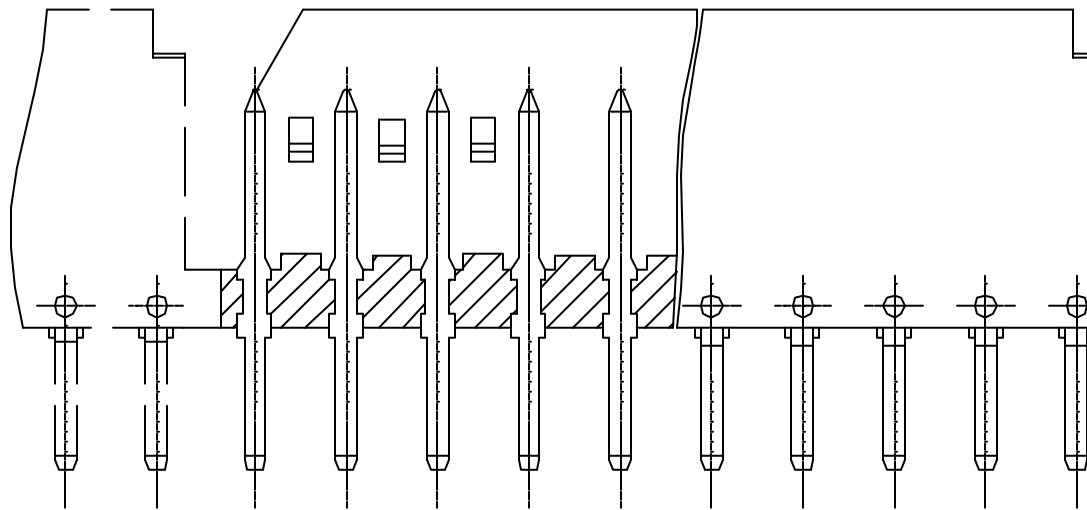
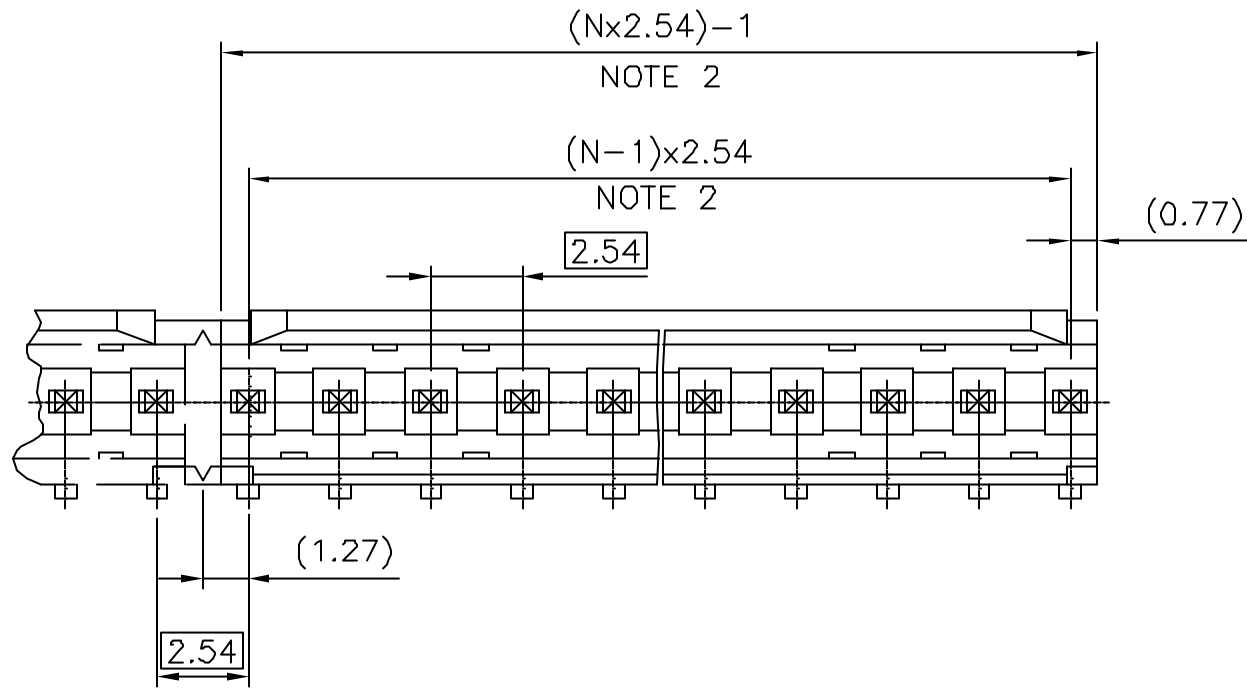


PRODUCT NUMBER
SEE SHEET 2

NOTES :

1. MINI PUSH-OUT FORCE TERMINAL IN BOTH DIRECTIONS 22N.
2. TO DETERMINE DIMENSIONS:
N = NUMBER OF POSITIONS PER ROW
EXAMPLE: 8 POS: $(N \times 2.54) - 1 = 19.32$ mm



mat'l. code				surface	tolerance	projection	product family
SEE NOTES				ISO 1302	ISO 406	ISO 1101	DUBOX
ltr	ecn	na	dr	date	tolerances unless	otherwise specified	title
N	F06-0228	LMU	06.07.11		angles	.X ± 0.3	SHR. HEADER
P	F06-0319	LMU	06.11.10		Linear	.XX ± 0.15	STR SR TMT
R	F07-0147	LMU	07.03.01			.XXX ± 0.05	
S	F07-0220	J.CO	07.06.14	dr	D LEGRAND	99.03.03	dwg no
K	F10343	DLE	01.06.12	engr	JM PHAMVAN	99.03.03	sheet 1 of 2
L	F04-0317	LMU	04.07.13	chr	JM PHAMVAN	99.03.03	size
M	F05-0159	LMU	05.03.31	appd	JM PHAMVAN	99.03.03	A3
sheet	revision	S	D				type
index	sheet	1	2				CUSTOMER Drawing



STANDARD PRODUCT NUMBER
76384-YXX

PLATING CODE _____ NUMBER OF POSITIONS: 02 TO 18.
 3= 0.76µm GOLD ON CONTACT AREA.
 3.81µm TIN-LEAD ON TAIL OVER 1.27µm Ni MIN.
 4= 3.81µm TIN LEAD OVER 1.27µm Ni MIN

NOTES:

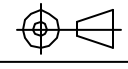
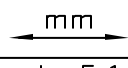
- 1 - HOUSING MAT'L: THERMOPLASTIC GLASS FILLED
FLAME RETARDANT PER UL 94 V-O COLOR: BLUE.
- 2 - TERMINAL MATERIAL: COPPER ALLOY.
- 3 - 2 UP TO 6 POSITIONS, PRODUCT PACKED IN PLASTIC BAG.
7 UP TO 18 POSITIONS, PRODUCT PACKED IN TUBE.
- 4 - ONLY DASH NUMBER -X02 AND -X03
ALWAYS TEN (10) PRODUCTS MOLDED ASSEMBLY
& DELIVERY TOGETHER ACCORDING PHANTOM LINES.

RoHS COMPLIANT PRODUCT NUMBER
76384-YXXLF

PLATING CODE _____ SUFFIX LETTER "LF" INDICATES THE PRODUCT IS RoHS COMPLIANT, SEE NOTE 5
 3= 0.76µm GOLD ON CONTACT AREA.
 2µm MIN MATTE TIN ON TAIL.
 OVER 1.27µm Ni MIN
 4= 2µm MIN MATTE TIN
 OVER 1.27µm Ni MIN

NOTES:

- 1 - HOUSING MAT'L: THERMOPLASTIC GLASS FILLED
FLAME RETARDANT PER UL 94 V-O COLOR: BLACK.
- 2 - TERMINAL MATERIAL: COPPER ALLOY.
- 3 - 2 UP TO 6 POSITIONS, PRODUCT PACKED IN PLASTIC BAG.
7 UP TO 18 POSITIONS, PRODUCT PACKED IN TUBE.
- 4 - ONLY DASH NUMBER -X02 AND -X03
ALWAYS TEN (10) PRODUCTS MOLDED ASSEMBLY
& DELIVERED ON STRIP ACCORDING PHANTOM LINES.
- 5 - RoHS COMPATIBLE PRODUCT SPECIFICATIONS
 - a - PLATING:
 - "LF" MEANS THE PRODUCT IS LEAD-FREE,
2µm MINIMUM MATTE TIN OVER 1.27µm
MINIMUM NICKEL UNDERPLATE.
 - b - MANUFACTURING PROCESS COMPATIBILITY
 - THE HOUSING WILL WITHSTAND EXPOSURE TO
260°C ±5°C SOLDER BATH TEMPERATURE FOR
5 SECONDS IN A WAVE SOLDER APPLICATION
WITH A 1.6mm MIN THICK CIRCUIT BOARD.
 - c - LABELING:
 - MEETS PACKAGING SPECS AS PER GS-14-920
 - d - LEGAL STATEMENT: SEE GS-22-008

mat'l. code		surface		tolerance		projection		product family		
SEE NOTES		ISO 1302 ✓		ISO 406 ISO 1101				DUBOX		
ltr	ecn na dr date	tolerances unless otherwise specified				mm		title		
A	F05-0159 LMU 05.03.31	angles		.X ±0.3				SHR. HEADER STR SR TMT		
B	F06-0228 LMU 06.07.11	Linear		.XX ±0.15						
C	F07-0147 LMU 07.03.01			.XXX ±0.05						
D	F07-0220 JCO 07.06.14	dr	LMULIN	05.03.25			dwg no		sheet 2 of	size
		engr	J.COMPAGNON	05.03.25			76384		A3	
		chr					type		CUSTOMER Drawing	
		appd	JM.C	05.03.25						
sheet index	revision sheet									



Copyright FCI