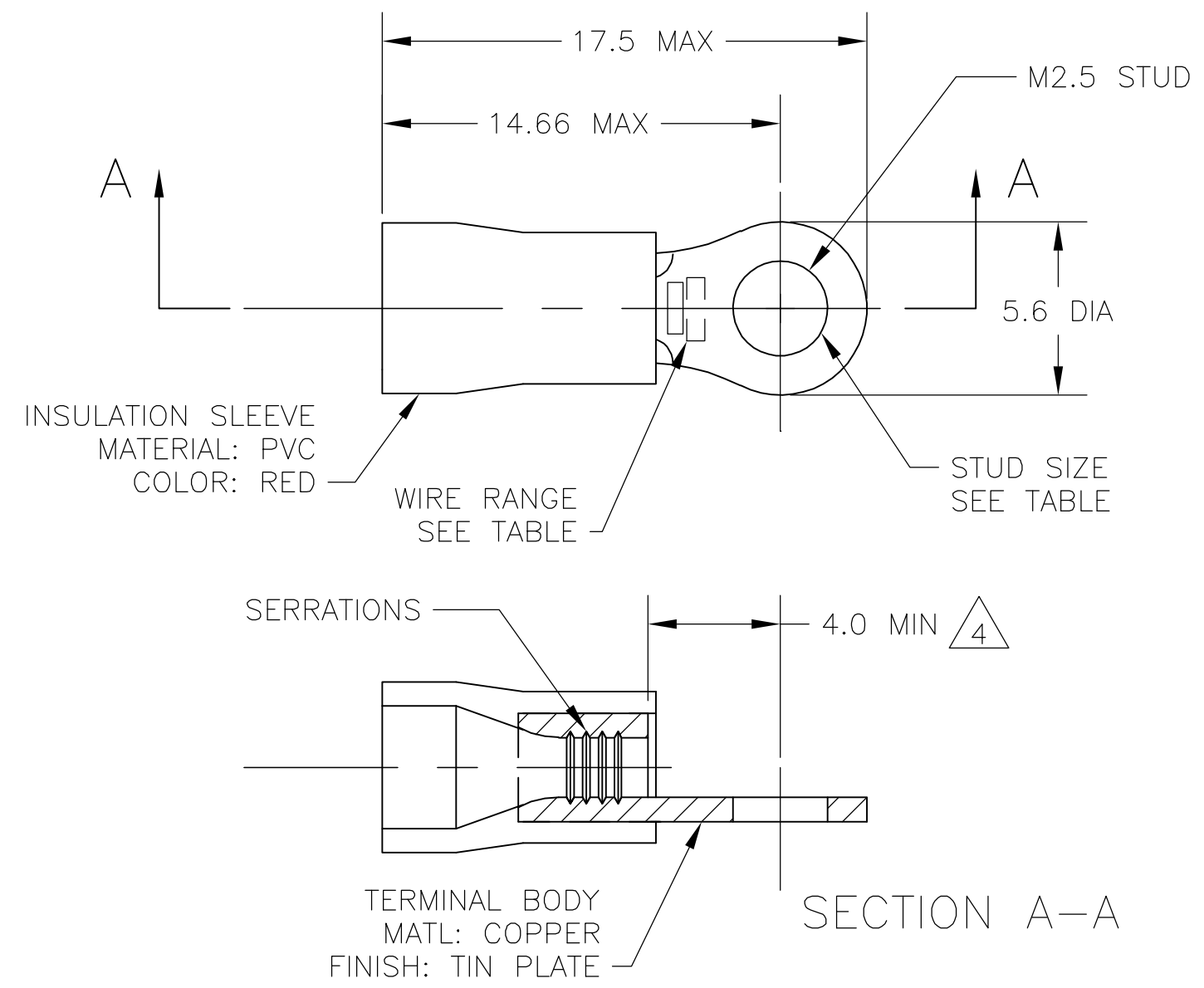


THIS DRAWING IS UNPUBLISHED. RELEASED FOR PUBLICATION
 © COPYRIGHT BY TYCO ELECTRONICS CORPORATION. ALL RIGHTS RESERVED.

LOC	DIST	REVISIONS			
P	LTR	DESCRIPTION	DATE	DWN	APVD
G	02	R1	REV PER ECR-06-001930	13FEB06	HMR TM



- 1 WIRE SIZE IS 22-16 AWG
- 2 WIRE INSULATION DIA: 2.7-3.6
- 3 MATERIAL THICKNESS IS 0.8
- 4 DIMENSION APPLIES FROM EDGE OF METAL WIRE BARREL TO END OF PIN.
- 5 SUPERSEDED BY 342101-1

POLY BAG WITH HEADER	STANDARD	100	5	7-342101-1
PLASTIC BOX	STANDARD	100	5	6-342101-1
TAPED MOUNTED	STANDARD	5000		2-342101-1
PLASTIC BAG	STANDARD	100		342101-1
PACKAGING	LABELLING	QTY		PART NO

DIMENSIONS: INCHES		TOLERANCES UNLESS OTHERWISE SPECIFIED:		DWN		CHK		APVD		NAME		SIZE		CAGE CODE		DRAWING NO		RESTRICTED TO	
0 PLC ± -		1 PLC ± 0.5		jr ruth		T MICHELUTTI		T MICHELUTTI		Tyco Electronics Corporation		A2		00779		C=342101		-	
2 PLC ± -		3 PLC ± -		T MICHELUTTI		T MICHELUTTI		-		Tyco Electronics Corporation		-		-		-		-	
4 PLC ± -		ANGLES ± 1°		-		-		-		Harrisburg, PA 17105-3608		-		-		-		-	
MATERIAL		FINISH		-		-		-		-		-		-		-		-	
CUSTOMER DRAWING										SCALE		5:1		SHEET		1 of 1		REV	
																		R1	