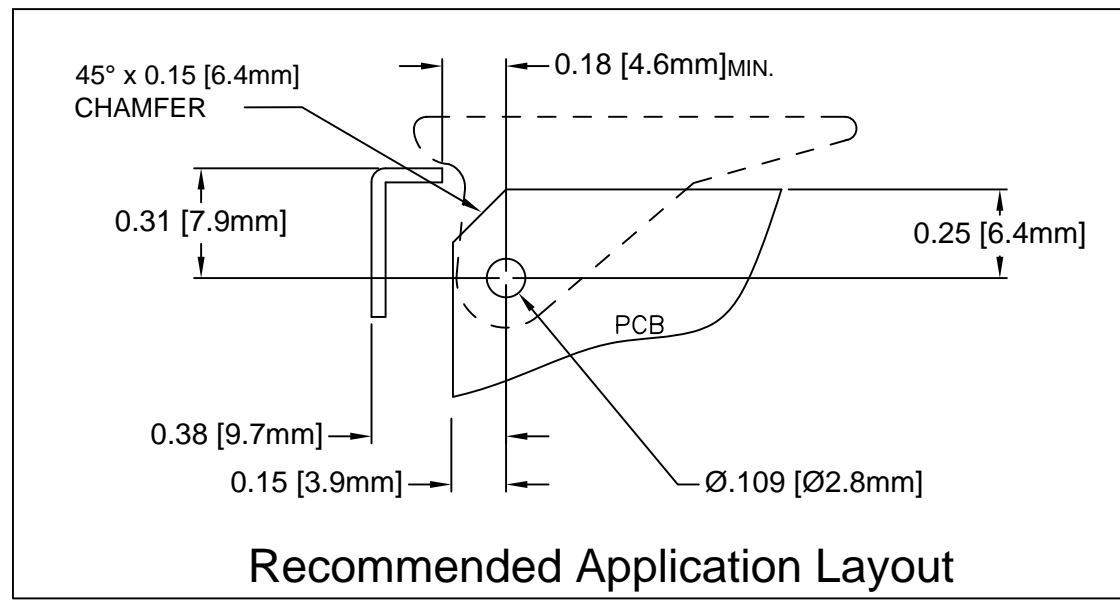
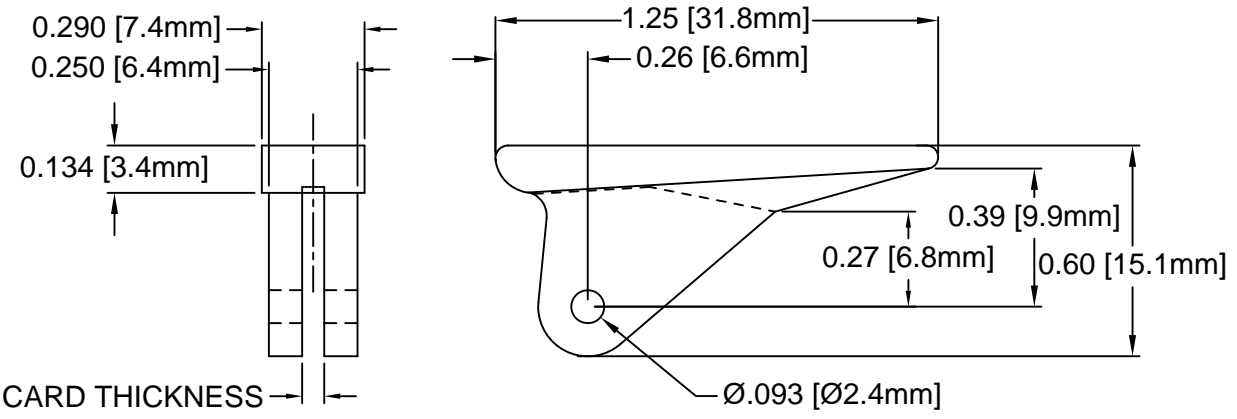




REV.	DESCRIPTION	DATE	APPROVED
E	Production Release	02/24/04	M. C.
F	Added Notes 4, 5, 6 & Color Options Sheet #2	05/16/16	J. C.



PART NO.	COLOR	ROLL PIN	CARD THICK.
CP-66 NT	NATURAL	RP-250	1/16"(1.6mm)
CP-66 WE	WHITE	RP-250	
CP-66 XX	SEE S.#2	RP-250	
CP-69 NT	NATURAL	RP-250	3/32"(2.4mm)
CP-69 WE	WHITE	RP-250	
CP-69 XX	SEE S.#2	RP-250	

5. PRE-ASSEMBLED ROLL PINS AVAILABLE UPON REQUEST.
4. ROLL PINS INCLUDED. PACKAGED SEPARATELY.
3. MATERIAL: NYLON 6/6, 94V-2, WHITE.
2. MATERIAL: NYLON 6/6, 94V-2, NATURAL.
1. GENERAL SPECIFICATIONS: BIVAR MOLDED COMPONENT SPECIFICATION BV00-E101.

STANDARD TOLERANCE (UNLESS OTHERWISE SPECIFIED)		 4 THOMAS, IRVINE, CA. 92618 TEL: (949) 951-8808 FAX: (949) 951-3974	
DECIMALS	ANGULAR		
.X ± .1	X° ± 1°		TITLE: CIRCUIT BOARD CARD EJECTOR
.XX ± .01			PART NO: CP-6X
.XXX ± .005		DESIGNED: S. Irving	DATE: 10/21/98
CHECKED: M. Chen		DATE: 09/09/03	CAGE CODE : 32559 SHEET # 1 OF 2
CAD GENERATED DOCUMENT. DO NOT MEASURE DRAWING.			

Mouser Electronics

Authorized Distributor

Click to View Pricing, Inventory, Delivery & Lifecycle Information:

BIVAR:

[CP-66 GN](#) [CP-66 RD](#) [CP-66 GY](#) [CP-66 AA](#) [CP-66 BE](#) [CP-69-RD](#) [CP-66 BN](#) [CP-66 EB](#) [CP-66 FG](#) [CP-66 LE](#)
[CP-66 NT/PA](#) [CP-66 OE](#) [CP-66 PK](#) [CP-66 VT](#) [CP-66 WE/HS](#) [CP-66 WE/PA](#) [CP-69 BE](#) [CP-69 EB](#) [CP-69 WE/PA](#)
[CP-69 YW/HS](#)