

# Series FR Flowmeters

## FEATURES

- Easy-to-read English or Metric Scales
- Water ranges from 4 CCM to 20 GPM  
Air ranges from 40 CCM to 4000 LPM
- Threaded brass inserts for quick installation
- Easy disassembly and assembly for maintenance
- Durable one-piece clear acrylic construction
- Stable, easy-to-read float
- Superior quality

## APPLICATIONS

- Air sampling equipment
- Aquaculture
- Desalination equipment
- Gas analyzers
- Medical systems
- Photoprocessing equipment
- Water treatment and distribution systems

**SERIES FR2000 FLOW RATES**  
TABLE A \*\*

RANGE	MODEL	RANGE	MODEL
SCFH OF AIR	CODE	LPM OF AIR	CODE
.1-1	2A00	.04-.5	2A12
.2-2	2A01	.1-1	2A13
.4-5	2A02	.2-2.5	2A29
1-10	2A03	.4-5	2A14
2-20	2A04	1-10	2A15
3-30	2A05	2-25	2A16
4-50	2A06	4-50	2A17
10-100	2A07	10-100	2A18
20-200	2A08	GPH OF WATER	
CCM OF WATER		.2-2	2L28
5-50	2L09	.4-5	2L19
10-100	2L10	1-10	2L20
20-240	2L11	2-20	2L21
		4-40	2L22

**SERIES FR4500 FLOW RATES**  
TABLE C

RANGE	MODEL	RANGE	MODEL
SCFM OF AIR	CODE	GPM OF WATER	CODE
.5-5	4A67	.25-2.5	4L64
1-10	4A65	.5-5	4L66
*2-20	4A68	LPM OF WATER	
LPM OF AIR		1-9	4L69
14-140	4A72	2-20	4L71
30-280	4A70	Dual scales: SCFM/SCFH, GPM/GPH, and LPM/LPH	
*80-560	4A73		

\* Minimum 10 PSI Supply Pressure Required when Valve is Specified.

**SERIES FR4000 FLOW RATES**  
TABLE B \*\*

RANGE	MODEL	RANGE	MODEL
SCFH OF AIR	CODE	CCM OF WATER	CODE
.4-5	4A30	4-50	4L38
1-10	4A31	10-120	4L56
2-20	4A32	25-225	4L51
4-40	4A33	40-400	4L50
10-100	4A34	40-660	4L52
14-150	4A35	100-1500	4L53
20-200	4A36	200-3000	4L54
CCM OF AIR		300-3700	4L55
100-1000	4A39	GPH OF WATER	
LPM OF AIR		1-10	4L45
.4-5	4A40	2-25	4L48
1-10	4A41	4-50	4L49
2-20	4A42	6-60	4L46
3-30	4A43	SCFM OF AIR	
4-50	4A44	.3-3	4A37
10-100	4A47		

**SERIES FR5000-S or V FLOW RATES**  
TABLE D

RANGE	MODEL	RANGE	MODEL
SCFM OF AIR	CODE	GPM OF WATER	CODE
3-25	5A50	.4-5	5L56
4-50	5A51	1-10	5L57
10-100	5A52	2-20	5L58
LPM OF AIR		LPM OF WATER	
100-700	5A53	1-19	5L59
100-1400	5A54	4-36	5L60
400-3000	5A55	5-75	5L61

**SERIES FR5000-I FLOW RATES**  
TABLE E

RANGE	MODEL	RANGE	MODEL
SCFM OF AIR	CODE	GPM OF WATER	CODE
3-25	5A50	.4-5	5L56
4-50	5A51	1-10	5L57
10-100	5A52	2-20	5L58
LPM OF AIR		LPM OF WATER	
100-700	5A53	1-19	5L59
100-1400	5A54	4-36	5L60
400-4000	5A55	5-75	5L61

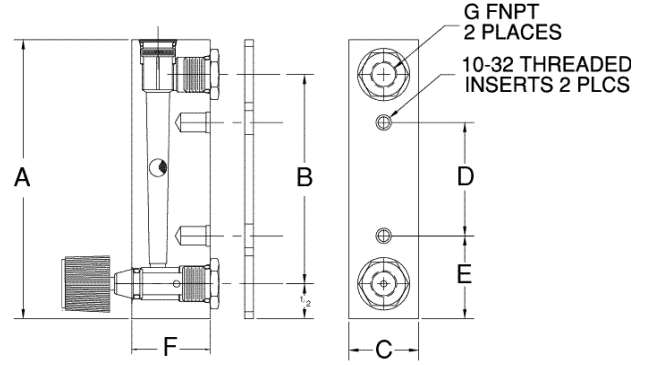
\*\* Available with millimeter scales. Flow curves for a variety of gases and liquids for specific applications may also be ordered.

Periodically, product revisions occur. Please consult the factory for the latest specifications.

# Series FR Flowmeters

SPECIFICATIONS	
<b>ACCURACY:</b>	MODEL FR2000 ±5% FULL SCALE MODEL FR4000 & FR4500 ±3% FULL SCALE MODEL FR5000 ±2% FULL SCALE
<b>FLOAT:</b>	BLACK GLASS STAINLESS STEEL
<b>BODY:</b>	CLEAR ACRYLIC
<b>SEALS:</b>	BUNA-“N” “O” RINGS WITH BRASS OR PVC FITTINGS VITON® “O” RINGS WITH STAINLESS STEEL FITTINGS
<b>PRESSURE:</b>	100 PSIG MAX
<b>TEMPERATURE:</b>	150°F/65°C MAX
<b>FITTINGS:</b>	BRASS, STAINLESS STEEL OR PVC FNPT PIPE CONNECTIONS
<b>VALVES:</b> (OPTIONAL)	MODEL FR2000/4000/4500 BRASS OR STAINLESS STEEL CARTRIDGE TYPE MODEL FR5000 INTEGRAL VALVE ON “V” MODELS INLINE GATE VALVE ON “S” & “I”

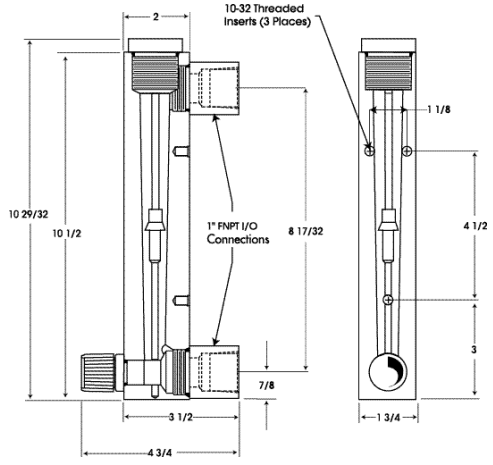
## Series FR2000/FR4000/FR4500



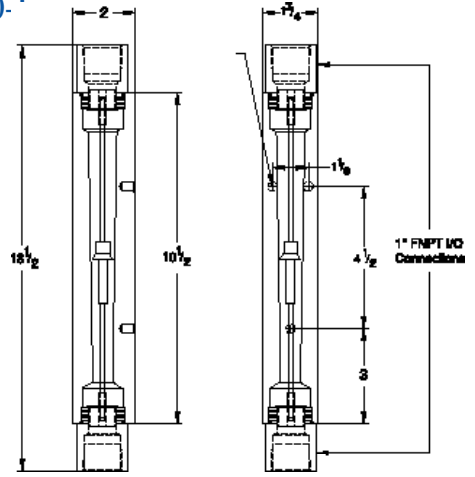
MODEL	DIMENSIONS						
	INCHES		MILLIMETERS (MM)				
FR2000	4"	3"	1"	1-5/8"	1-3/16"	1-1/8"	1/8"
FR4000	6-1/2"	5-1/2"	1-3/8"	3-1/2"	1-1/2"	1-1/8"	1/8"
FR4500*	6-5/8"	5-1/2"	1-1/8"	3-1/2"	1-1/2"	1-3/8"	1/4"

\* DOES NOT INCLUDE 1/8" BACK PLATE!

## Series FR5000-S or V



## Series FR5000-I



FR5000-S or V		PANEL MOUNT								
Inches	10-29/32	10-1/2	2	3-1/2	1"	8-17/32	7/8	1-1/8	4-1/2	3
Millimeters	273	267	50.8	88.9	1"	216	22.2	28.6	114	76.2

FR5000-I		IN-LINE						
Inches	13-1/2	2	10-1/2	1"	1-1/8	1-3/4	4-1/2	3
Millimeters	343	50.8	267	1"	28.6	44.5	114	76.2