

**MTG-GL-174**

REPLACES

DRAWING NUMBER

ISSUE

12
----

RELEASE NUMBER AO18-170

REVISIONS

5	7/96
AO18-262	
6	12/96
AO18-293	
7	7/97
CO-000083	
8	8/97
CO-000106	
9	CO/395
I WEIR 6/98	
10	CO*2372
M.LOCH 05/02	
11	CO*2818
M.LOCH 07/03	
12	0007574
KSR 29SEP04	

Honeywell

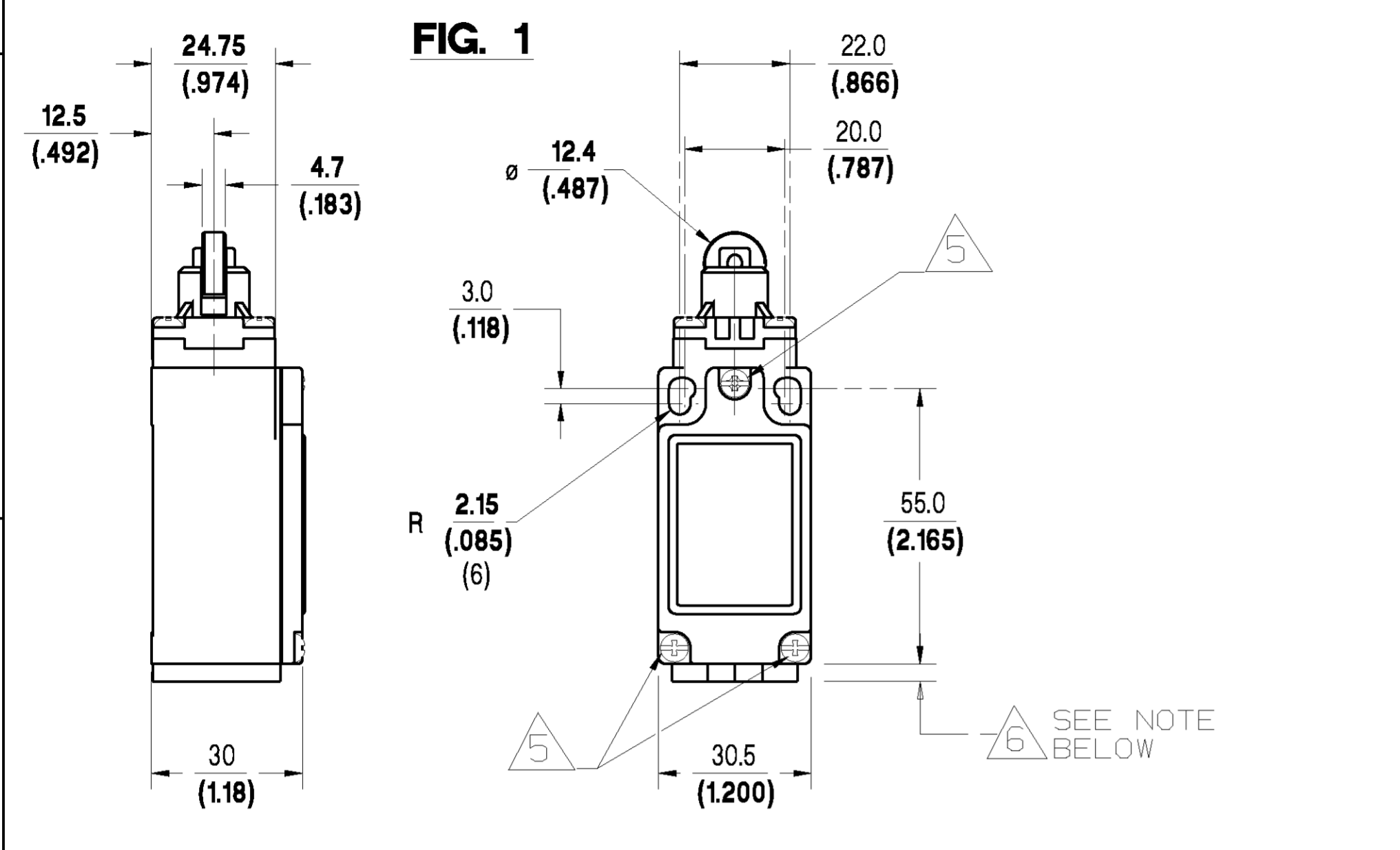
**LIMIT SWITCH**

CATALOGUE LISTING

**GLS**

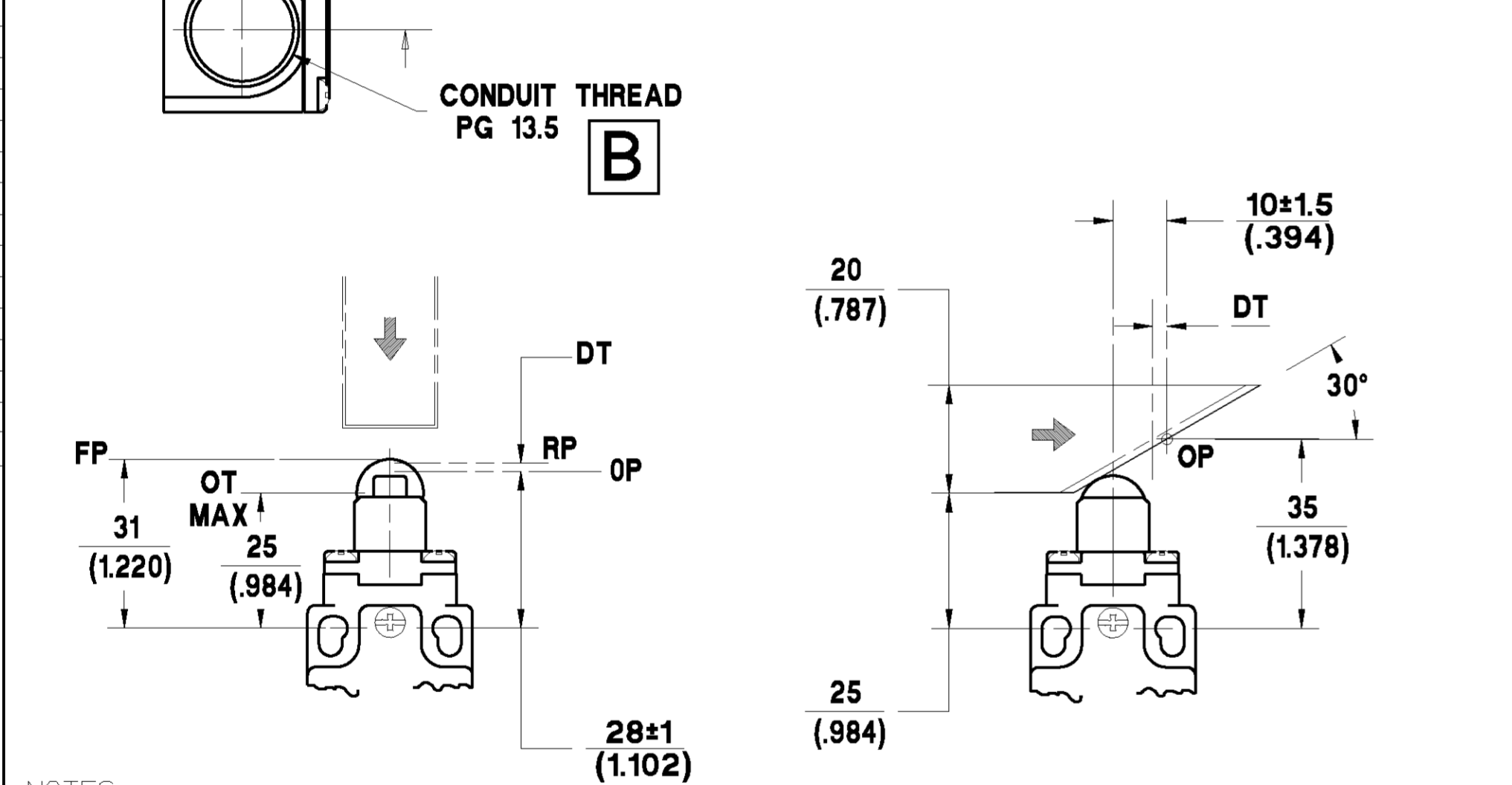
CHART NO.

**MTG-GL-174**



NO CHANGES CAN BE MADE TO THIS DRAWING WITHOUT JOINT NEWHOUSE/FREEPORT APPROVAL

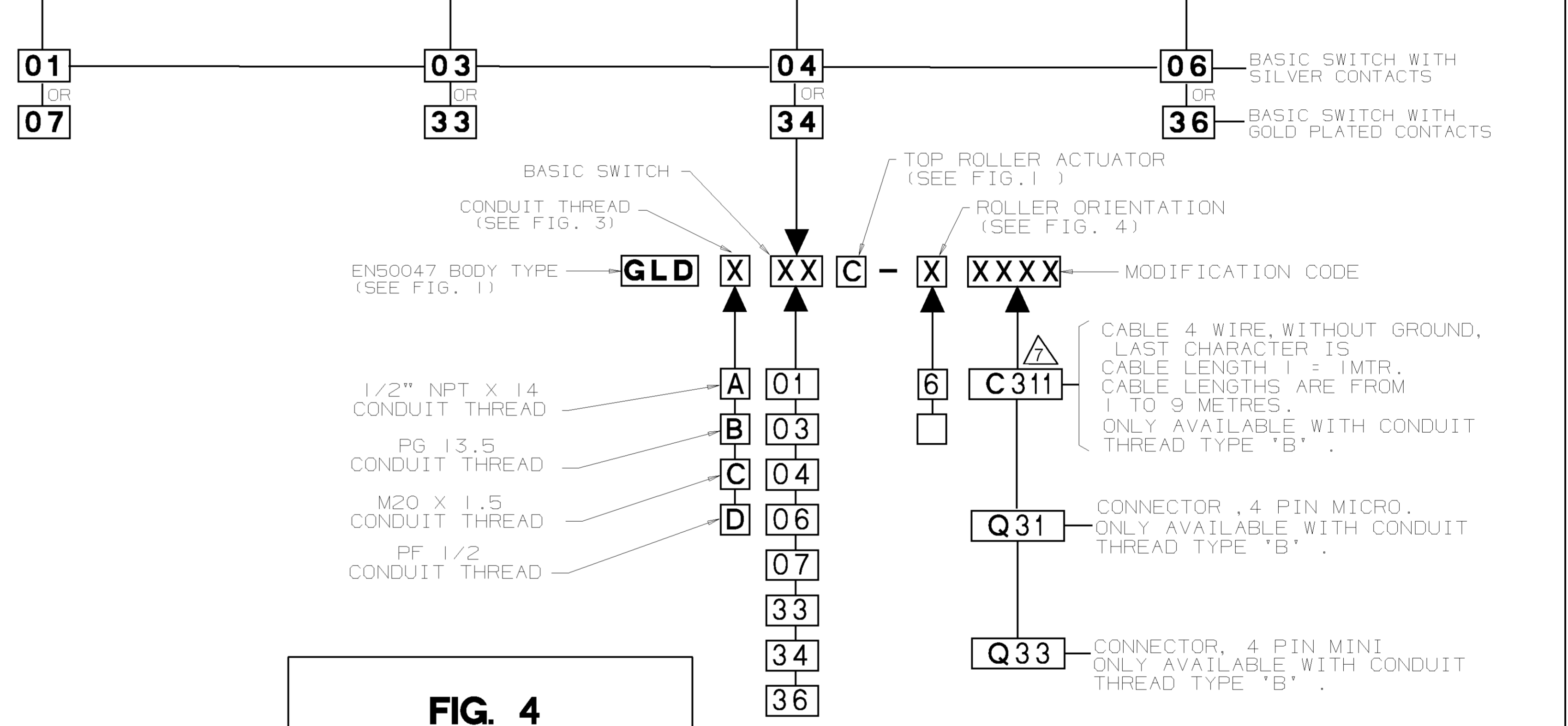
CONDUIT THREAD PG 13.5 **B**



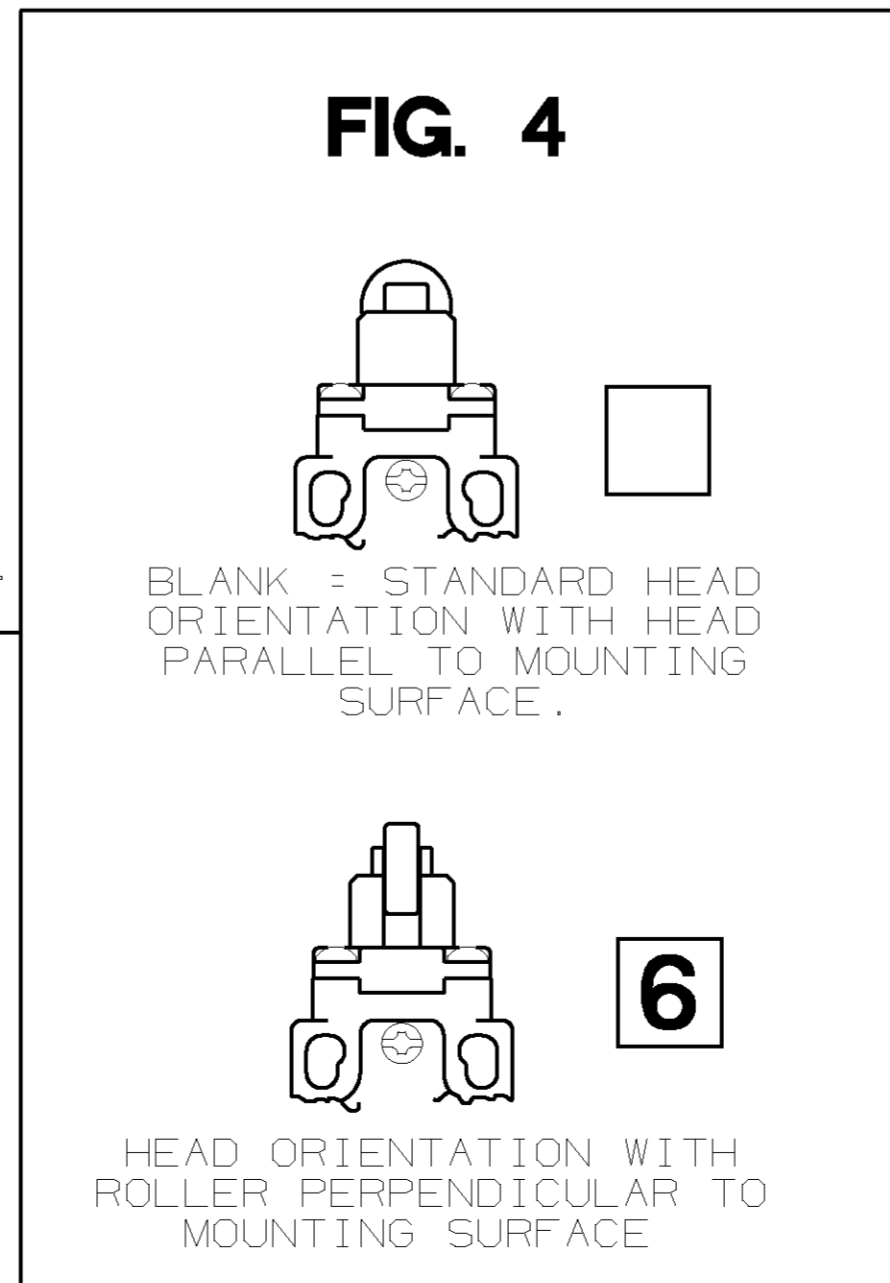
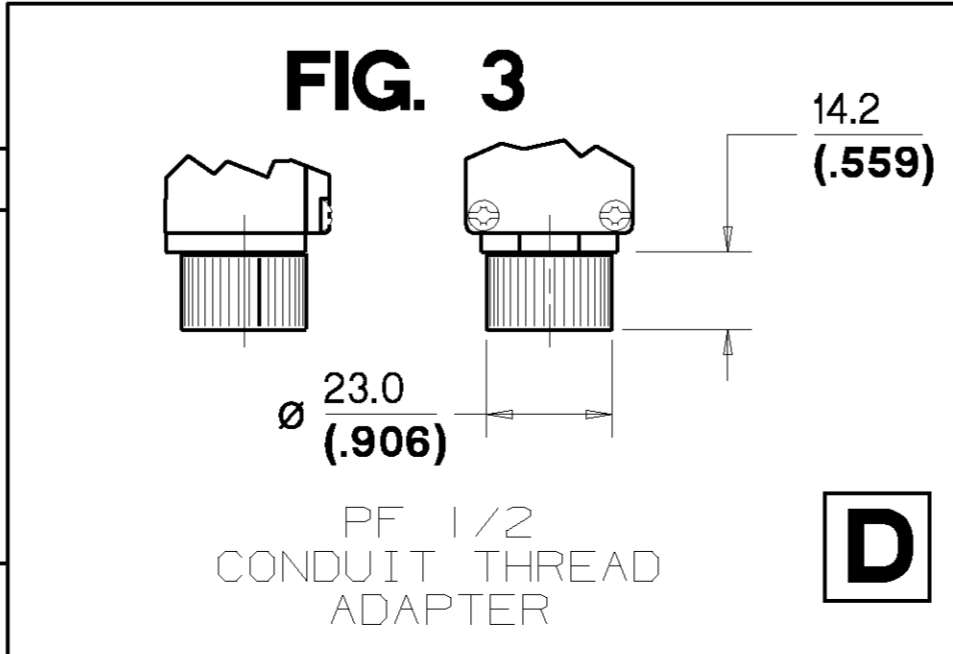
NOTES:-

- MICRO SWITCH BLUE GLASS FILLED POLYESTER HOUSING & COVER. BLACK GLASS FILLED POLYAMIDE HEAD.
- ENCLOSURE DOUBLE INSULATED TO IEC 539 CLASS II.
- MINIMUM OPERATING VELOCITY (V<sub>min</sub>) = 1.0 MM/S (THESE LIMITS APPLY TO CAM OPERATION AS SHOWN IN THE ABOVE DIAGRAMS ONLY)
- MAXIMUM OPERATING VELOCITY (V<sub>max</sub>) = 100 MM/S
- MAXIMUM OPERATING FREQUENCY (F<sub>max</sub>) = 250 OPS/MIN
- FREE POSITION (FP), OPERATING POINT (OP), OVERTRAVEL (OT) AND PRETRAVEL (PT) AL TO EN50047.
- MAXIMUM TIGHTENING TORQUE FOR FIXING SCREW = 0.5Nm (4.4in.LB)
- 3.50(.138) FOR PG13.5, M20x1.5 AND PF 1/2 THREADS, 7.20(.283) FOR 1/2-14 NPT THREADS.
- CABLED PRODUCTS TEMP RANGE -25°C TO 85°C -3°F TO 185°F

<p>SNAP-ACTION CONTACTS</p>	<p>SLOW-ACTION CONTACTS (BREAK BEFORE MAKE)</p>	<p>SLOW-ACTION CONTACTS (MAKE BEFORE BREAK)</p>	<p>SLOW-ACTION CONTACTS (2 NORMALLY CLOSED)</p>	<p>CONTACT BLOCK DIAGRAM TERMINAL DESIGNATION TO EN 50013</p>
				<p>NOMINAL TRAVELS AND RELATED TERMINALS</p> <p>* POSITIVE OPENING TO IEC 947-5-1-3</p>
<p>16 (3.8)</p> <p>23 (5.2)</p>	<p>14 (3.2)</p> <p>24 (5.4)</p>	<p>16 (3.8)</p> <p>27 (6.1)</p>	<p>13 (2.9)</p> <p>23 (5.2)</p>	<p>NORMAL OPERATING FORCE MAX <b>N (lbf)</b></p> <p>MAXIMUM DISCONNECT FORCE <b>N (lbf)</b></p>



NOTE:- ANY STANDARD LISTING WITH SUFFIX 'RS' OR 'FE' IS PERMITTED.



IEC 947-5-1 ELECTRICAL RATING		ENVIRONMENTAL		APPROVALS
SILVER CONTACTS		GOLD PLATED CONTACTS		UL
AC	AC (FOR 2NC)	DC		
AG00 AC15	A500 AC15	O500 DC13		IEC 947-5-1
U <sub>e</sub>	U <sub>e</sub>	U <sub>e</sub>		
I <sub>e</sub>	I <sub>e</sub>	I <sub>e</sub>		EN50047
VOLTS AMPS	VOLTS AMPS	VOLTS AMPS		
120	120	120		
240	240	250		
380	380	0.27		
480	480			
500	500			
600				

ENVIRONMENTAL: IP66 NEMA 1, 12, 13

TEMP RANGE: -40°C TO 85°C (-40°F TO 185°F)

STORAGE: -40°C TO 85°C (-40°F TO 185°F)

SHOCK: 50G PER IEC 68-2-27

VIBRATION: 10G PER IEC 68-2-6

APPROVALS: UL, IEC 947-5-1, EN50047

SCALE: 1:1

DIMENSIONS ARE IN MM/INCHES.

THIRD ANGLE PROJECTION

NOTE FOR CONNECTION DIAGRAMS AND ADDITIONAL ELECTRICAL, ENVIRONMENTAL & DIMENSIONAL INFORMATION SEE DRAWING GL-49212