

FEATURES AND SPECIFICATIONS

Features and Benefits

- Sizes 2 to 6 circuits
- Wire-to-wire or wire-to-board connector system
- Accommodates up to .062, .093 and .125 board thicknesses; for other board thicknesses contact your Molex representative
- Surface Mount Compatible (SCMC)
- Available in solder tail lengths of 3.81mm (.150") and 5.33mm (.210")
- Optional board lock features offered in .062, .093 and .125 lengths

Reference Information

Product Specification: PS-44441-9999

Packaging: Bag and tray

UL File No.: E29179 and UL1950

CSA File No.: LR19980

TUV License No.: Applied for

Mates With: 44441 housing

Designed In: Inches

Electrical

Voltage: 1000V

Current: 18.0A

Contact Resistance: 10mΩ max.

Dielectric Withstanding Voltage: 4000V

Insulation Resistance: 1000 MΩ min.

Mechanical

Insertion Force to PCB: 5 lb max.

Mating Force: 3 lb max.

Unmating Force: 1 lb min.

Normal Force: 3 lb nominal

Durability: 25 cycles

Physical

Housing: Black glass-filled nylon, UL 94V-0

Contact: Brass

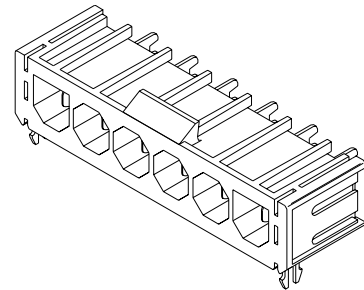
Plating: Tin (contact factory for Gold)

Temperature: -40 to +130°C

molex® 7.50mm (.295") Pitch
Sabre™
Wire-to-Board
Header

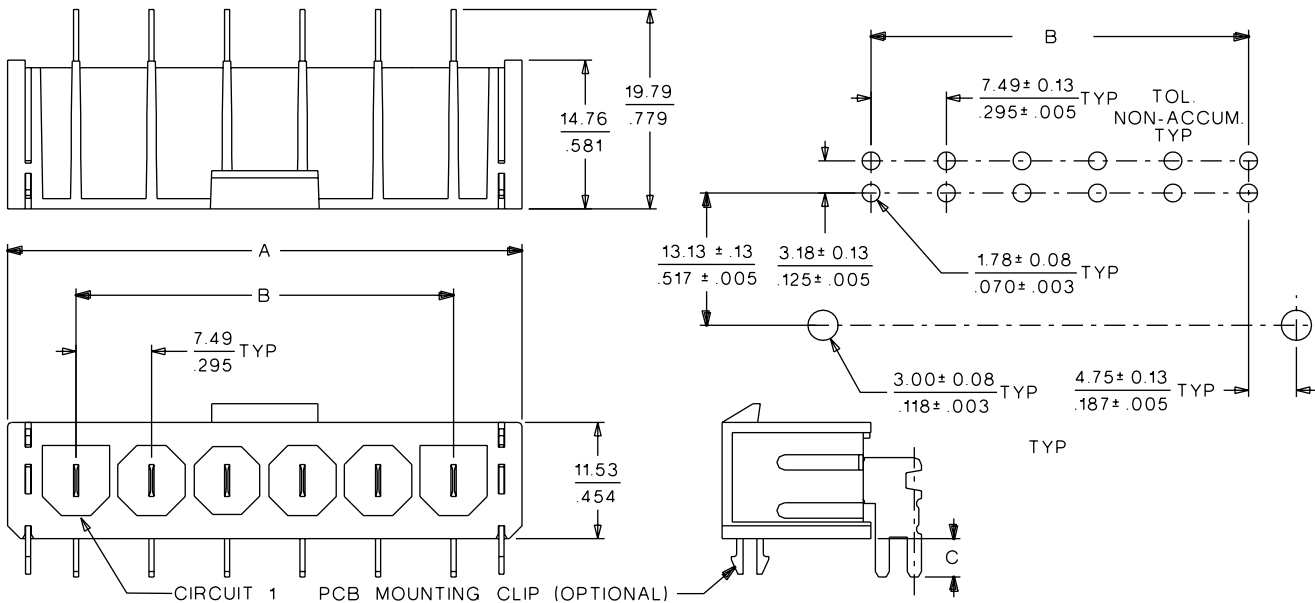
43160

Right Angle, Single Row, SMC
With and without Board Lock



Power Connectors

K



ORDERING INFORMATION AND DIMENSIONS

Circuits	Order No.	Without Board Lock		
		Dimension		
		A	B	C
2	43160-1102	21.08 (.830)	7.49 (.295)	3.81 (.150)
2	43160-1302	21.08 (.830)	7.49 (.295)	5.33 (.210)
3	43160-1103	28.58 (1.125)	14.99 (.590)	3.81 (.150)
3	43160-1303	28.58 (1.125)	14.99 (.590)	5.33 (.210)
4	43160-1104	36.07 (1.420)	22.48 (.885)	3.81 (.150)
4	43160-1304	36.07 (1.420)	22.48 (.885)	5.33 (.210)
5	43160-1105	43.56 (1.715)	29.97 (1.180)	3.81 (.150)
5	43160-1305	43.56 (1.715)	29.97 (1.180)	5.33 (.210)
6	43160-1106	51.05 (2.010)	37.47 (1.475)	3.81 (.150)
6	43160-1306	51.05 (2.010)	37.47 (1.475)	5.33 (.210)

Circuits	Order No.	PCB Thickness	With Board Lock		
			Dimension		
			A	B	C
2	43160-3102	.062	21.08 (.830)	7.49 (.295)	3.81 (.150)
2	43160-5302	.093	21.08 (.830)	7.49 (.295)	5.33 (.210)
2	43160-7302	.125	21.08 (.830)	7.49 (.295)	5.33 (.210)
3	43160-3103	.062	28.58 (1.125)	14.99 (.590)	3.81 (.150)
3	43160-5303	.093	28.58 (1.125)	14.99 (.590)	5.33 (.210)
3	43160-7303	.125	28.58 (1.125)	14.99 (.590)	5.33 (.210)
4	43160-3104	.062	36.07 (1.420)	22.48 (.885)	3.81 (.150)
4	43160-5304	.093	36.07 (1.420)	22.48 (.885)	5.33 (.210)
4	43160-7304	.125	36.07 (1.420)	22.48 (.885)	5.33 (.210)
5	43160-3105	.062	43.56 (1.715)	29.97 (1.180)	3.81 (.150)
5	43160-5305	.093	43.56 (1.715)	29.97 (1.180)	5.33 (.210)
5	43160-7305	.125	43.56 (1.715)	29.97 (1.180)	5.33 (.210)
6	43160-3106	.062	51.05 (2.010)	37.47 (1.475)	3.81 (.150)
6	43160-5306	.093	51.05 (2.010)	37.47 (1.475)	5.33 (.210)
6	43160-7306	.125	51.05 (2.010)	37.47 (1.475)	5.33 (.210)