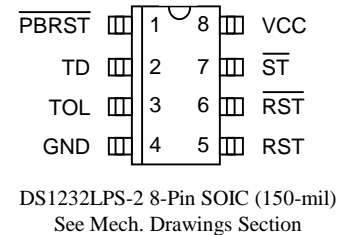
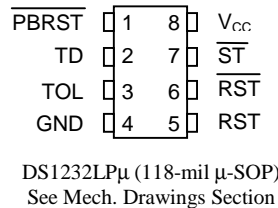
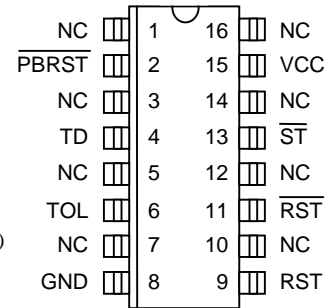
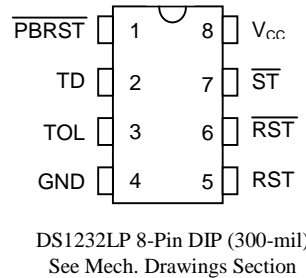


### FEATURES

- Super-low power version of DS1232
- 50  $\mu$ A quiescent current
- Halts and restarts an out-of-control microprocessor
- Automatically restarts microprocessor after power failure
- Monitors pushbutton for external override
- Accurate 5% or 10% microprocessor power supply monitoring
- 8-pin DIP, 8-pin SOIC or space saving  $\mu$ -SOP package available
- Optional 16-pin SOIC package available
- Industrial temperature -40°C to +85°C available, designated N

### PIN ASSIGNMENT



### PIN DESCRIPTION

- |                           |                                         |
|---------------------------|-----------------------------------------|
| $\overline{\text{PBRST}}$ | - Pushbutton Reset Input                |
| TD                        | - Time Delay Set                        |
| TOL                       | - Selects 5% or 10% $V_{CC}$ Detect     |
| GND                       | - Ground                                |
| RST                       | - Reset Output (Active High)            |
| $\overline{\text{RST}}$   | - Reset Output (Active Low, open drain) |
| $\overline{\text{ST}}$    | - Strobe Input                          |
| $V_{CC}$                  | - +5 Volt Power                         |

### DESCRIPTION

The DS1232LP/LPS Low Power MicroMonitor Chip monitors three vital conditions for a microprocessor: power supply, software execution, and external over-ride. First, a precision temperature-compensated reference and comparator circuit monitors the status of  $V_{CC}$ . When an out-of-tolerance condition occurs, an internal power-fail signal is generated which forces reset to the active state. When  $V_{CC}$  returns to an in-tolerance condition, the reset signals are kept in the active state for a minimum of 250 ms to allow the power supply and processor to stabilize.

The second function the DS1232LP/LPS performs is pushbutton reset control. The DS1232LP/LPS debounces the pushbutton input and guarantees an active reset pulse width of 250 ms minimum. The third function is a watchdog timer. The DS1232LP/LPS has an internal timer that forces the reset signals to the active state if the strobe input is not driven low prior to timeout. The watchdog timer function can be set to operate on timeout settings of approximately 150 ms, 600 ms, and 1.2 seconds.

### **OPERATION - POWER MONITOR**

The DS1232LP/LPS detects out-of-tolerance power supply conditions and warns a processor-based system of impending power failure. When  $V_{CC}$  falls below a preset level as defined by TOL, the  $V_{CC}$  comparator outputs the signals RST and  $\overline{RST}$ . When TOL is connected to ground, the RST and  $\overline{RST}$  signals become active as  $V_{CC}$  falls below 4.75 volts. When TOL is connected to  $V_{CC}$ , the RST and  $\overline{RST}$  signals become active as  $V_{CC}$  falls below 4.5 volts. The RST and  $\overline{RST}$  are excellent control signals for a microprocessor, as processing is stopped at the last possible moments of valid  $V_{CC}$ . On power-up, RST and  $\overline{RST}$  are kept active for a minimum of 250 ms to allow the power supply and processor to stabilize.

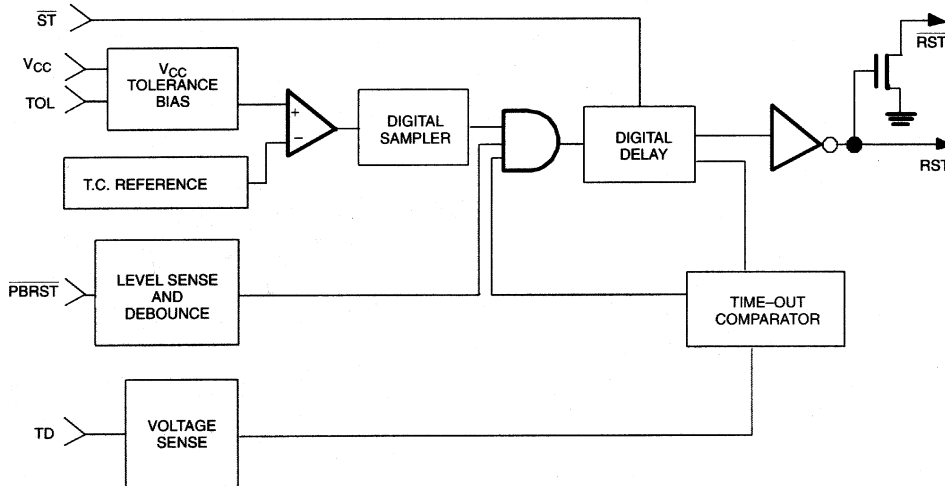
### **OPERATION - PUSHBUTTON RESET**

The DS1232LP/LPS provides an input pin for direct connection to a pushbutton (Figure 1). The pushbutton reset input requires an active low signal. Internally, this input is debounced and timed such that RST and  $\overline{RST}$  signals of at least 250 ms minimum are generated. The 250 ms delay starts as the pushbutton reset input is released from low level.

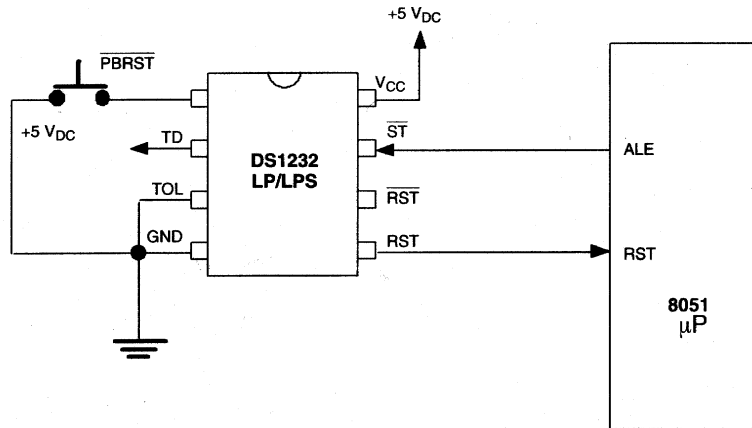
### **OPERATION - WATCHDOG TIMER**

The watchdog timer function forces RST and  $\overline{RST}$  signals to the active state when the  $\overline{ST}$  input is not stimulated for a predetermined time period. The time period is set by the TD input to be typically 150 ms with TD connected to ground, 600 ms with TD left unconnected, and 1.2 seconds with TD connected to  $V_{CC}$ . The watchdog timer starts timing out from the set time period as soon as RST and  $\overline{RST}$  are inactive. If a high-to-low transition occurs on the  $\overline{ST}$  input pin prior to timeout, the watchdog timer is reset and begins to timeout again. If the watchdog timer is allowed to timeout, then the RST and  $\overline{RST}$  signals are driven to the active state for 250 ms minimum. The  $\overline{ST}$  input can be derived from microprocessor address signals, data signals, and/or control signals. When the microprocessor is functioning normally, these signals would, as a matter of routine, cause the watchdog to be reset prior to timeout. To guarantee that the watchdog timer does not timeout, a high-to-low transition must occur at or less than the minimum shown in Table 1. A typical circuit example is shown in Figure 2.

# MICROMONITOR BLOCK DIAGRAM



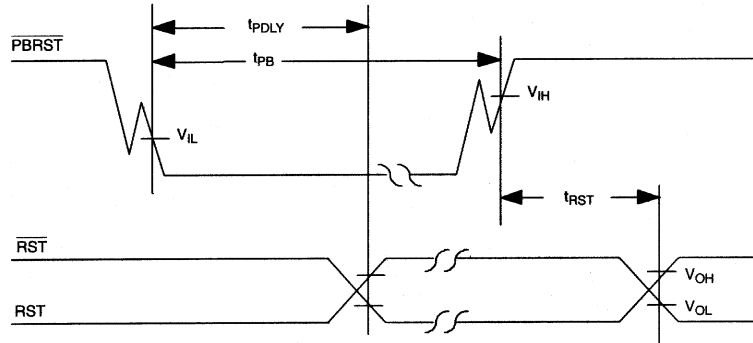
## PUSHBUTTON RESET Figure 1



## WATCHDOG TIMER Figure 2



**TIMING DIAGRAM: PUSHBUTTON RESET Figure 3**

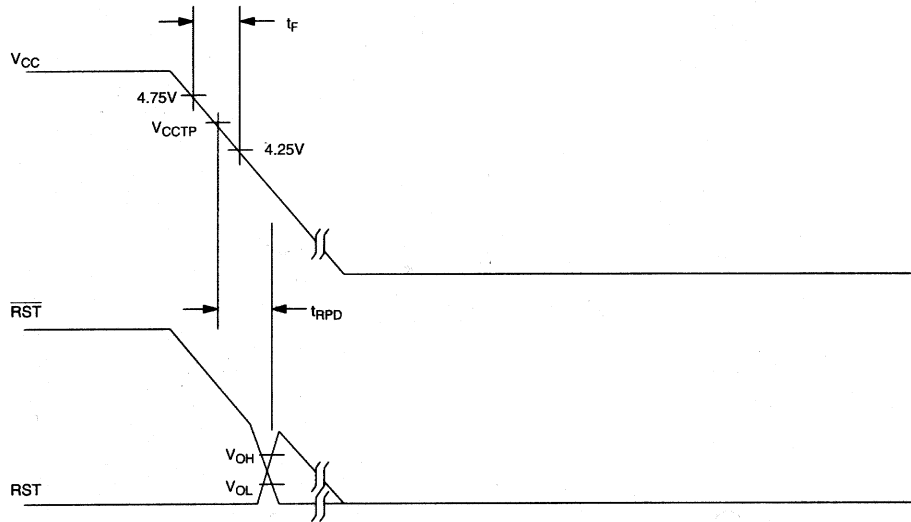
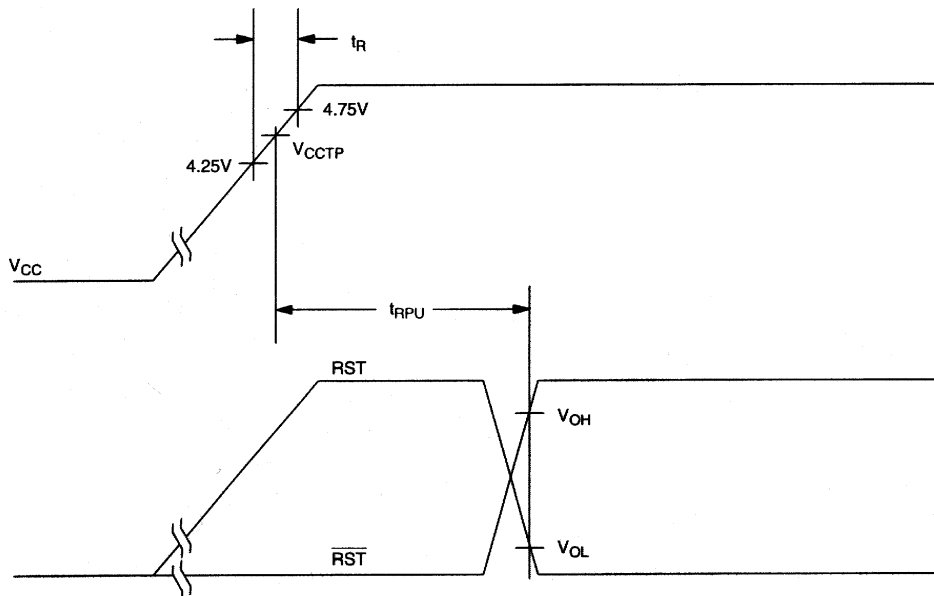


**TIMING DIAGRAM: STROBE INPUT Figure 4**



**WATCHDOG TIME-OUTS Table 1**

TD	TIME-OUT		
	MIN	TYP	MAX
GND	62.5 ms	150 ms	250 ms
Float	250 ms	600 ms	1000 ms
$V_{CC}$	500 ms	1200 ms	2000 ms

**TIMING DIAGRAM: POWER-DOWN Figure 5****TIMING DIAGRAM: POWER-UP Figure 6**

**ABSOLUTE MAXIMUM RATINGS\***

Voltage on V <sub>CC</sub> Pin Relative to Ground	-0.5V to +7.0V
Voltage on I/O Relative to Ground	-0.5V to V <sub>CC</sub> + 0.5V
Operating Temperature	0°C to 70°C
Operating Temperature (Industrial Version)	-40°C to +85°C
Storage Temperature	-55°C to +125°C
Soldering Temperature	260°C for 10 seconds

\* This is a stress rating only and functional operation of the device at these or any other conditions above those indicated in the operation sections of this specification is not implied. Exposure to absolute maximum rating conditions for extended periods of time may affect reliability.

**RECOMMENDED DC OPERATING CONDITIONS** (0°C to 70°C)

PARAMETER	SYMBOL	MIN	TYP	MAX	UNITS	NOTES
Supply Voltage	V <sub>CC</sub>	4.5	5.0	5.5	V	1
$\overline{ST}$ and $\overline{PBRST}$ Input High Level	V <sub>IH</sub>	2.0		V <sub>CC</sub> +0.3	V	1
$\overline{ST}$ and $\overline{PBRST}$ Input Low Level	V <sub>IL</sub>	-0.3		+0.8	V	1

**DC ELECTRICAL CHARACTERISTICS** (0°C to 70°C; V<sub>CC</sub>=4.5 to 5.5V)

PARAMETER	SYMBOL	MIN	TYP	MAX	UNITS	NOTES
Input Leakage	I <sub>IL</sub>	-1.0		+1.0	μA	3
Output Current @ 2.4V	I <sub>OH</sub>	-8	-10		mA	5
Output Current @ 0.4V	I <sub>OL</sub>	10			mA	
Low Level @ RST	V <sub>OL</sub>			0.4	V	1
Output Voltage @ -500 μA	V <sub>OH</sub>	V <sub>CC</sub> -0.5V	V <sub>CC</sub> -0.1V		V	1, 7
Output Current (CMOS)	I <sub>CC1</sub>			50	μA	2
Operating Current (TTL)	I <sub>CC2</sub>		200	500	μA	8
V <sub>CC</sub> Trip Point (TOL=GND)	V <sub>CCTP</sub>	4.50	4.62	4.74	V	1
V <sub>CC</sub> Trip Point (TOL=V <sub>CC</sub> )	V <sub>CCTP</sub>	4.25	4.37	4.49	V	1

**CAPACITANCE** (t<sub>A</sub>=25°C)

PARAMETER	SYMBOL	MIN	TYP	MAX	UNITS	NOTES
Input Capacitance	C <sub>IN</sub>			5	pF	
Output Capacitance	C <sub>OUT</sub>			7	pF	

**AC ELECTRICAL CHARACTERISTICS**(0°C to 70°C;  $V_{CC}=5V \pm 10\%$ )

PARAMETER	SYMBOL	MIN	TYP	MAX	UNITS	NOTES
$\overline{PBRST} = V_{IL}$	$t_{PB}$	20			ms	
RESET Active Time	$t_{RST}$	250	610	1000	ms	
$\overline{ST}$ Pulse Width	$t_{ST}$	20			ns	6, 9
$V_{CC}$ Fail Detect to RST and $\overline{RST}$	$t_{RPD}$		50	175	$\mu$ s	
$V_{CC}$ Slew Rate 4.75V to 4.25V	$t_F$	300			$\mu$ s	
$V_{CC}$ Detect to RST and $\overline{RST}$ Inactive	$t_{RPU}$	250	610	1000	ms	4
$V_{CC}$ Slew Rate 4.25V to 4.75V	$t_R$	0			ns	
$\overline{PBRST}$ Stable Low to $\overline{RST}$ and RST	$t_{PDLY}$			20	ms	

**NOTES:**

- All voltages referenced to ground.
- Measured with outputs open and  $\overline{ST}$  and  $\overline{PBRST}$  within 0.5V of supply rails.
- $\overline{PBRST}$  is internally pulled up to  $V_{CC}$  with an internal impedance of 40k typical.
- $t_R = 5 \mu$ s.
- $\overline{RST}$  is an open-drain output.
- Must not exceed  $t_{TD}$  minimum. See Table 1.
- RST remains within 0.5V of  $V_{CC}$  on power-down until  $V_{CC}$  drops below 2.0V.  $\overline{RST}$  remains within 0.5V of GND on power-down until  $V_{CC}$  drops below 2.0V.
- Measured with outputs open and  $\overline{ST}$  and  $\overline{PBRST}$  at TTL levels.
- Watchdog can not be disabled. It must be strobed to avoid resets.

**MARKING INFORMATION:**

8-pin DIP - "DS1232L"

16-pin SOIC - "DS1232L"

8-pin SOIC - "DS1232L"

8-pin  $\mu$ -SOP - "1232"