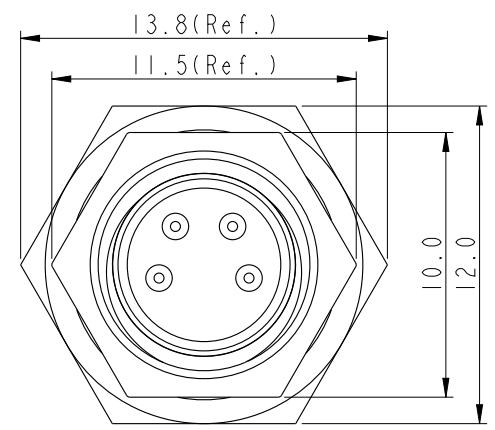
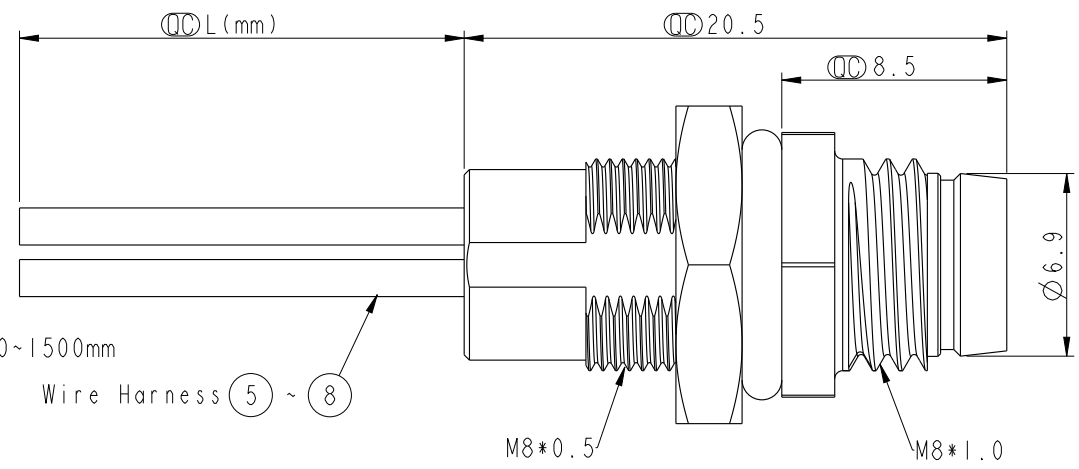


THIS DOCUMENT IS SUBJECT TO CHANGE WITHOUT NOTICE. IT IS CONFIDENTIAL AND A PROPERTY OF Amphenol LTW. DISCLOSURE TO THIRD PARTY HAS TO BE AUTHORIZED BY Amphenol LTW.

REV.	ECN NO.	DATE	SIGN	DESCRIPTION
B	LE31410397~99	2014-01-09	Tony_leng	Change Ball No. & Wire Length

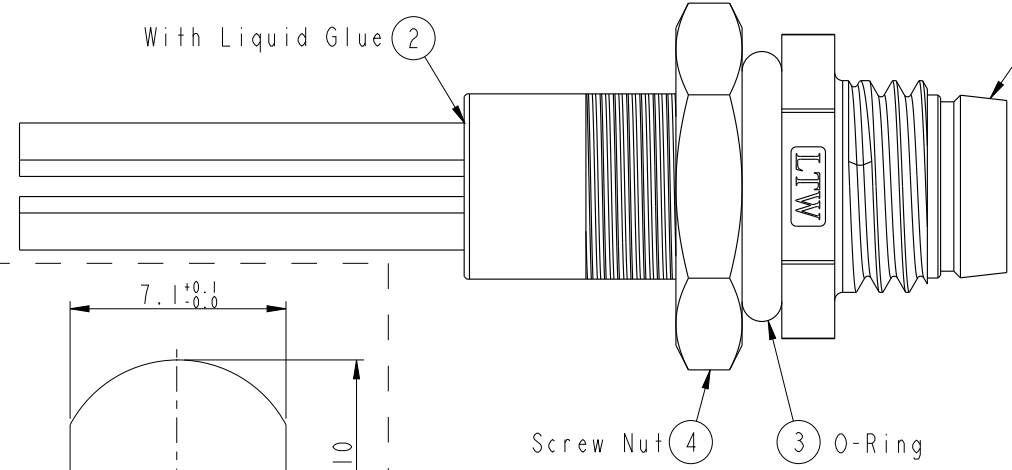
8-04PMMS-SH7AXX $\triangle B$

XX: 150~1500mm
 15: 150mm
 30: 300mm
 50: 500mm
 A0: 1000mm
 A5: 1500mm
 Wire Length(L): 150~1500mm

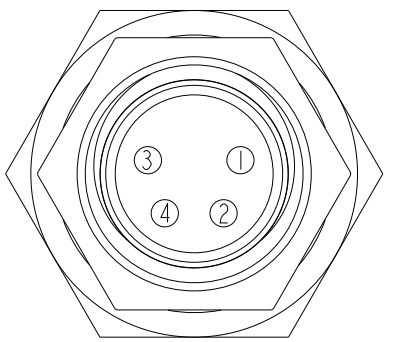


ALTW
 CONFIDENTIAL
 2014-01-09
 R&D DEPT.

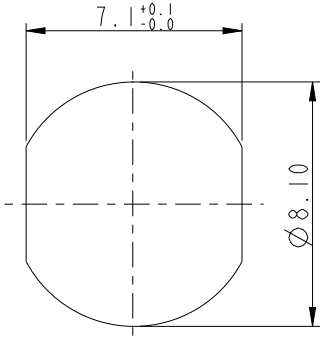
With Liquid Glue (2) 8-04PMMS-SH7A00



ALTW
 DCC. DEPT.
 CONFIDENTIAL
 2014.01.23
 ISSUED



Pin Assignment
Front View



Recommended
Panel Cut-Out

4	Black	黑
3	Blue	藍
2	White	白
1	Brown	棕
Conn.	Wire Color	Pin Out

Note:
 * $\text{\textcircled{C}}$ Important Dimension.
 * Waterproof Rate: IP67
 * Housing: Nylon+GF, Black
 * Male Pin: Copper Alloy, Gold Plated
 * Shield: Zinc Alloy, Nickel Plated
 * Nut: Copper Alloy, Nickel Plated
 * O-Ring: EPDM, Black
 * Wire Harness: UL1007, 24AWG
 * For Panel Thickness Max 3.5mm
 * Nut Torque: 4-6 kgf.cm
 * $\triangle B$ Wire harness Tolerance: 150~300±15mm
 301~1000±20mm
 Over1000 ±40mm

UNIT:mm		TITLE		ITEM NO	DRAWN BY	DATE
		M12 Panel with wire harness				
TOLERANCE		SCALE	SIZE	DWG NO	CHECKED BY	DATE
.X ±0.25		1:1	A4	8-04PMMS-SH7AXX	Jimmy	2014-01-09
.XX ±0.1		REV.	WC-REV.	CUSTOMER	APPROVED BY	DATE
.XXX ±0.05		B	B.2	ALTW	Jerry	2014-01-09
ANGLES ±1°		$\text{\textcircled{C}}$: Inspection item		8 FMM10702-01-02A1		

Amphenol LTW
 安費諾亮泰企業股份有限公司