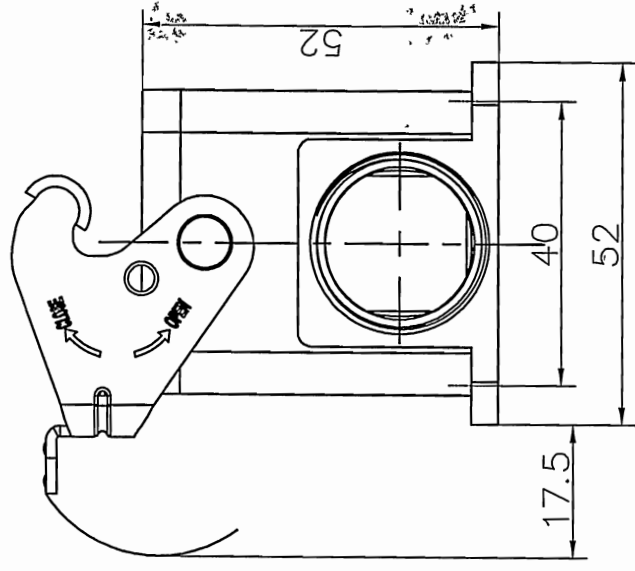
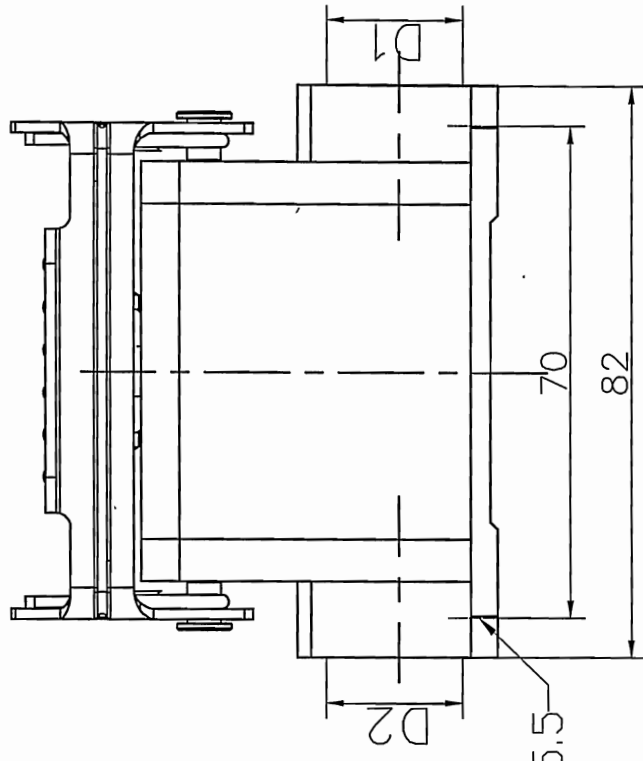
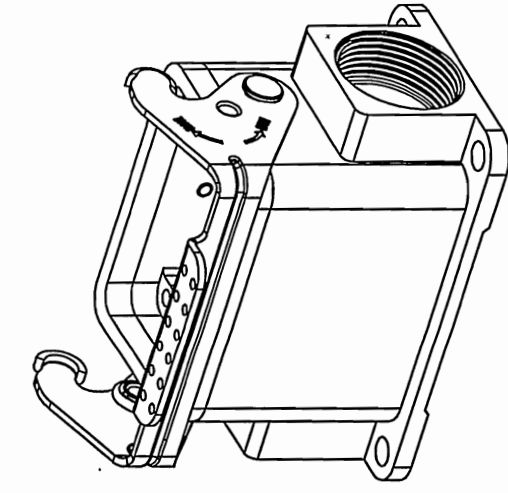


TYPE	Thread		Selection
	D1	D2	
D6B-SF-1L-M20	M20	—	
D6B-SF-1L-2M20	M20	M20	
D6B-SF-1L-M25	M25	—	
D6B-SF-1L-2M25	M25	M25	
D6B-SF-1L-PG16	PG16	—	
D6B-SF-1L-2PG16	PG16	PG16	

REVISION RECORD				
REV	ECN	DESCRIPTION	DRFT	DATE



**Housings Feature**

01. Material: aluminium die-cast
02. Surface: Powder-coated
03. Color: grey (RAL 7037)
04. Material: Metal (Lever)
05. Sealing: NBR
06. Limiting temperatures: -40°C ~ +125°C
07. Flammability acc to UL94: V0
08. Degree of protection acc. to IP65  
EN60529 for coupled connector : IP65
09. Rohs compliance

PART NO.:	/	DEGSON®	宁波高松电子有限公司
APPD:	HMS 2017-7-3	NAME:	NINGBO DEGSON ELECTRICAL CO., LTD
CHKD:	CHK 2017-7-1	TITLE:	D6B-SF-1L-M/PG
DRFT:	Mr.yang 2017/06/28	REV	DO-1
THIRD ANGLE PROJECTION		DRAWING NO.:	SHEET
		DO NOT SCALE	1/1
		SCALE	1:1