

LOC
A1

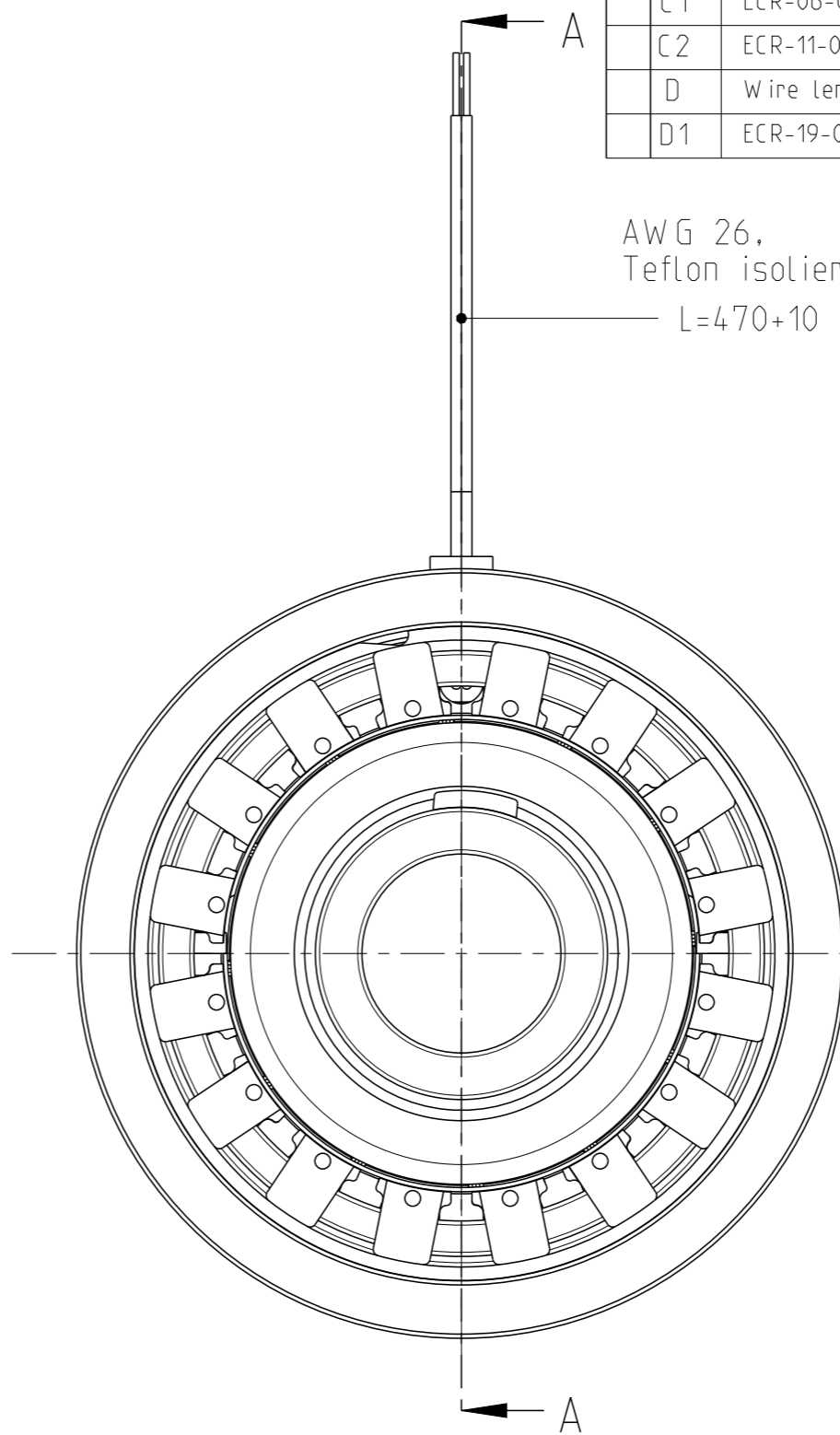
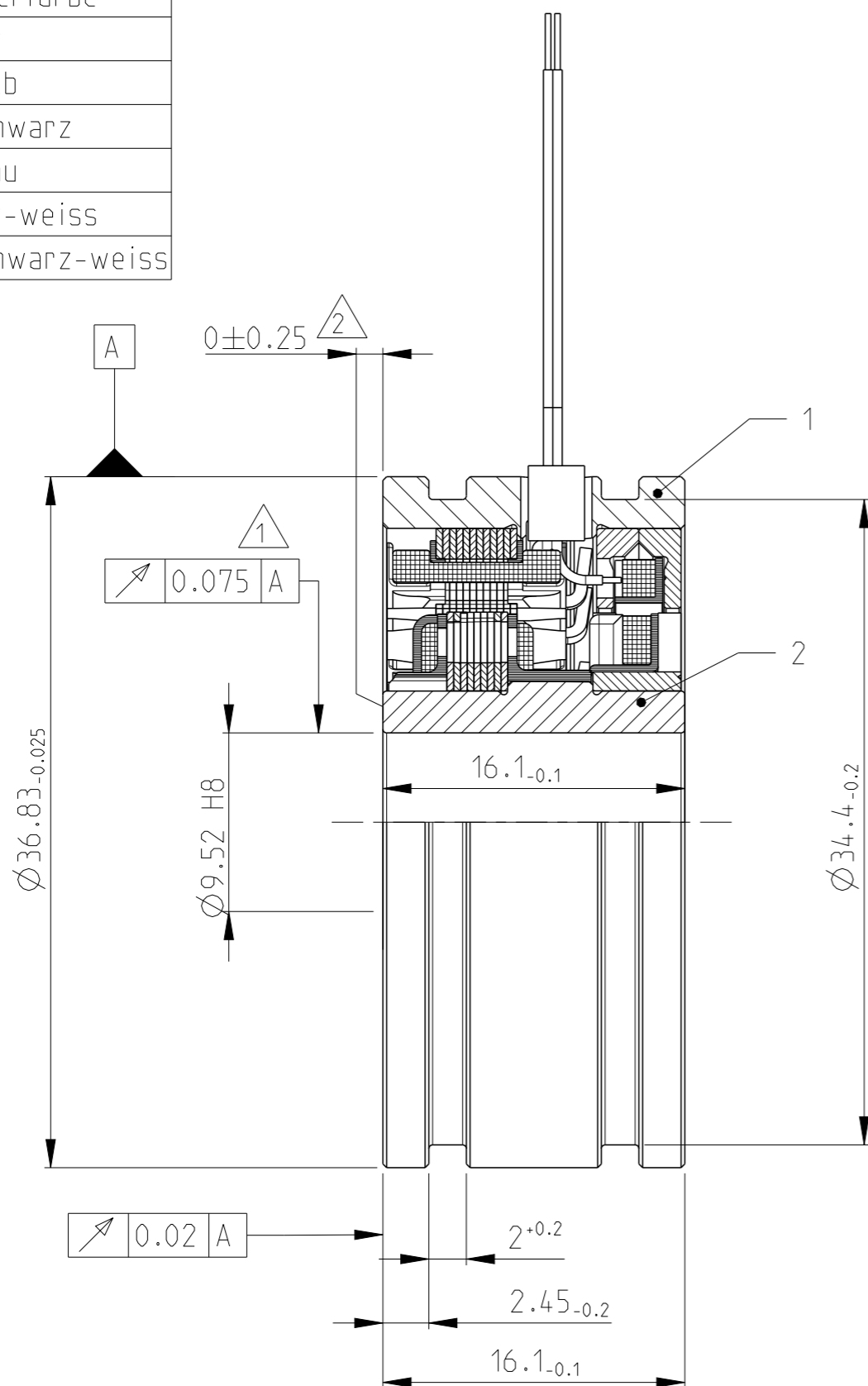
DIST
-

REVISIONS

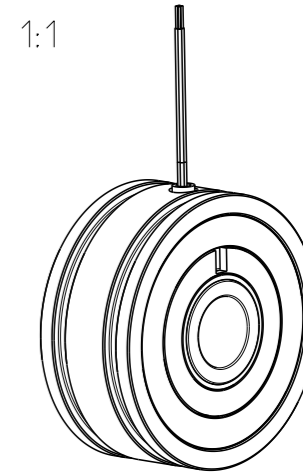
P	LTR	DESCRIPTION	DATE	DWN	APVD
C1		ECR-06-011981	18MAY2006	Kr	An
C2		ECR-11-002555	07FEB2011	Kr	An
D		Wire length correction - Restriction removed	19DEC2014	RK	PL
D1		ECR-19-011771	25JUL2019	GK	OD

Signal	Aderfarbe
S1	rot
S2	gelb
S3	schwarz
S4	blau
R1	rot-weiss
R2	schwarz-weiss

A-A



9.52 H8	+0.022 0
---------	-------------



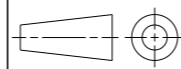
1 Gesamtschlag im eingebauten Zustand
 2 Axialversatz

SIMILAR TO V23401-S1001-B110

DESCRIPTION	ITEM NO
Rotor kpl. / Bauform B1 (12N)	2
Gehäuse kpl. / Bauform S1	1
PARTS LIST	

THIS DRAWING IS A CONTROLLED DOCUMENT.

DIMENSIONS: mm



TOLERANCES UNLESS OTHERWISE SPECIFIED:

0 PLC	±
1 PLC	±
2 PLC	±
3 PLC	±
4 PLC	±
ANGLES	±1°
FINISH	-

MATERIAL -

DWN Kraus 24NOV2005

CHK Andrae 07FEB2011

APVD Hecker 07FEB2011

PRODUCT SPEC -

APPLICATION SPEC -

WEIGHT -

CUSTOMER DRAWING



TE Connectivity

NAME
 Massbild Hohlwellendrehmelder Gr.15
 Dimensional Drawing Resolver Sz.15
 V23401-S1001-B110

SIZE	CAGE CODE	DRAWING NO	RESTRICTED TO
------	-----------	------------	---------------

A3	00779	©=2-1393047-5	-
----	-------	---------------	---

SCALE 3:1	SHEET 1 OF 1	REV D1
-----------	--------------	--------

Mouser Electronics

Authorized Distributor

Click to View Pricing, Inventory, Delivery & Lifecycle Information:

[TE Connectivity:](#)

[V23401S1001B110](#)