

**Industrial Ethernet
IE-FCM-USB-A**

Weidmüller Interface GmbH & Co. KG
Klingenbergstraße 16
D-32758 Detmold
Germany
Fon: +49 5231 14-0
Fax: +49 5231 14-292083
www.weidmueller.com



Service interface FrontCom[®] Micro with USB in IP65

General ordering data

Type	IE-FCM-USB-A
Order No.	1018840000
Version	FrontCom Micro USB coupling, USB 2.0, Type A
GTIN (EAN)	4032248730094
Qty.	10 pc(s).

**Industrial Ethernet
IE-FCM-USB-A**

Weidmüller Interface GmbH & Co. KG
 Klingenbergstraße 16
 D-32758 Detmold
 Germany
 Fon: +49 5231 14-0
 Fax: +49 5231 14-292083
 www.weidmueller.com

Technische Daten

Dimensions and weights

Wall thickness, max.	3 mm	Wall thickness, min.	1 mm
Net weight	28.1 g		

Temperatures

Operating temperature	-40 °C...70 °C	Storage temperature	
Installation temperature			

Downloads

UL Approval	DUXR.E316369.pdf
-------------	------------------

General Info

Colour	Black	Connection 1	USB A
Connection 2	USB A	Description of article	FrontCom Micro USB coupling, USB 2.0
Housing main material	PA UL 94 V0	Protection degree	IP 65 according to DIN EN 60529
Shielding	360° shield contact	Type of mounting	Cabinet, Distribution box
Wiring	Type A		

Standards

Connector standard	IEC 61076-3-107	Certificate no. (cULus)	E316369
--------------------	-----------------	-------------------------	---------

Classifications

ETIM 3.0	EC000674	eClass 5.1	27-25-05-04
eClass 6.2	27-25-05-04	eClass 7.1	27-25-05-04

Approvals

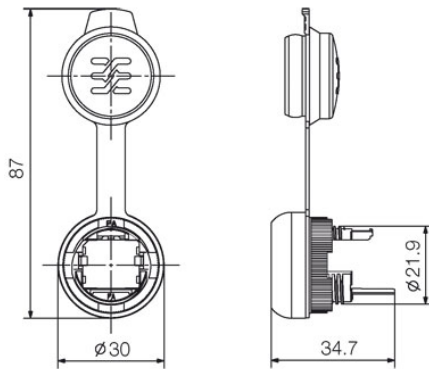
Approvals



ROHS	Conform
------	---------

**Industrial Ethernet
IE-FCM-USB-A**

Weidmüller Interface GmbH & Co. KG
Klingenbergstraße 16
D-32758 Detmold
Germany
Fon: +49 5231 14-0
Fax: +49 5231 14-292083
www.weidmueller.com

Zeichnungen**Dimensioned drawing****Installation cut-out**