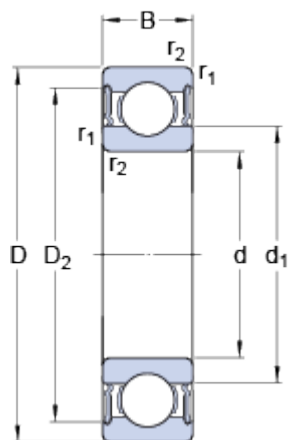


6309-2RS1

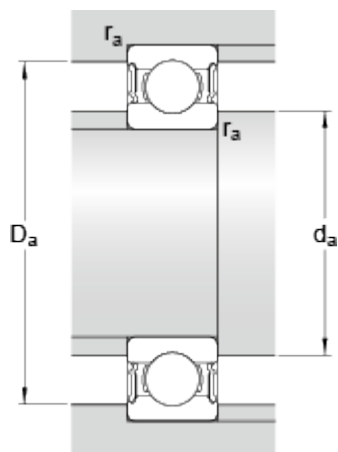
SKF Explorer

Dimensions



d		45	mm
D		100	mm
B		25	mm
d_1	≈	62.18	mm
D_2	≈	86.7	mm
$r_{1,2}$	min.	1.5	mm

Abutment dimensions



d_a	min.	54	mm
d_a	max.	62.1	mm
D_a	max.	91	mm
r_a	max.	1.5	mm

Calculation data

Basic dynamic load rating	C	55.3	kN
Basic static load rating	C_0	31.5	kN
Fatigue load limit	P_u	1.3	kN
Limiting speed		4500	r/min
Calculation factor	k_r	0.03	
Calculation factor	f_0	13	

Mass

Mass bearing		0.859	kg
--------------	--	-------	----