

Customer Information Sheet

DRAWING No.: M7565/66/67/71-XX

SHEET 2 OF 2

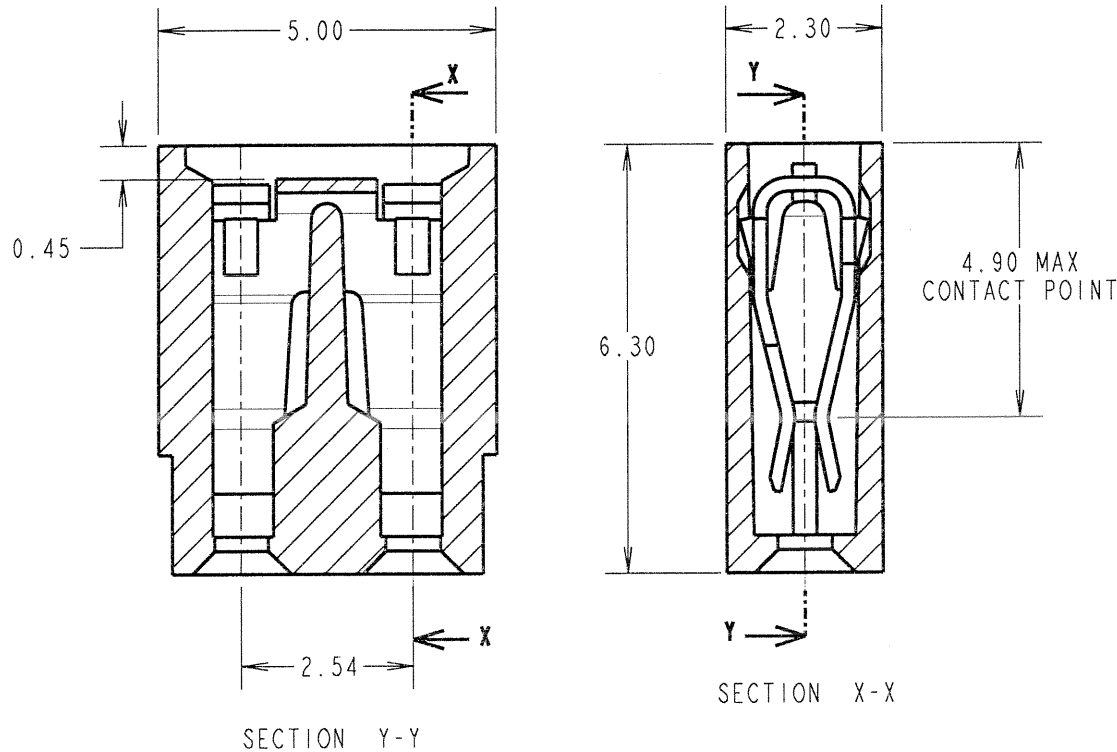
IF IN DOUBT - ASK

(C)

NOT TO SCALE

THIRD ANGLE PROJECTION

ALL DIMENSIONS IN mm



SPECIFICATIONS:

MATERIAL:

MOULDING = GLASS FILLED POLYESTER UL94V-0
(SEE ORDER CODE FOR COLOUR)

CLIP = PHOSPHOR BRONZE

FINISH:

05 = 0.13µ GOLD
46 = 3µ 100% TIN

ELECTRICAL:

CURRENT RATING = 3A MAX
VOLTAGE RATING = 250V AC/DC
VOLTAGE PROOF = 750V AC
CONTACT RESISTANCE = 30mΩ MAX (TIN), 25mΩ MAX (GOLD)
INSULATION RESISTANCE = 1,000MΩ MIN

MECHANICAL:

DURABILITY = 50 OPERATIONS (TIN), 300 OPERATIONS (GOLD)
INSERTION FORCE = 12.5N MAX
WITHDRAWAL FORCE = 1.0N MIN

ENVIRONMENTAL:

TEMPERATURE RANGE = -40°C TO +85°C

PACKING:

BAG

ORDER CODE: **M75XX-XX**

MOULDING COLOUR

65 - LT. GREY	66 - RED
67 - BLACK	71 - BLUE

CONTACT FINISH

05 - GOLD
46 = 100% TIN

JMB	9	12.04.06	9154
NAME	ISS.	DATE	C/NOTE
APPROVED: <i>[Signature]</i>			
CHECKED: <i>[Signature]</i>			
DRAWN: K. SHIER			
CUSTOMER REF.:			
ASSEMBLY DRG:			

NOTES:

- MATING PIN = 0.64mm SQUARE,
- FOR COMPLETE SPECIFICATIONS, SEE COMPONENT SPECIFICATION C003XX (LATEST ISSUE).

HARWIN

THIS DRAWING AND ANY INFORMATION OR DESCRIPTIVE MATTER SET OUT HEREON ARE CONFIDENTIAL AND COPYRIGHT PROPERTY OF THE HARWIN GROUP AND MUST NOT BE DISCLOSED, LOANED, COPIED OR USED FOR MANUFACTURING, TENDERING OR FOR ANY OTHER PURPOSE WITHOUT THEIR WRITTEN PERMISSION.

TOLERANCES

X. = ±1mm
X.X = ±0.25mm
X.XX = ±0.10mm
X.XXX = ±0.01mm

ANGLES = ±5°
UNLESS STATED

MATERIAL: SEE ABOVE

FINISH: SEE ABOVE

S/AREA: mm²

TITLE: JUMPER SOCKET

DRAWING NUMBER:
M7565-XX M7567-XX
M7566-XX M7571-XX

SHT 2 OF 2

HARWIN INC U.S.A. TEL: (812) 542 2540 FAX: (812) 542 2541	HARWIN PLC U.K. TEL: 023 9231 4545 FAX: 023 9231 4590	HARWIN PTE SINGAPORE TEL: 65 6779 4909 FAX: 65 6779 3868
---	---	--