

# Customer Information Sheet

DRAWING No.: M80-532XXXX

SHEET 2 OF 2

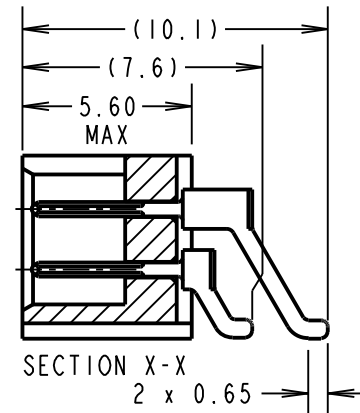
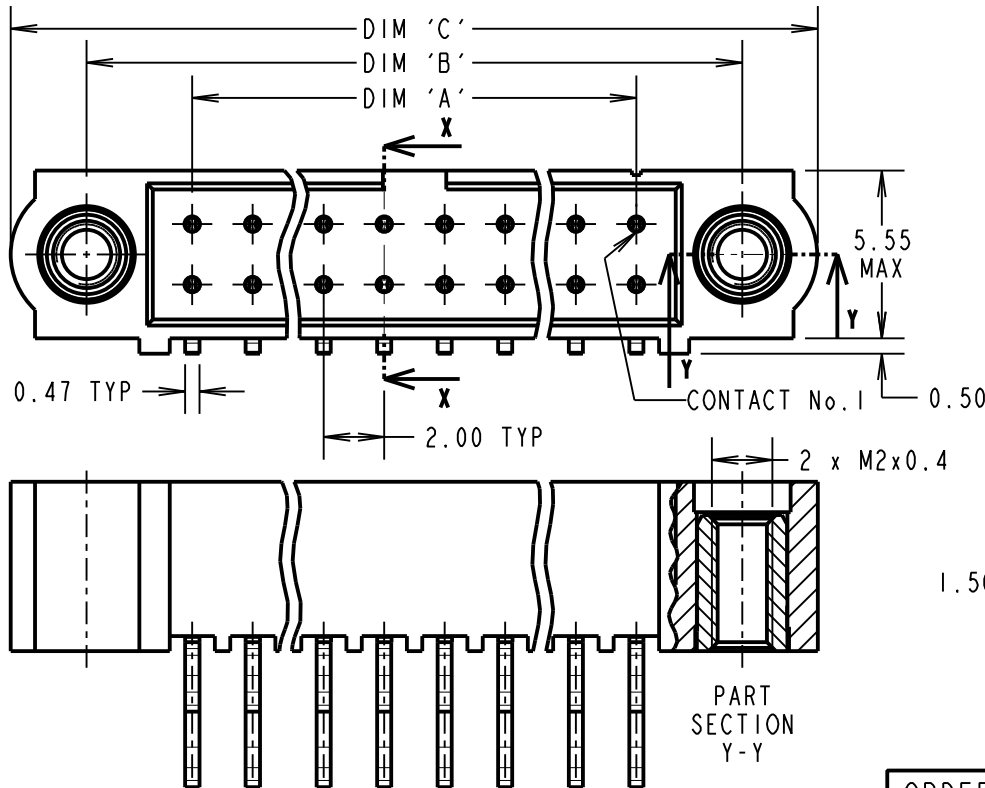
IF IN DOUBT - ASK

©

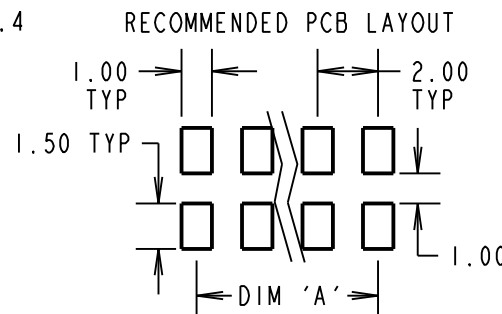
NOT TO SCALE

THIRD ANGLE PROJECTION

ALL DIMENSIONS IN mm



**SPECIFICATIONS:**  
**MATERIAL:**  
 MOULDING = GLASS-FILLED PPS, UL94V-0, BLACK  
 CONTACT = BRASS  
 JACKSCREW = STAINLESS STEEL  
**FINISH:**  
 05 = 0.75µ ALL OVER GOLD  
 22 = 0.75µ GOLD ON CONTACT AREA, 3µm 90/10 TIN/LEAD ON TAILS  
 42 = 0.75µ GOLD ON CONTACT AREA, 3µm 100% TIN ON TAILS, OVER NICKEL  
**ELECTRICAL:**  
 CURRENT RATING AT 25°C = 3.0A MAX  
 CURRENT RATING AT 85°C = 2.2A MAX  
 WORKING VOLTAGE = 800V AC/DC  
 VOLTAGE PROOF = 1200V AC/DC  
 CONTACT RESISTANCE = 25 mΩ MAX  
 INSULATION RESISTANCE = 100 MΩ MIN  
**MECHANICAL:**  
 DURABILITY = 500 OPERATIONS  
**ENVIRONMENTAL:**  
 TEMPERATURE RANGE = -55°C TO +125°C  
**PACKING:**  
 TUBE  
 FOR COMPLETE SPECIFICATION, SEE COMPONENT SPECIFICATION C005XX (LATEST ISSUE)



DIMENSION	CALCULATION
DIM 'A'	TOTAL No. OF CONTACTS - 2
DIM 'B'	TOTAL No. OF CONTACTS + 5
DIM 'C'	TOTAL No. OF CONTACTS + 10

EXAMPLE: CONNECTOR WITH 20 CONTACTS, GOLD ON CONTACT AREA AND 100% TIN ON TAIL, M80-5322042

DIM 'A' = 18.00mm, DIM 'B' = 25.00mm, DIM 'C' = 30.00mm

ORDER CODE: **M80-532XXXX**

TOTAL No. OF CONTACTS 04 TO 50 (EVEN NUMBERS ONLY)

FINISH CODE

- 05 - ALL OVER GOLD
- 22 - GOLD ON CONTACT AREA / TIN/LEAD ON TAIL
- 42 - GOLD ON CONTACT AREA / 100% TIN ON TAIL

MSP	5	09.01.15	12761
NAME	ISS.	DATE	C/NOTE
APPROVED:		M.PERREN	
CHECKED:		M.PLESTED	
DRAWN:		B. M. KENT	
CUSTOMER REF.:			
ASSEMBLY DRG:			



www.harwin.com  
 technical@harwin.com

THIS DRAWING AND ANY INFORMATION OR DESCRIPTIVE MATTER SET OUT HEREON ARE CONFIDENTIAL AND COPYRIGHT PROPERTY OF THE HARWIN GROUP AND MUST NOT BE DISCLOSED, LOANED, COPIED OR USED FOR MANUFACTURING, TENDERING OR FOR ANY OTHER PURPOSE WITHOUT THEIR WRITTEN PERMISSION.

**TOLERANCES**  
 X. = ±1mm  
 X.X = ±0.25mm  
 X.XX = ±0.10mm  
 X.XXX = ±0.01mm  
 ANGLES = ±5°  
 UNLESS STATED

**MATERIAL:**  
 SEE ABOVE  
**FINISH:**  
 SEE ABOVE  
**S/AREA:**  
 mm<sup>2</sup>

**TITLE:** JACKSCREW DATAMATE DIL HORIZONTAL SMT MALE ASSEMBLY  
**DRAWING NUMBER:** M80-532XXXX

# Mouser Electronics

Authorized Distributor

Click to View Pricing, Inventory, Delivery & Lifecycle Information:

[Harwin:](#)

[M80-5320622](#) [M80-5320642](#) [M80-5321042](#) [M80-5321242](#) [M80-5321422](#) [M80-5321442](#) [M80-5321822](#) [M80-5321842](#) [M80-5322042](#) [M80-5322622](#) [M80-5322642](#) [M80-5323422](#) [M80-5323442](#) [M80-5324222](#) [M80-5324242](#) [M80-5325022](#) [M80-5325042](#) [M80-5324005](#) [M80-5321005](#) [M80-5322605](#) [M80-5320422](#) [M80-5320442](#) [M80-5322005](#) [M80-5320842](#)