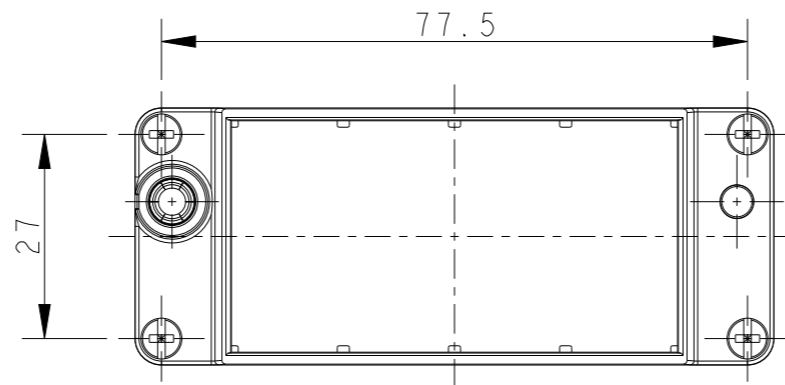
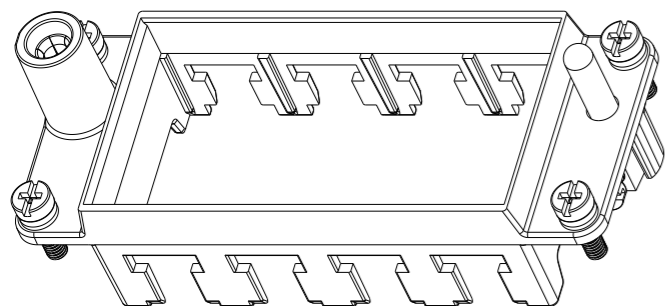


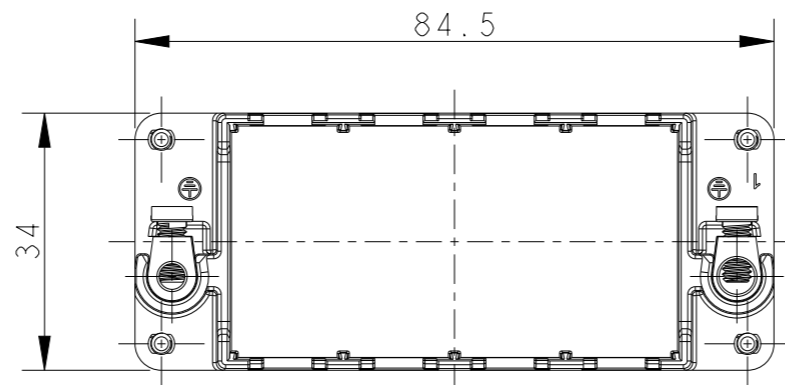
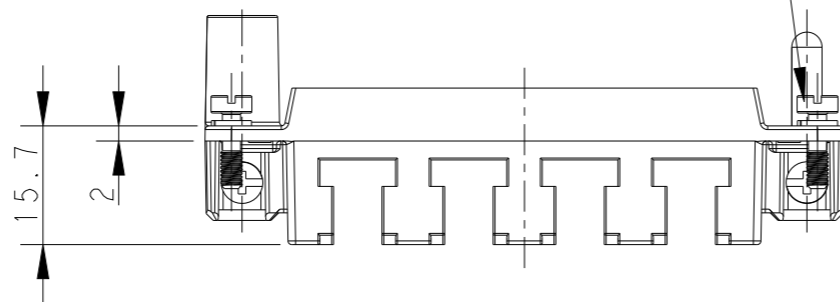
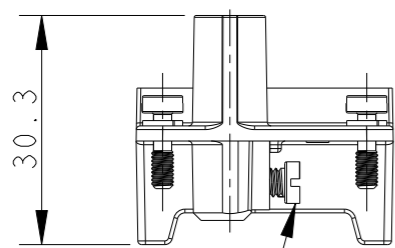
THIS DRAWING IS UNPUBLISHED. RELEASED FOR PUBLICATION 20
 © COPYRIGHT 20 BY - ALL RIGHTS RESERVED.

REVISIONS

P	LTR	DESCRIPTION	DATE	DWN	APVD
A1		ECR-16-000601	14JAN2016	DW	CW
A2		ECR-16-017508	12DEC2016	RL	CW
B		ECR-18-005861	03AUG2018	YC	CW
C		ECR-21-122216	09DEC2021	WQR	CW



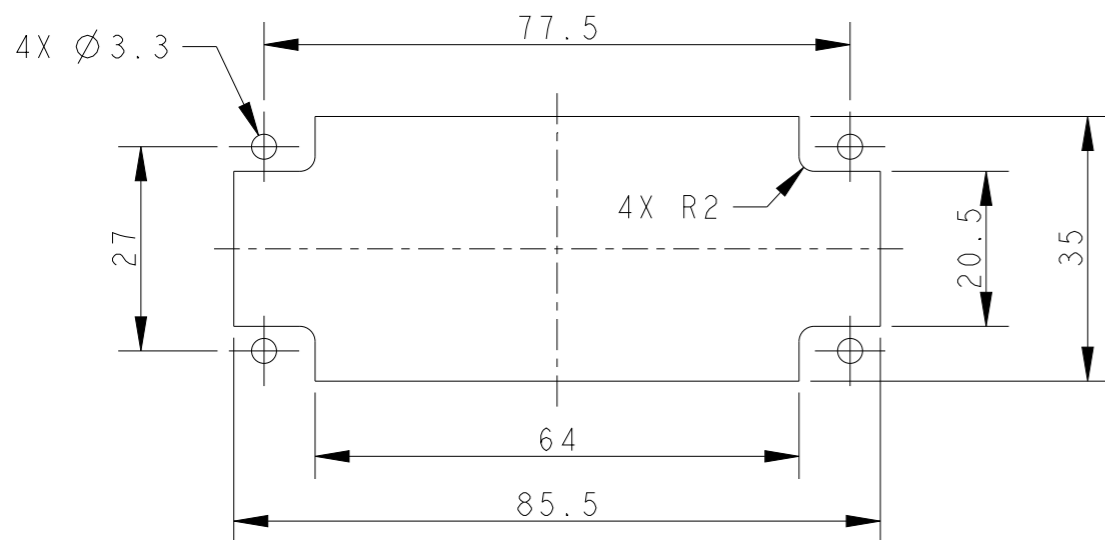
4X M3 SCREW
 RECOMMENDED TIGHTENING TORQUE 0.5Nm
 4X M3 螺丝推荐锁紧力矩为0.5Nm



T2070164001-000 SHOWN ABOVE WITHOUT MARK
 T2070164001-000, 不带标记

2X M4 SCREW, RECOMMENDED TIGHTENING TORQUE 1.2Nm
 2X M4 螺丝, 推荐锁紧力矩为1.2Nm

PANEL CUT FOR FRAME USE WITHOUT HOODS/ HOUSINGS



NOTES:


- 1. TECHNICAL CHARACTERISTICS:
 FRAME MATERIAL: DIE CAST ZINC ALLOY
 NUMBER OF MODULES: 4
 SURFACE: ZINC PLATED
 MATING CYCLES: 500 CYCLES

注释:

- 1. 技术参数:
 框架材料: 锌合金
 模块数量: 4
 表面处理: 镀锌
 插拔次数: 500次

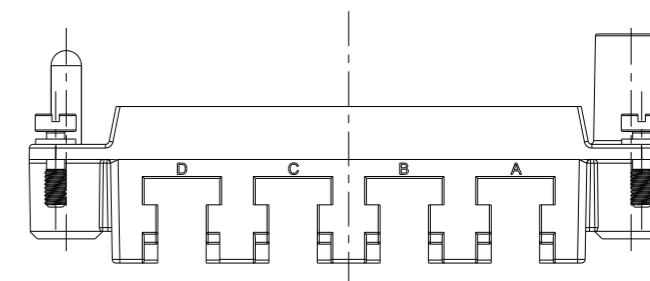
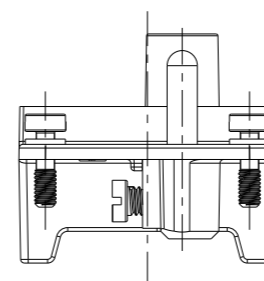
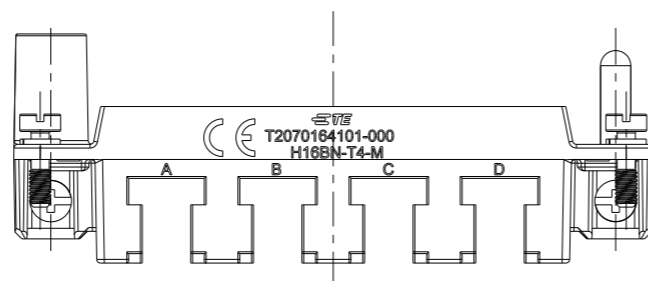
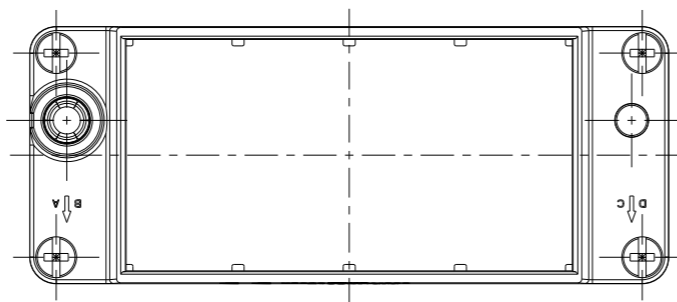
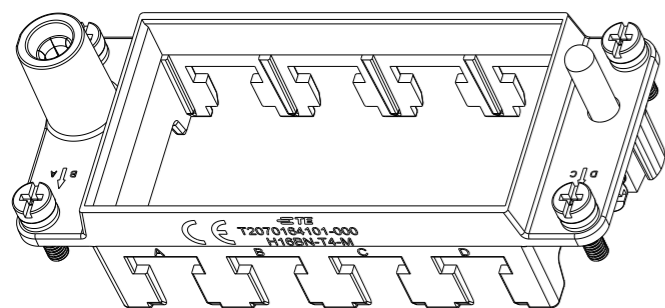
T2070164001-000	H16BN-T4	H16BN MODULE FRAME H16BN模块框架
T2070164101-000	H16BN-T4-M	H16BN MALE MODULE FRAME H16BN模块公框架
T2070164201-000	H16BN-T4-F	H16BN FEMALE MODULE FRAME H16BN模块母框架

PART NUMBER 料号	PART DESCRIPTION 描述
-------------------	------------------------

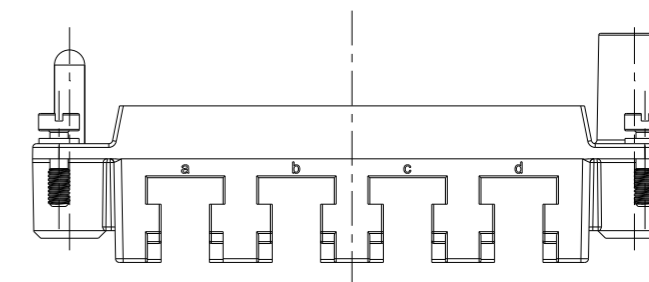
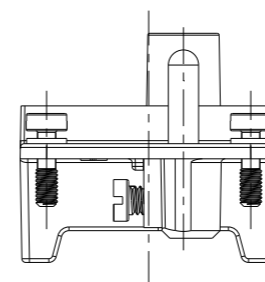
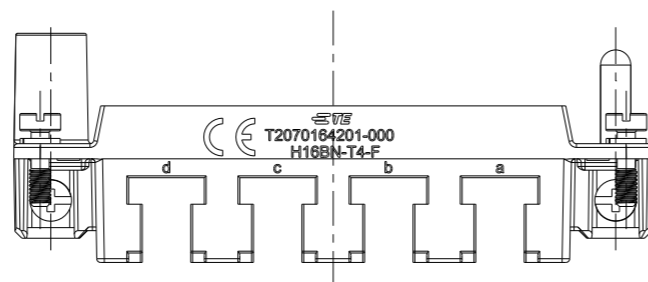
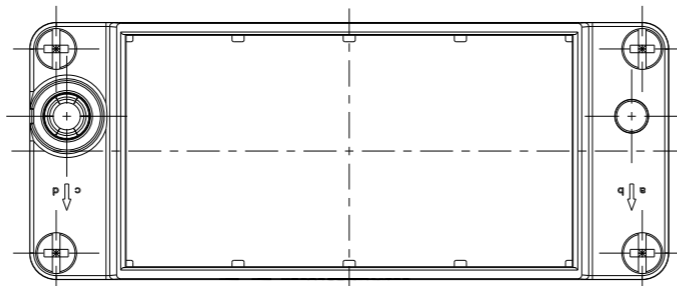
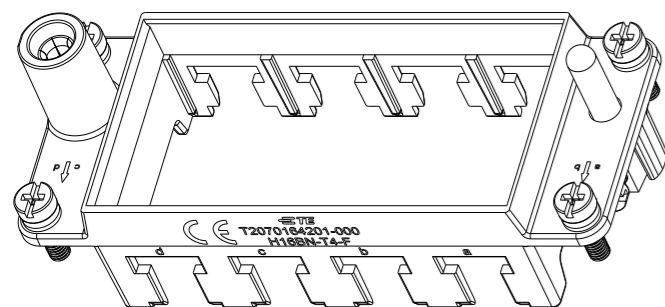
THIS DRAWING IS A CONTROLLED DOCUMENT.		DWN 28FEB2015 DAVID WANG		 TE Connectivity		
DIMENSIONS: mm		CHK 28FEB2015 CHRIS WANG				NAME H16BN-T4
TOLERANCES UNLESS OTHERWISE SPECIFIED:		APVD 28FEB2015 XIANG XU				
0 PLC ±- 1 PLC ±- 2 PLC ±- 3 PLC ±- 4 PLC ±- ANGLES ±- FINISH -		PRODUCT SPEC 108-137057		RESTRICTED TO		
MATERIAL		APPLICATION SPEC 114-137057		SIZE CAGE CODE DRAWING NO		
		WEIGHT		A300779 C-T2070164001000		
		Customer Drawing		SCALE 1:1 SHEET 1 OF 2 REV C		

REVISIONS

P	LTR	DESCRIPTION	DATE	DWN	APVD
-	-	SEE SHEET 1	-	-	-



T2070164101-000, H16BN-T4-M SHOWN
 WITH MARK, ALL DIMENSIONS THE SAME TO T2070164001-000
 T2070164101-000, H16BN-T4-M, 带标记, 所有尺寸同T2070164001-000一样

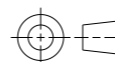


T2070164201-000, H16BN-T4-F SHOWN
 WITH MARK, ALL DIMENSIONS THE SAME TO T2070164001-000
 T2070164201-000, H16BN-T4-F, 带标记, 所有尺寸同T2070164001-000一样

THIS DRAWING IS A CONTROLLED DOCUMENT.

DIMENSIONS:

mm



TOLERANCES UNLESS OTHERWISE SPECIFIED:

- 0 PLC ±-
- 1 PLC ±-
- 2 PLC ±-
- 3 PLC ±-
- 4 PLC ±-
- ANGLES ±-
- FINISH ±-

MATERIAL

-

DWN 28FEB2015

DAVID WANG

CHK 28FEB2015

CHRIS WANG

APVD 28FEB2015

XIANG XU

PRODUCT SPEC 108-137057

APPLICATION SPEC 114-137057

WEIGHT -

Customer Drawing

NAME

H16BN-T4

SIZE

A3

CAGE CODE

DRAWING NO

00779

RESTRICTED TO

©-T2070164001000

SCALE 1:1

SHEET 2 OF 2

REV C



TE Connectivity

Mouser Electronics

Authorized Distributor

Click to View Pricing, Inventory, Delivery & Lifecycle Information:

[TE Connectivity:](#)

[T2070164201-000](#)