



Pushing Performance

HARTING Product Change Notification

PCN

Business Unit: Electronics

PCN/20/019/C+N

Product range: Interface connectors / PushPull & RJ
Industrial

Date: 2020-11-16

Author: Lennart Koch

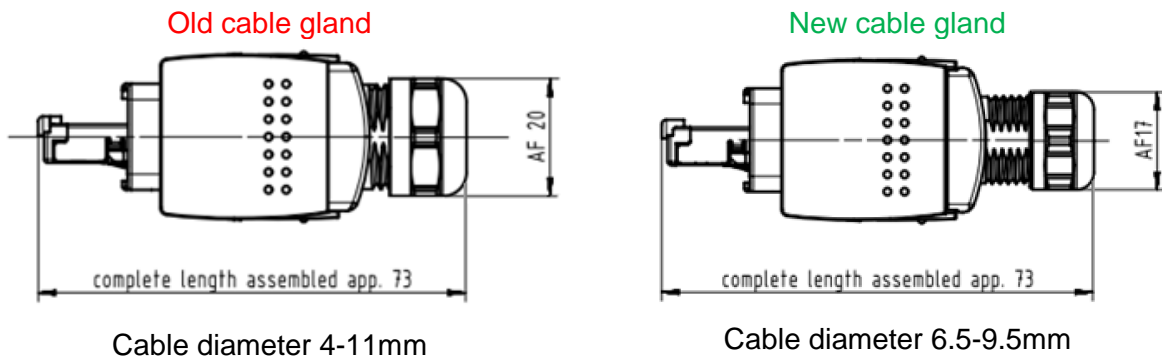
Title: Han PushPull RJ45 - New cable gland - External

Details of Product Changes

1. Concerned part number (see also attachment):

09 35 221 0401
09 35 226 0401

2. Description of changes / news:



3. Impact on product specification:

Across flat is changed from AF20 to AF17, cable diameter is changed to 6.5-9.5mm.

4. Scheduled date of implementation:

The change was already done and the production is producing new parts only. Depending on stock level and order intake it might take some time until every customer receive new parts as old and new parts might be mixed on stock.

5. Identification of change:

p/n	description	Date code of last production batch of old parts	Date code of first production batch of new parts	Revision level)	Revision
09352210401	Han PP Metall V14 RJ45 Cat5 Stvb. 4p IDC	1946	2013	05 (or higher)	
09352260401	Han PP RJ45 PN Metall Steckverb. Set	1943	2012	01 (or higher)	

6. Data sheet (optional):

- [0935 221 0401](#)
- [0935 226 0401](#)