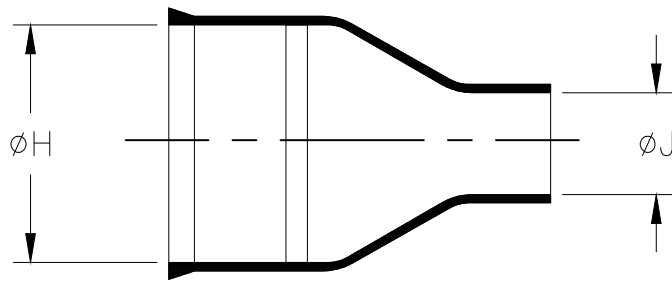
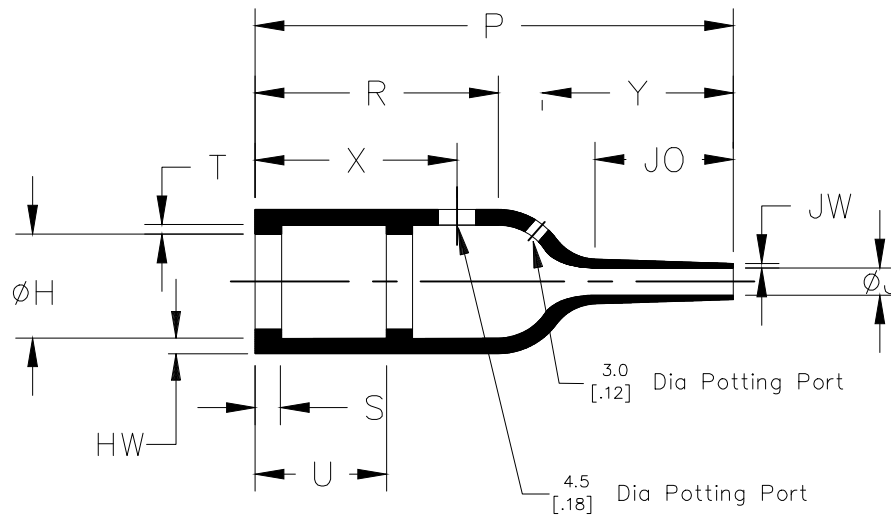


| REVISIONS | | | | |
|-----------|-----|------------------|-----------|--------|
| P | LTR | DESCRIPTION | DATE | APVD |
| | 6 | PRODUCTION ISSUE | 31JAN2019 | PNT MT |

a) Part as supplied.



b) Part after unrestricted recovery.



DIMENSIONS in millimetres
[in inches, for reference]

| Part No. | H | | J | | P | R | S | T | U | JO | HW | JW | X | Y |
|----------|-------------|---------------|--------------|--------------|--------------|--------------|--------------|--------------|-------------|-------------|--------------|--------------|-------------|-------------|
| | Min a | Max b | Min a | Max b | ±10% b | ±10% b | ±10% b | ±10% b | ±10% b | ±10% b | ±20% b | ±20% b | ±20% b | ±20% b |
| 202K232 | 25 [.98] | 13.8 [.54] | 8.0 [.31] | 3.3 [.13] | 55 [2.17] | 28 [1.10] | 3.0 [.12] | 1.0 [.04] | 15 [.59] | 16 [.63] | 1.8 [.07] | 0.5 [.02] | 24 [.94] | 23 [.90] |


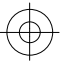
RELEASED FOR PUBLICATION

ALL RIGHTS RESERVED.

TE Connectivity Ltd.

COPYRIGHT

THIS DRAWING IS UNPUBLISHED.

| | | | | | | | | | | | |
|---|------------------|-----------|---|------------------|-----------|-------|------------|----------------|---------------|--------|-----|
| DIMENSIONS: mm [INCHES] | DWN | 31JAN2019 | MATERIAL | SEE SHEET 2 | FINISH | - | | | | | |
| | CHK | 31JAN2019 |  TE Connectivity Ltd. | | | | | | | | |
| TOLERANCES UNLESS OTHERWISE SPECIFIED: | N NAGAR | 31JAN2019 | | | | | | | | | |
| 0 PLC ± - 1 PLC ± - 2 PLC ± - 3 PLC ± - 4 PLC ± - ANGLES ± - | APVD | 31JAN2019 | NAME MOULDED BOOT, STRAIGHT, WITH LIP | | | | | | | | |
| | M TAYLOR | 31JAN2019 | | | | | | | | | |
|  | PRODUCT SPEC | - | SIZE | A4 | CAGE CODE | 00779 | DRAWING NO | C-202K232-XX-0 | RESTRICTED TO | - | |
| | APPLICATION SPEC | - | WEIGHT | CUSTOMER DRAWING | | | SCALE | DNS | SHEET | 1 OF 2 | REV |

| REVISIONS | | | | | |
|-----------|-----|-------------|------|-----|------|
| P | LTR | DESCRIPTION | DATE | DWN | APVD |
| | - | SEE SHEET 1 | - | - | - |

COMPATIBILITY CHART

| Material Dash Number | Material Description | RT Spec | Coating Slash No. | Coating S No. |
|----------------------|----------------------------|---------|-------------------|---------------------|
| -3 | POLYOLEFIN, SEMI-RIGID | RT-301 | /42, /86, /180 | S1017; S1048; S1030 |
| -4 | POLYOLEFIN, FLEXIBLE | RT-1304 | /42, /86, /180 | S1017; S1048; S1030 |
| -12 | FLUOROELASTOMER, FLEXIBLE | RT-1312 | N/A | N/A |
| -25 | ELASTOMER, FLUID RESISTANT | RW-2070 | /42, /86, /225 | S1017; S1048; S1206 |

Ordering Information

202K232-XX/XX-0

- Color designator
- Adhesive Slash Number (if required see compatibility chart)
- Material Dash Number (see compatibility chart)
- Base Part Number

NOTES

- 1) As supplied dimensions are for uncoated parts, when coating is added entry diameters will reduce by 1.5mm[.06]max.
- 2) Potting Ports are optional, when specified by suffix "-00" they will be located as shown.

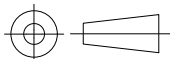
RELEASED FOR PUBLICATION

ALL RIGHTS RESERVED.

© COPYRIGHT - TE Connectivity Ltd.

THIS DRAWING IS UNPUBLISHED.

| | | | | | |
|--|-----------------------|-------------------|--------------------------------|--------------------|--|
| DIMENSIONS: mm [INCHES] | DWN PRAVEEN N T | 31JAN2019 | MATERIAL SEE SHEET 2 | FINISH - | |
| | CHK N NAGAR | 31JAN2019 | TE TE Connectivity Ltd. | | |
| TOLERANCES UNLESS OTHERWISE SPECIFIED: | APVD M TAYLOR | 31JAN2019 | | | NAME MOULDED BOOT, STRAIGHT, WITH LIP |
| | 0 PLC ± - | PRODUCT SPEC - | SIZE A4 | CAGE CODE 00779 | DRAWING NO G-202K232-XX-0 |
| 1 PLC ± - | APPLICATION SPEC - | WEIGHT | CUSTOMER DRAWING | | |
| 2 PLC ± - | | | SCALE DNS | SHEET 2 OF 2 | REV 6 |
| 3 PLC ± - | | | | | |
| 4 PLC ± - | | | | | |
| ANGLES ± - | | | | | |



Mouser Electronics

Authorized Distributor

Click to View Pricing, Inventory, Delivery & Lifecycle Information:

[TE Connectivity:](#)

[202K232-3-0](#)