

# Customer Information Sheet

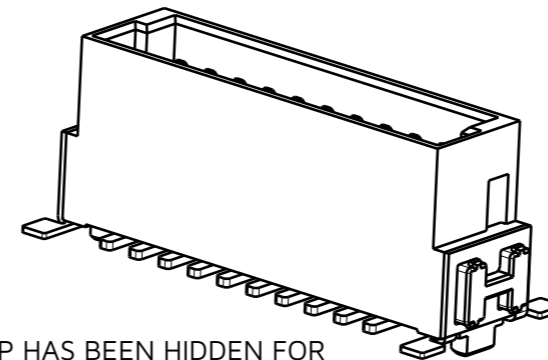
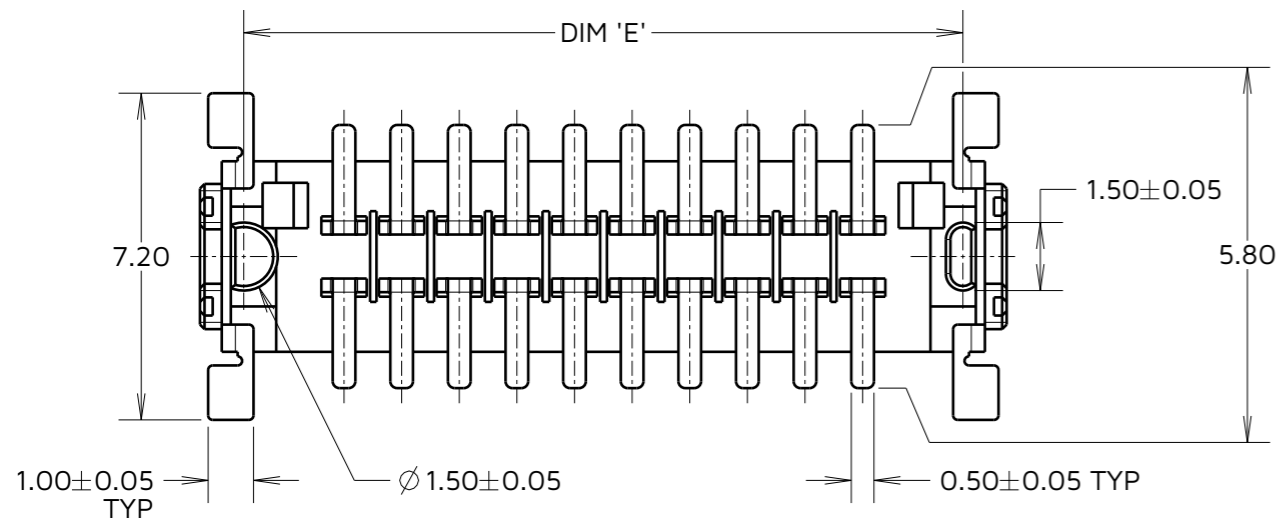
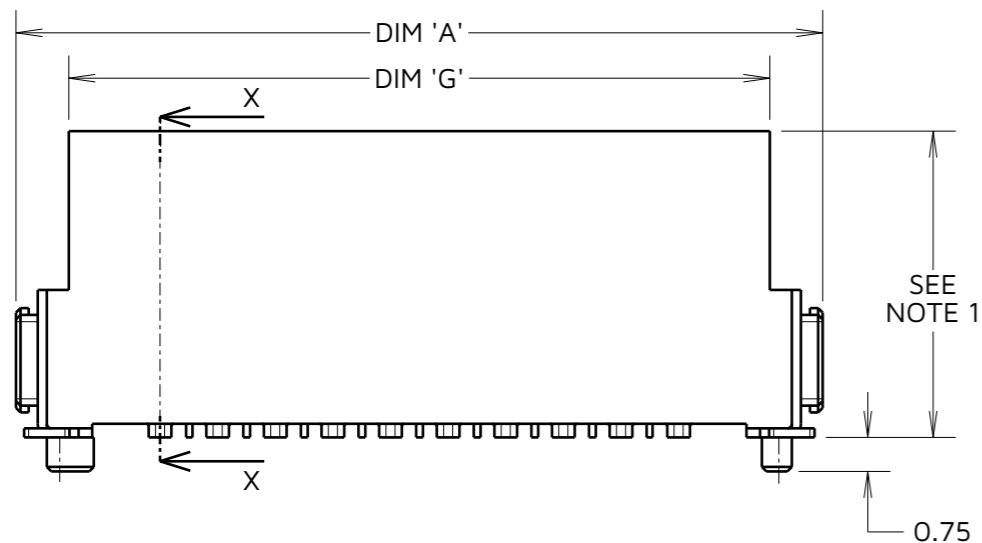
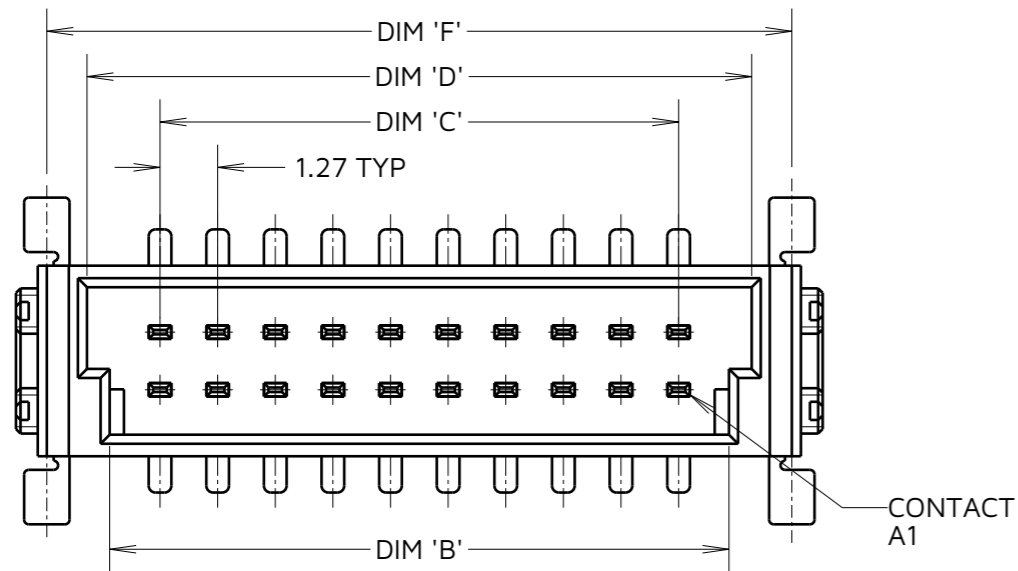
IF IN DOUBT - ASK

©

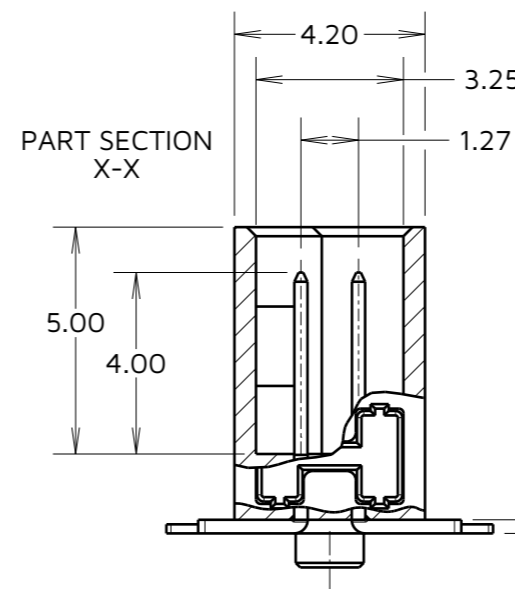
NOT TO SCALE

THIRD ANGLE PROJECTION

ALL DIMENSIONS IN mm



CAP HAS BEEN HIDDEN FOR ILLUSTRATION PURPOSES ONLY. SEE NOTE 1



0.30±0.02	0.10	12 - 50 CONTACTS
	0.15	68 - 80 CONTACTS

**SPECIFICATIONS:**

**MATERIAL:**

MOULDING & CAP = HIGH TEMP, LCP, UL94V-0

CONTACT = PHOSPHOR BRONZE

RETAINING STRAP = BRASS

**PLATING:**

CONTACT = 0.025µm MIN GOLD OVER

2.03µm MIN NICKEL ON CONTACT AREA,

2.54µm MIN TIN OVER

1.27µm MIN NICKEL ON TAILS

RETAINING STRAP = 2.45µm MIN TIN OVER

1.01µm MIN NICKEL

**ORDER CODE:**

**M55-70XXX42R**

**CONNECTOR HEIGHT:**

0 = 6.75mm

1 = 8.25mm

2 = 9.85mm

**TOTAL No. OF CONTACTS:**

12, 16, 20, 26,

32, 40, 50, 68, 80

PART No.	DIM 'A'	DIM 'B'	DIM 'C'	DIM 'D'	DIM 'E'	DIM 'F'	DIM 'G'
M55-70X1242R	12.70	8.57	6.35	9.57	10.77	11.34	10.37
M55-70X1642R	15.24	11.11	8.89	12.11	13.31	13.88	12.91
M55-70X2042R	17.78	13.65	11.43	14.65	15.85	16.42	15.45
M55-70X2642R	21.59	17.46	15.24	18.46	19.66	20.23	19.26
M55-70X3242R	25.40	21.27	19.05	22.27	23.47	24.04	23.07
M55-70X4042R	30.48	26.35	24.13	27.35	28.55	29.12	28.15
M55-70X5042R	36.83	32.70	30.48	33.70	34.90	35.47	34.50
M55-70X6842R	48.26	44.13	41.91	45.13	46.33	46.90	45.93
M55-70X8042R	55.88	51.75	49.53	52.75	53.95	54.52	53.55

MGP	8	03.08.23	32860
NAME	ISS.	DATE	CN/CO
APPROVED: MGP			
CHECKED: AB			
DRAWN: M.PERREN			
ASSEMBLY DRG:			

**NOTES:**

- SEE ORDER CODE AND SHEET 5 FOR CONNECTOR HEIGHT AND CAP DETAILS. SEE SHEET 7 FOR RECOMMENDED PCB LAYOUTS.
- FOR TAPE AND REEL DETAILS, SEE SHEET 6.
- ALL TOLERANCES ARE ±0.20, UNLESS OTHERWISE STATED.
- COMPLETE SPECIFICATION PLEASE SEE COMPONENT SPECIFICATION C047XX (LATEST ISSUE).

**HARWIN**

www.harwin.com

**TOLERANCES**

X = ±1mm  
 X.X = ±0.50mm  
 X.XX = ±0.20mm  
 X.XXX = ±0.01mm

ANGLES = ±5°  
 UNLESS STATED

THIS DRAWING AND ANY INFORMATION OR DESCRIPTIVE MATTER SET OUT HEREON ARE CONFIDENTIAL AND COPYRIGHT PROPERTY OF THE HARWIN GROUP AND MUST NOT BE DISCLOSED, LOANED, COPIED OR USED FOR MANUFACTURING, TENDERING OR FOR ANY OTHER PURPOSE WITHOUT THEIR WRITTEN PERMISSION.

**MATERIAL:**

SEE ABOVE

**TITLE:**

**1.27mm PITCH VERTICAL MALE CONNECTOR**

**DRAWING NUMBER:**

**M55-70XXX42R**

SHT  
4 OF 7

# Customer Information Sheet

IF IN DOUBT - ASK

©

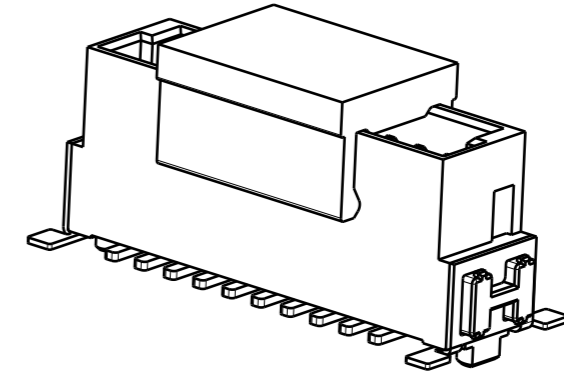
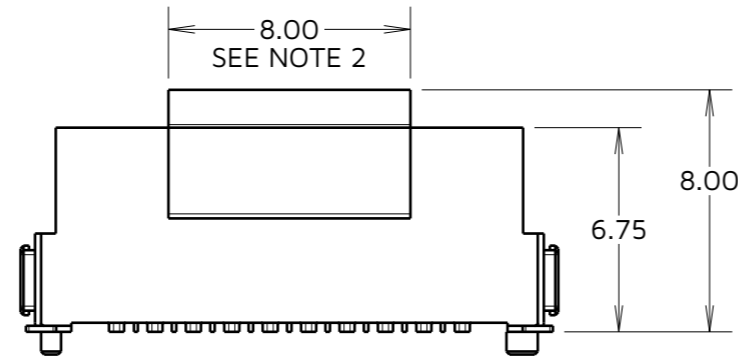
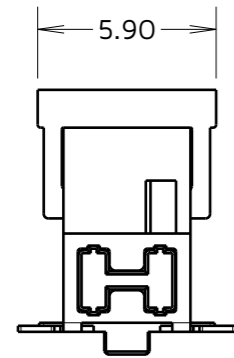
NOT TO SCALE

THIRD ANGLE PROJECTION

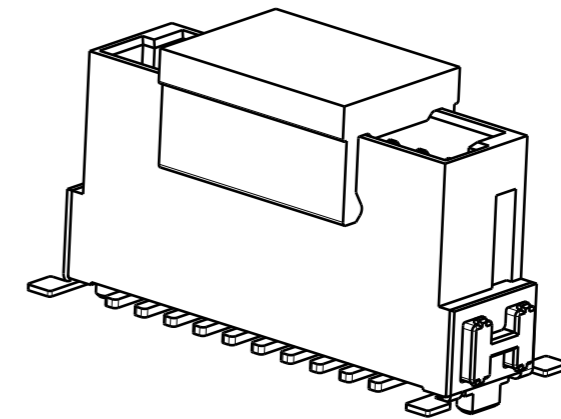
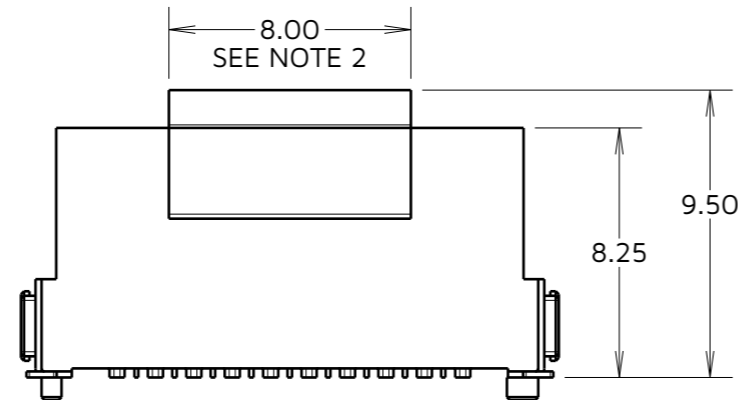
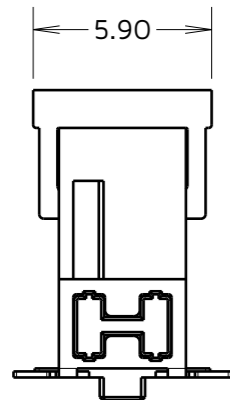
ALL DIMENSIONS IN mm

## CONNECTOR HEIGHT DETAILS

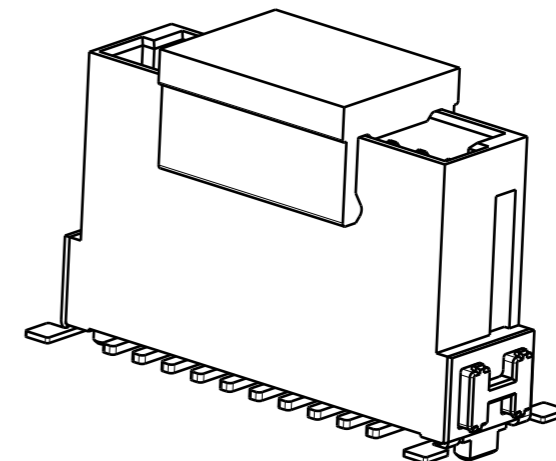
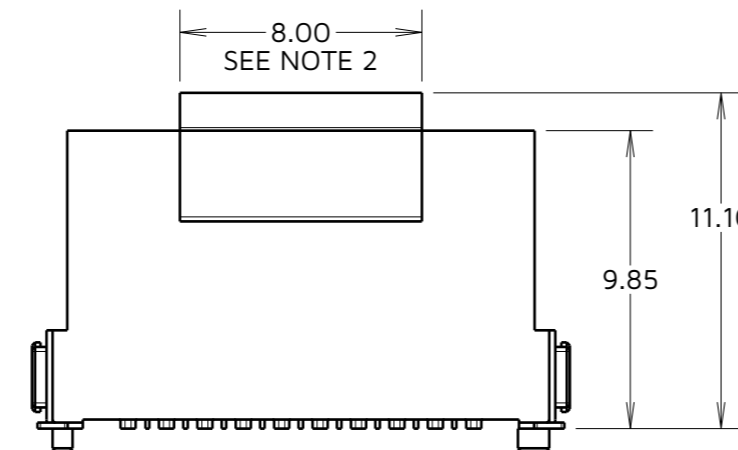
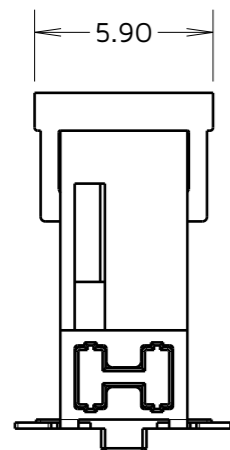
### M55-700XX42R



### M55-701XX42R



### M55-702XX42R



MGP	8	03.08.23	32860
NAME	ISS.	DATE	CN/CO
APPROVED: MGP			
CHECKED: AB			
DRAWN: M.PERREN			
ASSEMBLY DRG:			

- NOTES:
- ALL TOLERANCES ARE  $\pm 0.20$ , UNLESS OTHERWISE STATED.
  - PICK & PLACE CAP POSITIONED CENTRAL  $\pm 1.6$ mm TO MOULDING DIM 'A', SEE SHEET 4.

**HARWIN**

www.harwin.com

TOLERANCES  
X. =  $\pm 1$ mm  
X.X =  $\pm 0.50$ mm  
X.XX =  $\pm 0.20$ mm  
X.XXX =  $\pm 0.01$ mm  
ANGLES =  $\pm 5^\circ$   
UNLESS STATED

THIS DRAWING AND ANY INFORMATION OR DESCRIPTIVE MATTER SET OUT HEREON ARE CONFIDENTIAL AND COPYRIGHT PROPERTY OF THE HARWIN GROUP AND MUST NOT BE DISCLOSED, LOANED, COPIED OR USED FOR MANUFACTURING, TENDERING OR FOR ANY OTHER PURPOSE WITHOUT THEIR WRITTEN PERMISSION.

MATERIAL:

SEE SHEET 4

TITLE:

1.27mm PITCH VERTICAL MALE CONNECTOR

DRAWING NUMBER:

M55-70XXX42R

SHT  
5 OF 7

# Customer Information Sheet

IF IN DOUBT - ASK

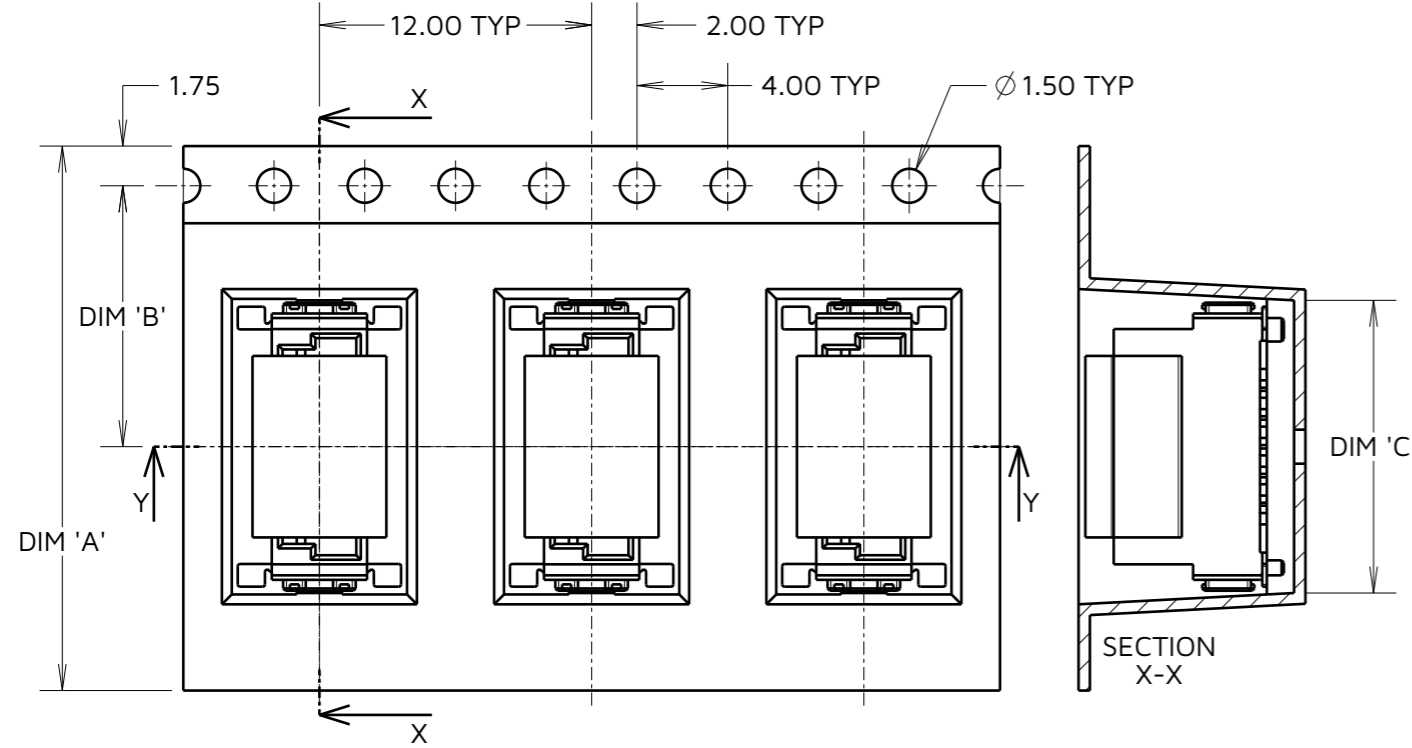
©

NOT TO SCALE

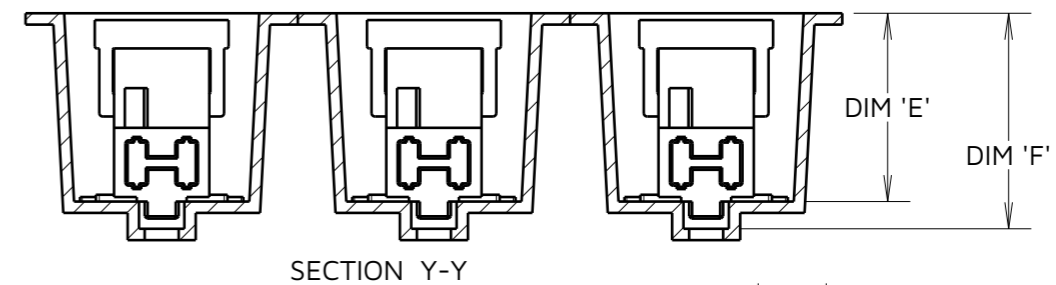
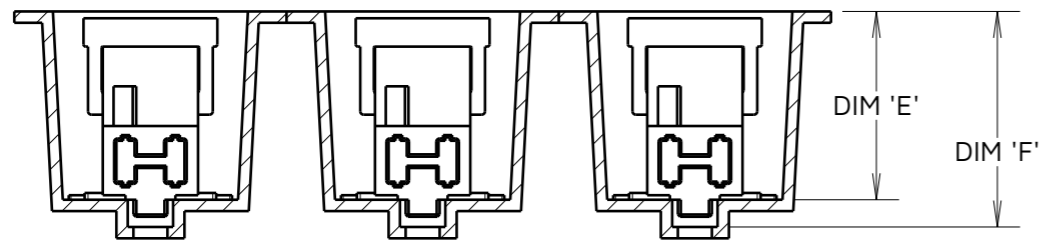
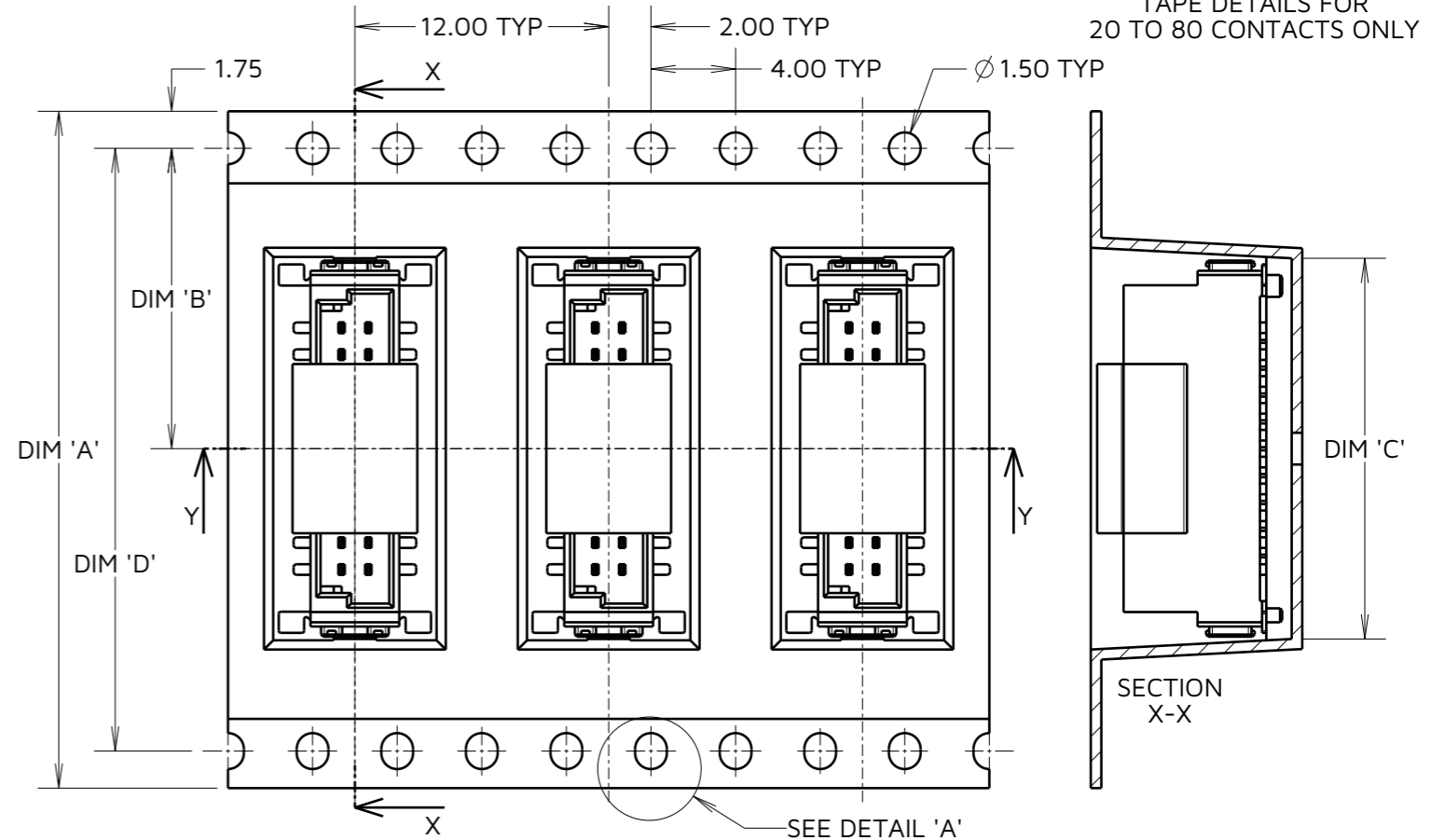
THIRD ANGLE PROJECTION

ALL DIMENSIONS IN mm

TAPE DETAILS FOR  
12 & 16 CONTACTS ONLY



TAPE DETAILS FOR  
20 TO 80 CONTACTS ONLY



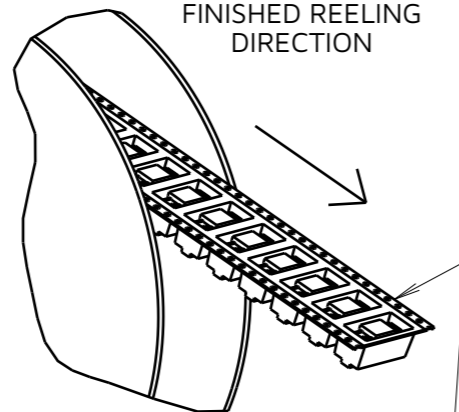
ORDER CODE:  
**M55-70XXX42R**

CONNECTOR HEIGHT:  
0 = 6.75mm  
1 = 8.25mm  
2 = 9.85mm

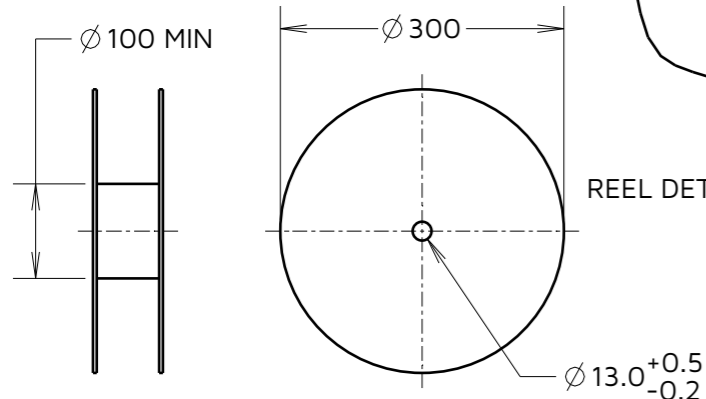
TOTAL No. OF CONTACTS:  
12, 16, 20, 26,  
32, 40, 50, 68, 80

SECTION Y-Y

FINISHED REELING  
DIRECTION

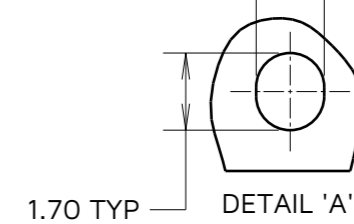


REEL DETAILS



PART No.	DIMENSION			
	DIM 'A' ±0.30	DIM 'B'	DIM 'C' ±0.15	DIM 'D'
M55-70X1242R	24.00	11.50	12.90	N/A
M55-70X1642R	32.00	14.20	18.00	28.40
M55-70X2042R	44.00	20.20	21.79	40.40
M55-70X2642R	56.00	26.20	27.03	52.40
M55-70X3242R	72.00	34.20	35.08	68.40

1.50 TYP



PART No.	DIMENSION		PACK QTY
	DIM 'E'	DIM 'F'	
M55-700XX42R	8.3	9.5	500
M55-701XX42R	9.8	11.0	450
M55-702XX42R	11.4	12.6	300

MGP	8	03.08.23	32860
NAME	ISS.	DATE	CN/CO
APPROVED: MGP			
CHECKED: AB			
DRAWN: M.PERREN			
ASSEMBLY DRG:			

- NOTES:
- PRODUCT IS TAPE AND REELED IN GENERAL ACCORDANCE WITH EIA-481 (ELECTRONIC INDUSTRIES ASSOCIATION).
  - FOR CONNECTOR DETAILS, SEE SHEET 4 & 5.

**HARWIN**

www.harwin.com

TOLERANCES  
X. = ±1mm  
X.X = ±0.50mm  
X.XX = ±0.20mm  
X.XXX = ±0.01mm  
ANGLES = ±5°  
UNLESS STATED

THIS DRAWING AND ANY INFORMATION OR DESCRIPTIVE MATTER SET OUT HEREON ARE CONFIDENTIAL AND COPYRIGHT PROPERTY OF THE HARWIN GROUP AND MUST NOT BE DISCLOSED, LOANED, COPIED OR USED FOR MANUFACTURING, TENDERING OR FOR ANY OTHER PURPOSE WITHOUT THEIR WRITTEN PERMISSION.

MATERIAL:

SEE SHEET 4

TITLE:

1.27mm PITCH VERTICAL  
MALE CONNECTOR

DRAWING NUMBER:

M55-70XXX42R

SHT  
6 OF 7

# Customer Information Sheet

IF IN DOUBT - ASK

©

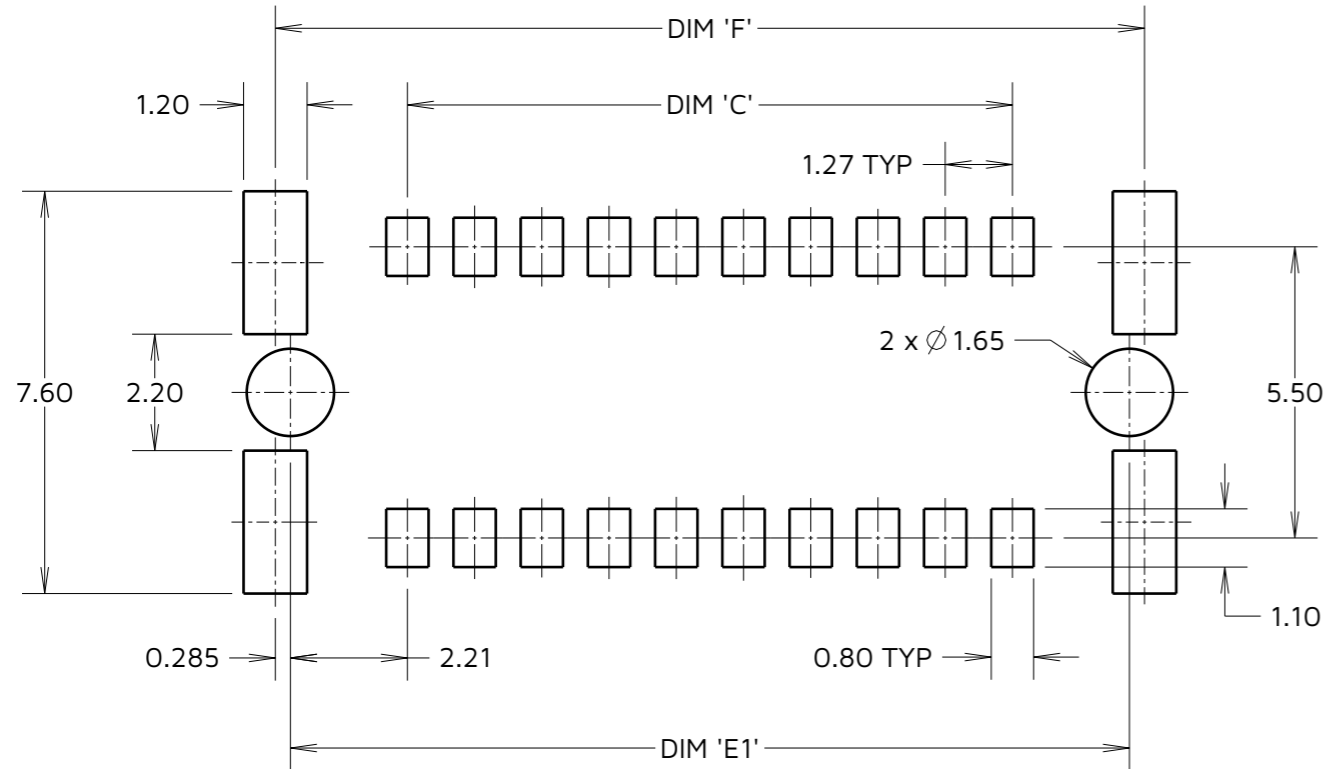
NOT TO SCALE

THIRD ANGLE PROJECTION

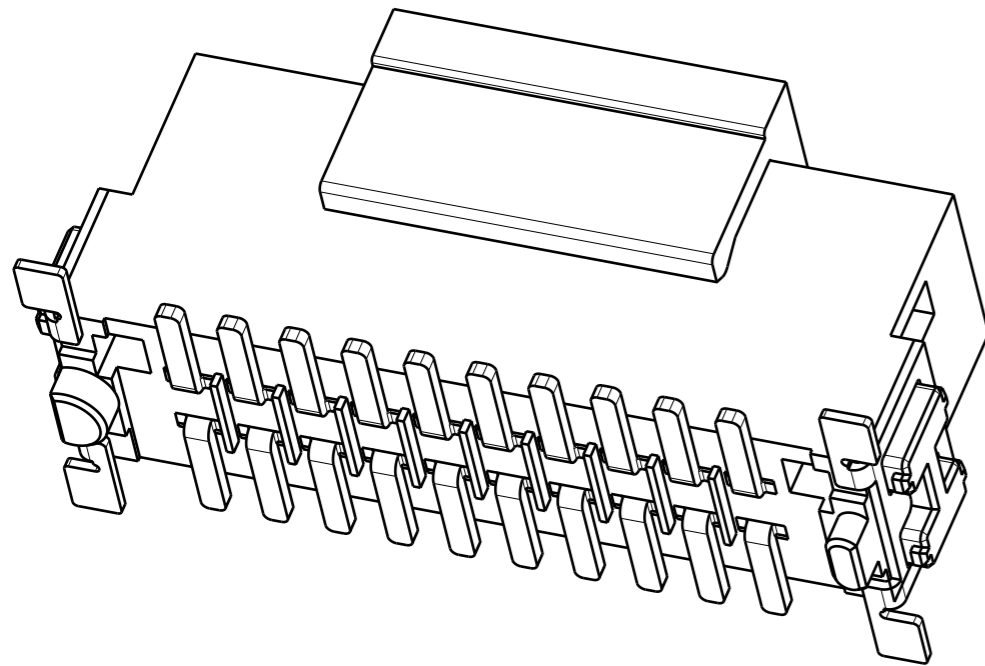
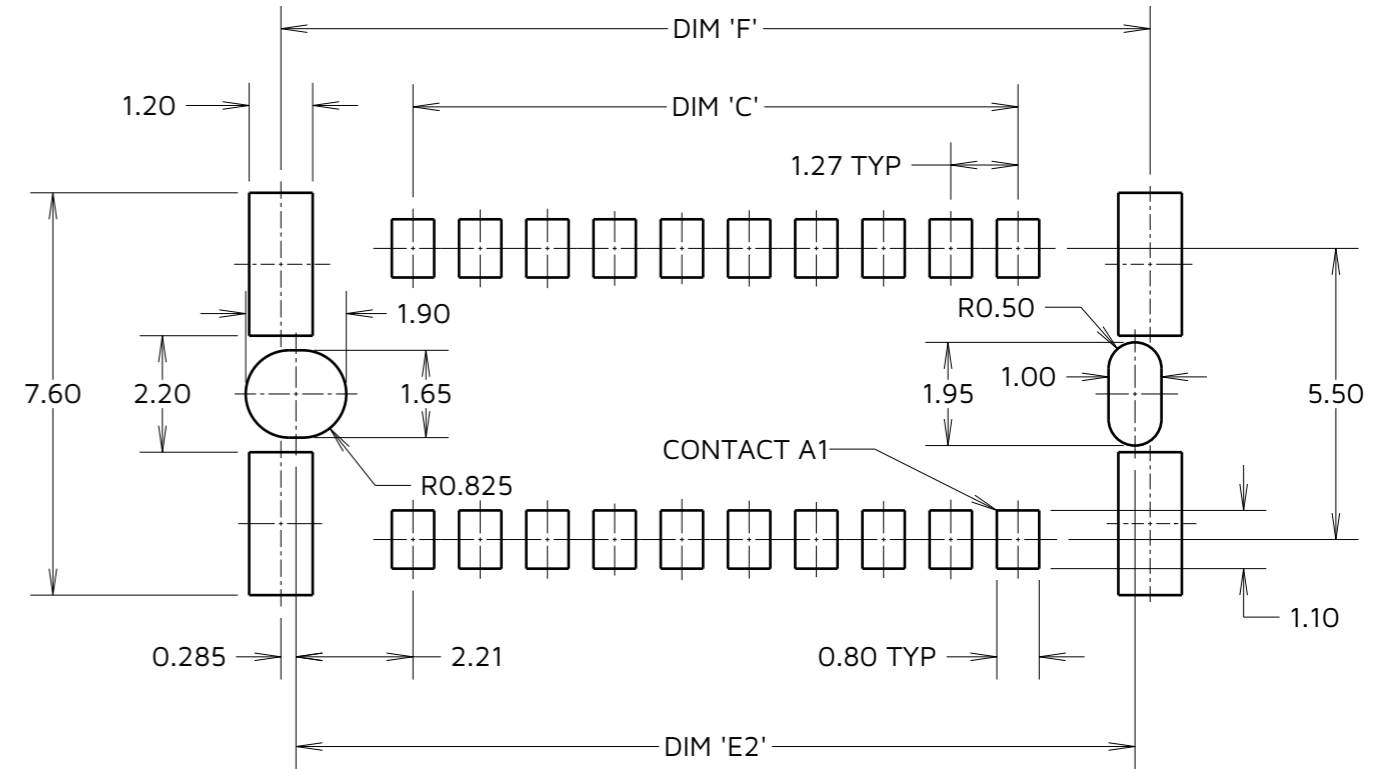
ALL DIMENSIONS IN mm

## ROUND AND POLARIZED RECOMMENDED PCB LAYOUTS OPTIONS

RECOMMENDED ROUND HOLE PCB LAYOUT  
TOLERANCE =  $\pm 0.05$



RECOMMENDED POLARIZED HOLE PCB LAYOUT  
TOLERANCE =  $\pm 0.05$



ORDER CODE:

**M55-70XXX42R**

CONNECTOR HEIGHT:

- 0 = 6.75mm
- 1 = 8.25mm
- 2 = 9.85mm

TOTAL No. OF CONTACTS:

- 12, 16, 20, 26,
- 32, 40, 50, 68, 80

PART No.	DIM 'C'	DIM 'E1'	DIM 'E2'	DIM 'F'
M55-70X1242R	6.35	10.77	10.70	11.34
M55-70X1642R	8.89	13.31	13.24	13.88
M55-70X2042R	11.43	15.85	15.78	16.42
M55-70X2642R	15.24	19.66	19.59	20.23
M55-70X3242R	19.05	23.47	23.40	24.04
M55-70X4042R	24.13	28.55	28.48	29.12
M55-70X5042R	30.48	34.90	34.83	35.47
M55-70X6842R	41.91	46.33	46.26	46.90
M55-70X8042R	49.53	53.95	53.88	54.52

MGP	8	03.08.23	32860
NAME	ISS.	DATE	CN/CO
APPROVED: MGP			
CHECKED: AB			
DRAWN: M.PERREN			
ASSEMBLY DRG:			

**HARWIN**

www.harwin.com

TOLERANCES  
X. =  $\pm 1$ mm  
X.X =  $\pm 0.50$ mm  
X.XX =  $\pm 0.20$ mm  
X.XXX =  $\pm 0.01$ mm  
ANGLES =  $\pm 5^\circ$   
UNLESS STATED

THIS DRAWING AND ANY INFORMATION OR DESCRIPTIVE MATTER SET OUT HEREON ARE CONFIDENTIAL AND COPYRIGHT PROPERTY OF THE HARWIN GROUP AND MUST NOT BE DISCLOSED, LOANED, COPIED OR USED FOR MANUFACTURING, TENDERING OR FOR ANY OTHER PURPOSE WITHOUT THEIR WRITTEN PERMISSION.

MATERIAL:

SEE SHEET 4

TITLE:

1.27mm PITCH VERTICAL MALE CONNECTOR

DRAWING NUMBER:

M55-70XXX42R

SHT  
7  
OF  
7

# Mouser Electronics

Authorized Distributor

Click to View Pricing, Inventory, Delivery & Lifecycle Information:

## Harwin:

[M55-7001242R](#) [M55-7021642R](#) [M55-7012642R](#) [M55-7006842R](#) [M55-7008042R](#) [M55-7011242R](#) [M55-7016842R](#)  
[M55-7022642R](#) [M55-7015042R](#) [M55-7026842R](#) [M55-7002642R](#) [M55-7025042R](#) [M55-7024042R](#) [M55-7005042R](#)  
[M55-7028042R](#) [M55-7011642R](#) [M55-7012042R](#) [M55-7014042R](#) [M55-7021242R](#) [M55-7001642R](#) [M55-7018042R](#)  
[M55-7022042R](#) [M55-7002042R](#) [M55-7004042R](#) [M55-7003242R](#) [M55-7013242R](#) [M55-7023242R](#)