

# Customer Information Sheet

DRAWING No.: M40-320XX45R

IF IN DOUBT - ASK



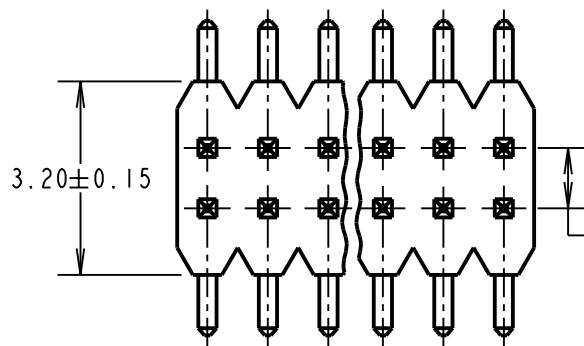
NOT TO SCALE

THIRD ANGLE PROJECTION

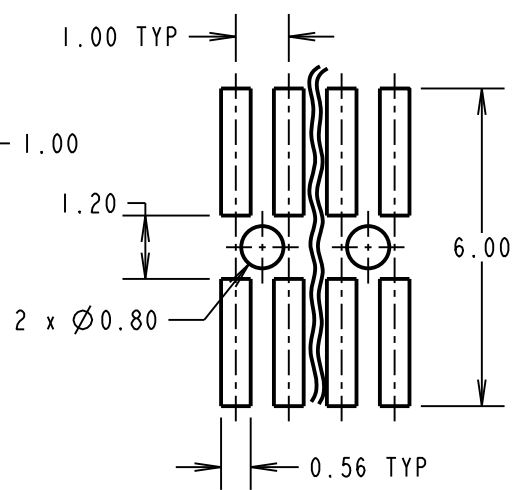
ALL DIMENSIONS IN mm

**SPECIFICATIONS:**

**MATERIAL:**  
 HOUSING = GLASS FILLED PA9T,  
 UL94V-0, BLACK  
**CONTACTS = BRASS**  
**FINISH:**  
 45 = GOLD FLASH OVER NICKEL  
 FOR COMPLETE SPECIFICATION, SEE COMPONENT  
 SPECIFICATION C026XX (LATEST ISSUE)



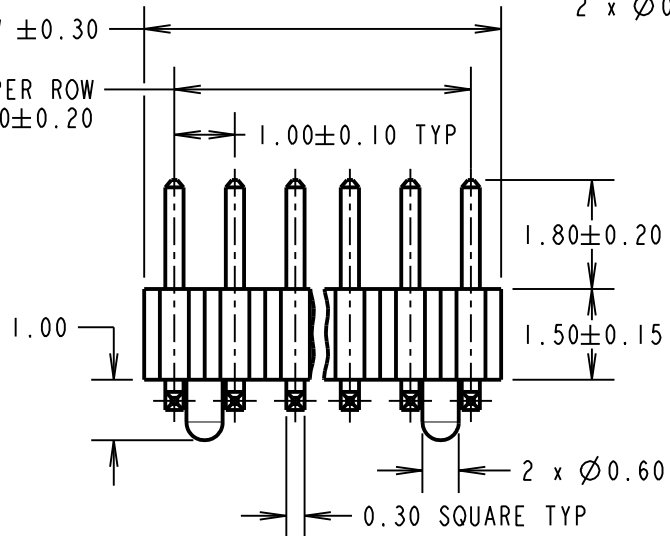
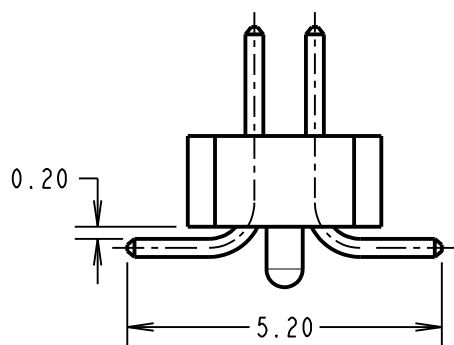
RECOMMENDED PCB LAYOUT  
 TOLERANCE ±0.05mm



ORDER CODE:  
**M40-320XX45R**  
 No. OF CONTACTS PER ROW  
 03, 04, 05, 06, 08, 10, 20  
 25

No. OF CONTACTS PER ROW ±0.30

No. OF CONTACTS PER ROW  
 - 1.00 ± 0.20



- NOTES:**
1. ALL TOLERANCES ARE ±0.25 UNLESS OTHERWISE STATED.
  2. CAP REMOVED FROM MAIN VIEWS FOR CLARITY, PART COMES FITTED WITH CAP. SEE SHEET 4 FOR CAP DETAILS.

|                |      |          |       |
|----------------|------|----------|-------|
| MGP            | 4    | 13.01.22 | 31219 |
| NAME           | ISS. | DATE     | CN/CO |
| APPROVED: MGP  |      |          |       |
| CHECKED: RA    |      |          |       |
| DRAWN:         |      | R. ADDE  |       |
| CUSTOMER REF.: |      |          |       |
| ASSEMBLY DRG:  |      |          |       |



www.harwin.com  
 technical@harwin.com

THIS DRAWING AND ANY INFORMATION OR DESCRIPTIVE MATTER SET OUT HEREON ARE CONFIDENTIAL AND COPYRIGHT PROPERTY OF THE HARWIN GROUP AND MUST NOT BE DISCLOSED, LOANED, COPIED OR USED FOR MANUFACTURING, TENDERING OR FOR ANY OTHER PURPOSE WITHOUT THEIR WRITTEN PERMISSION.

**TOLERANCES**  
~~X = ±1mm~~  
~~X.X = ±0.50mm~~  
~~X.XX = ±0.20mm~~  
~~X.XXX = ±0.1mm~~  
 ANGLES = ±5°  
 UNLESS STATED

**MATERIAL:**  
 SEE ABOVE  
**FINISH:** SEE ABOVE  
**S/AREA:** mm<sup>2</sup>

**TITLE:** 1.00mm PITCH DIL  
 SMT PIN HEADER ASSEMBLY  
 (TAPE & REEL)

**DRAWING NUMBER:**  
**M40-320XX45R**

SHT  
 3  
 OF  
 4

# Customer Information Sheet

DRAWING No.: M40-320XX45R

IF IN DOUBT - ASK

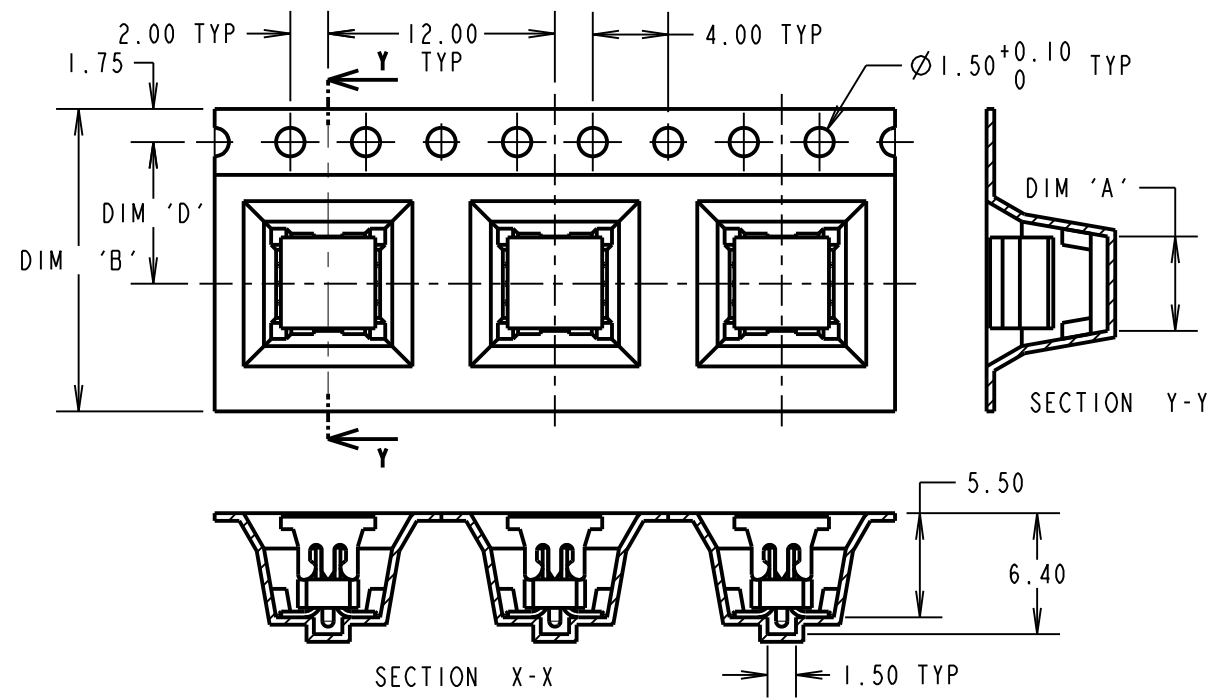
©

NOT TO SCALE

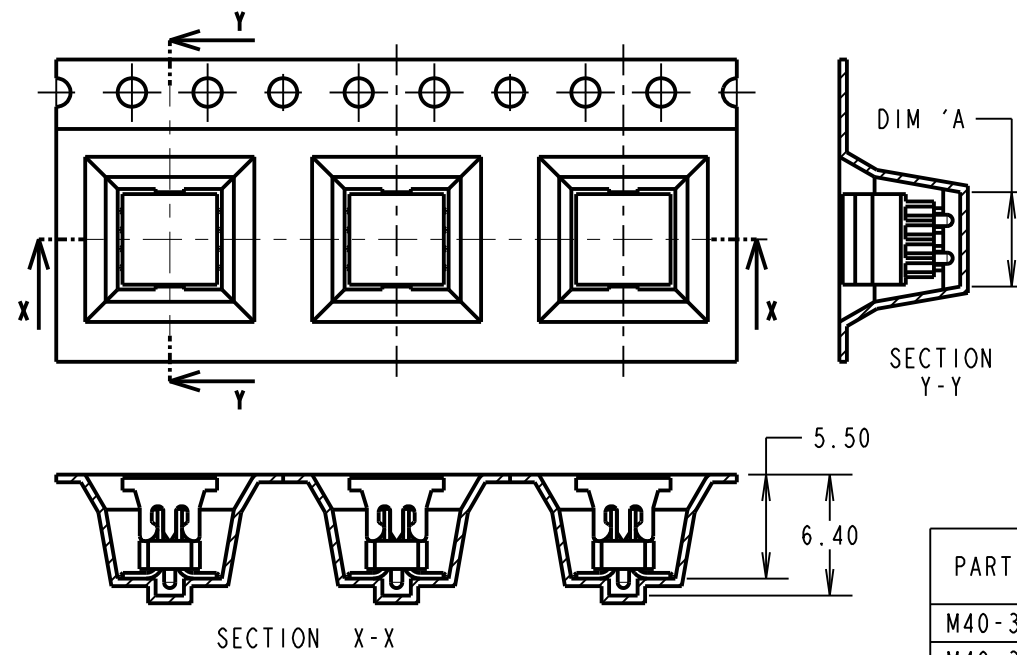
THIRD ANGLE PROJECTION

ALL DIMENSIONS IN mm

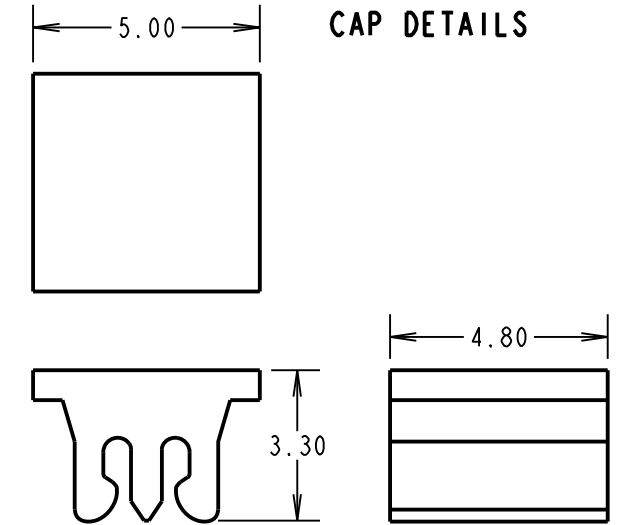
## 3 CONTACT PER ROW STYLE



## 4 TO 10 CONTACT PER ROW STYLE

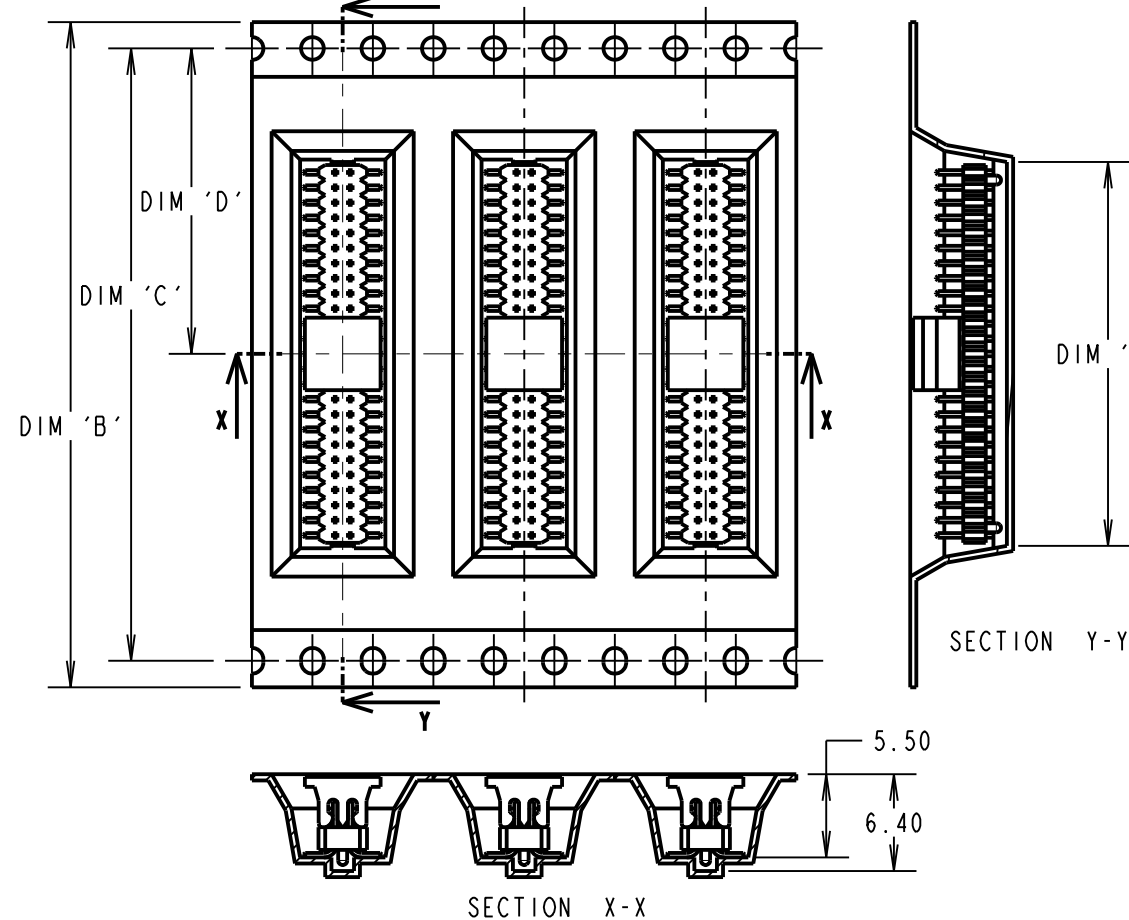


## CAP DETAILS

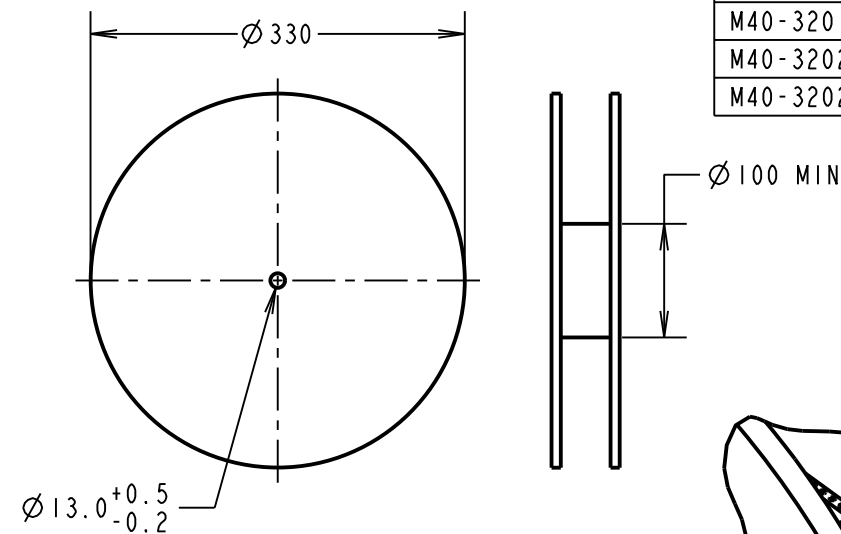


| PART NUMBER  | DIM 'A' | DIM 'B'    | DIM 'C' | DIM 'D'    |
|--------------|---------|------------|---------|------------|
| M40-3200345R | 5.00    | 16.00±0.30 | X       | 7.50±0.10  |
| M40-3200445R | 5.00    |            |         |            |
| M40-3200545R | 5.40    |            |         |            |
| M40-3200645R | 6.40    | 24.00±0.30 | X       | 11.50±0.10 |
| M40-3200845R | 8.40    |            |         |            |
| M40-3201045R | 10.40   | 44.00±0.30 | 40.40   | 20.20±0.15 |
| M40-3202045R | 20.40   |            |         |            |
| M40-3202545R | 25.40   |            |         |            |

## 20 & 25 CONTACT PER ROW STYLE



## REEL DETAILS

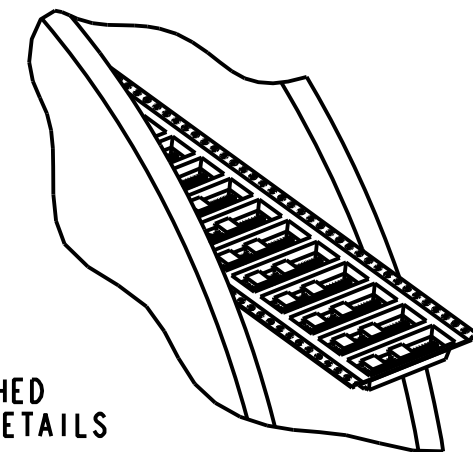


ORDER CODE:

**M40-320XX45R**

No. OF CONTACTS PER ROW  
03, 04, 05, 06, 08, 10, 20  
25

## FINISHED REELING DETAILS



### NOTES:

1. FOR CONNECTOR DIMENSIONS, SEE SHEET 3.
2. TAPE & REEL TO BE IN ACCORDANCE WITH EIA-481 (ELECTRONIC INDUSTRIES ASSOCIATION).
3. PICK & PLACE CAP IS THE SAME FOR ALL SIZES.
4. QUANTITY PER REEL FOR ALL SIZES = 800.
5. TAPE THICKNESS FOR ALL WAYS IS  $0.40 \pm 0.10$ .

**HARWIN**

www.harwin.com  
technical@harwin.com

THIS DRAWING AND ANY INFORMATION OR DESCRIPTIVE MATTER SET OUT HEREON ARE CONFIDENTIAL AND COPYRIGHT PROPERTY OF THE HARWIN GROUP AND MUST NOT BE DISCLOSED, LOANED, COPIED OR USED FOR MANUFACTURING, TENDERING OR FOR ANY OTHER PURPOSE WITHOUT THEIR WRITTEN PERMISSION.

### TOLERANCES

X. = ±1mm  
X.X = ±0.50mm  
X.XX = ±0.20mm  
X.XXX = ±0.01mm  
ANGLES = ±5°  
UNLESS STATED

### MATERIAL:

SEE SHEET 3

### FINISH:

SEE SHEET 3

### S/AREA:

mm<sup>2</sup>

TITLE: 1.00mm PITCH DIL  
SMT PIN HEADER ASSEMBLY  
(TAPE & REEL)

### DRAWING NUMBER:

**M40-320XX45R**

|                |      |          |       |
|----------------|------|----------|-------|
| MGP            | 4    | 13.01.22 | 31219 |
| NAME           | ISS. | DATE     | CN/CO |
| APPROVED: MGP  |      |          |       |
| CHECKED: RA    |      |          |       |
| DRAWN: R.ADDE  |      |          |       |
| CUSTOMER REF.: |      |          |       |
| ASSEMBLY DRG:  |      |          |       |

SHT  
4 OF 4

# Mouser Electronics

Authorized Distributor

Click to View Pricing, Inventory, Delivery & Lifecycle Information:

[Harwin:](#)

[M40-3200345R](#) [M40-3200445R](#) [M40-3200545R](#) [M40-3200645R](#) [M40-3200845R](#) [M40-3201045R](#) [M40-3202045R](#)  
[M40-3202545R](#)