

Customer Information Sheet

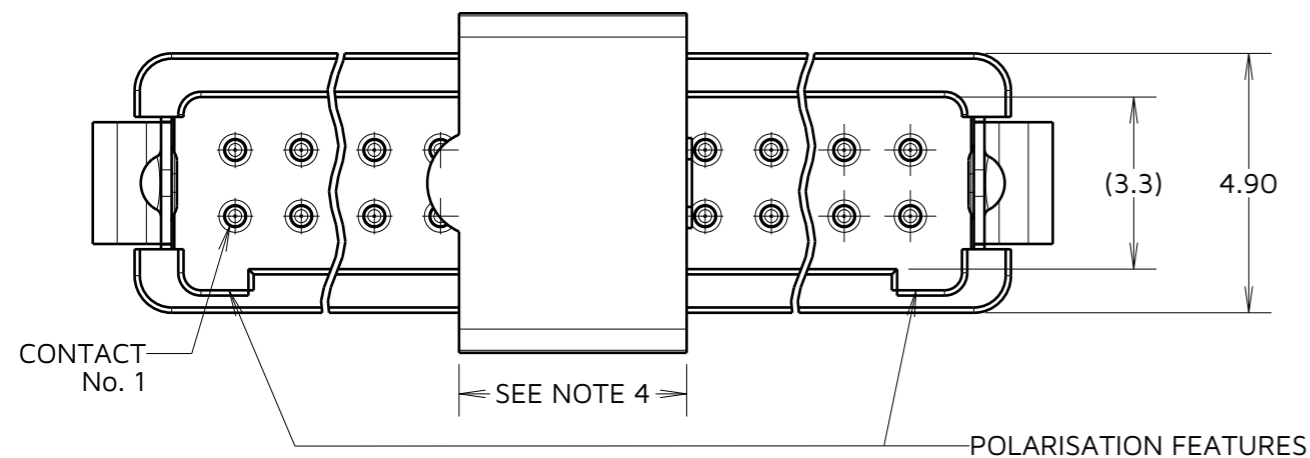
IF IN DOUBT - ASK

©

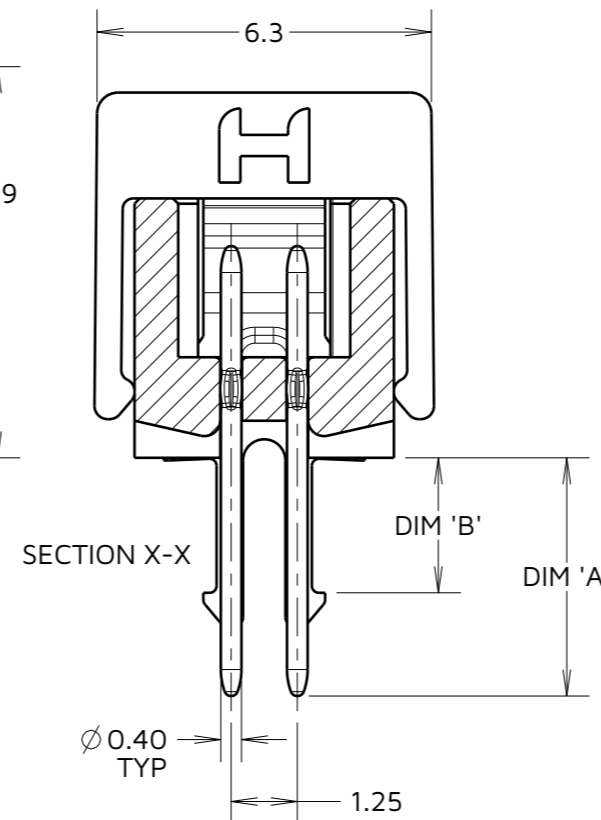
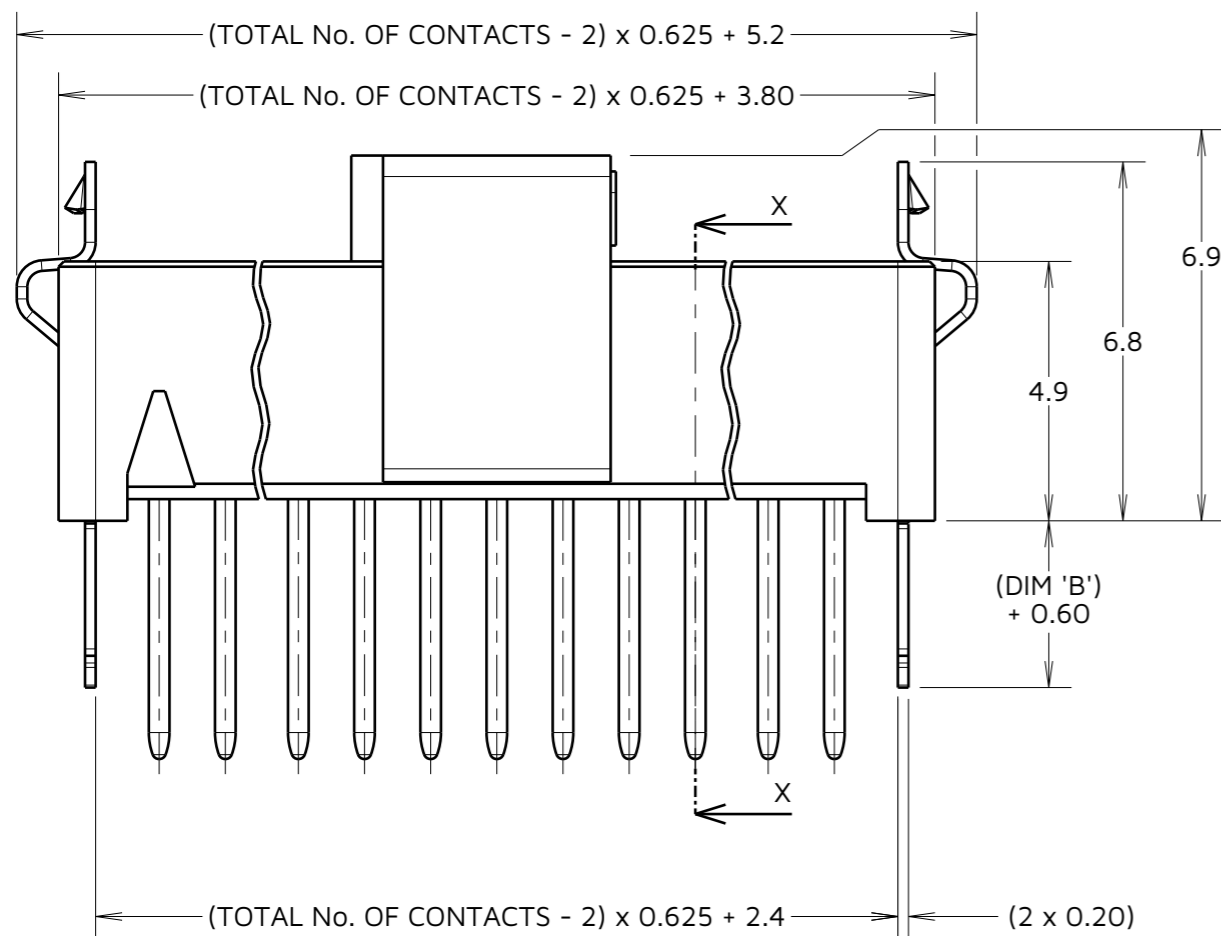
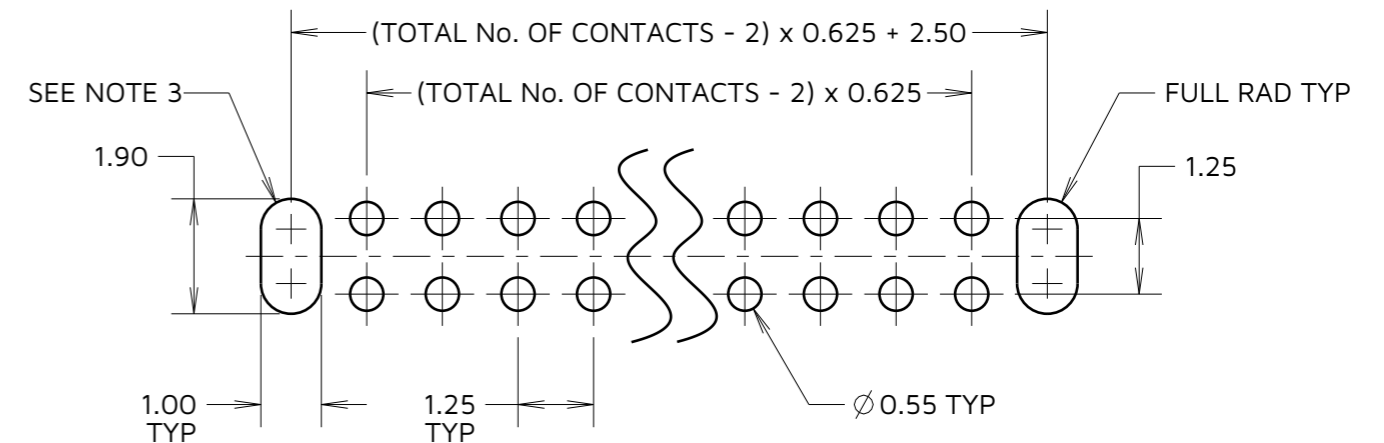
NOT TO SCALE

THIRD ANGLE PROJECTION

ALL DIMENSIONS IN mm



RECOMMENDED PCB LAYOUT - TOLERANCE = ±0.05



ORDER CODE:

G125-MVXXX05LXR

CONTACT STYLE:
3.00MM PC-TAIL = V1
4.50MM PC-TAIL = V2

TOTAL No. OF CONTACTS:
06, 10, 12, 16, 20, 26, 34, 50

LATCHES:
NO LATCHES = L0
1.6mm LATCHES = L1
2.4mm LATCHES = L2

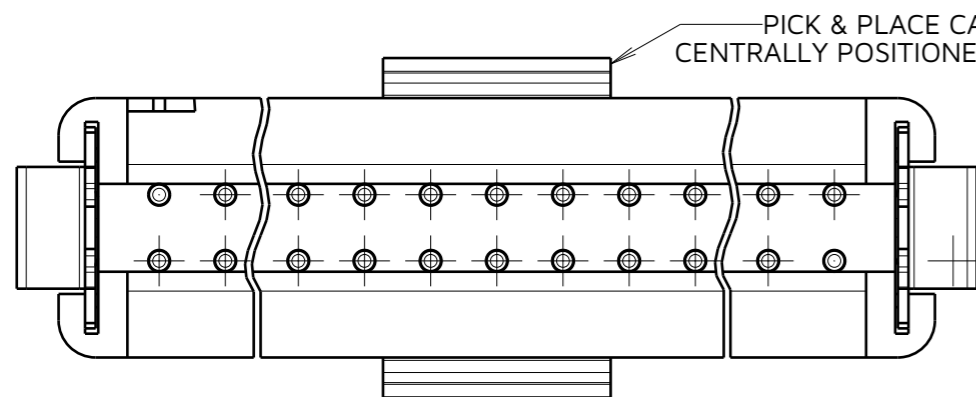
| CONTACT STYLE | DIM 'A' | LATCH STYLE | DIM 'B' |
|---------------|---------|-------------|----------|
| V1 | 3.00 | L0 | NO LATCH |
| | | L1 | 1.70 |
| V2 | 4.50 | L0 | NO LATCH |
| | | L2 | 2.50 |

CONNECTOR DETAILS AND PCB LAYOUT ONLY.
SEE SHEET 5 FOR TAPE AND REEL DETAILS.

NOTES:

- FOR COMPLETE SPECIFICATION, SEE COMPONENT SPECIFICATION C125XX (LATEST ISSUE).
- LATCHES SHOWN FOR ILLUSTRATION ONLY. WHEN "L0" IS SPECIFIED IN ORDER CODE NO LATCHES WILL BE FITTED/SUPPLIED.
- SLOTS NOT REQUIRED WHEN "L0" IS SPECIFIED IN ORDER CODE.
- PICK AND PLACE CAP LENGTH = 4.3mm ON ALL PART NUMBERS EXCEPT G125-MVX0605LXR ON THIS PART LENGTH = 3.3mm.

PICK & PLACE CAP
CENTRALLY POSITIONED ±0.50



| | | | |
|----------------------|------|----------|-------|
| RTP | 5 | 27.04.23 | 32488 |
| NAME | ISS. | DATE | CN/CO |
| APPROVED: R.PORTLOCK | | | |
| CHECKED: A.BOXALL | | | |
| DRAWN: S.FLOWER | | | |
| ASSEMBLY DRG: | | | |

HARWIN

www.harwin.com

TOLERANCES
X = ±1mm
X.X = ±0.50mm
X.XX = ±0.20mm
X.XXX = ±0.01mm
ANGLES = ±5°
UNLESS STATED

THIS DRAWING AND ANY INFORMATION OR DESCRIPTIVE MATTER SET OUT HEREON ARE CONFIDENTIAL AND COPYRIGHT PROPERTY OF THE HARWIN GROUP AND MUST NOT BE DISCLOSED, LOANED, COPIED OR USED FOR MANUFACTURING, TENDERING OR FOR ANY OTHER PURPOSE WITHOUT THEIR WRITTEN PERMISSION.

MATERIAL:
SEE NOTE 1

TITLE: 1.25mm GECKO MALE
VERTICAL THROUGH BOARD
CONNECTORS IN TAPE & REEL

DRAWING NUMBER:
G125-MVXXX05LXR

SHT
4 OF
5

Customer Information Sheet

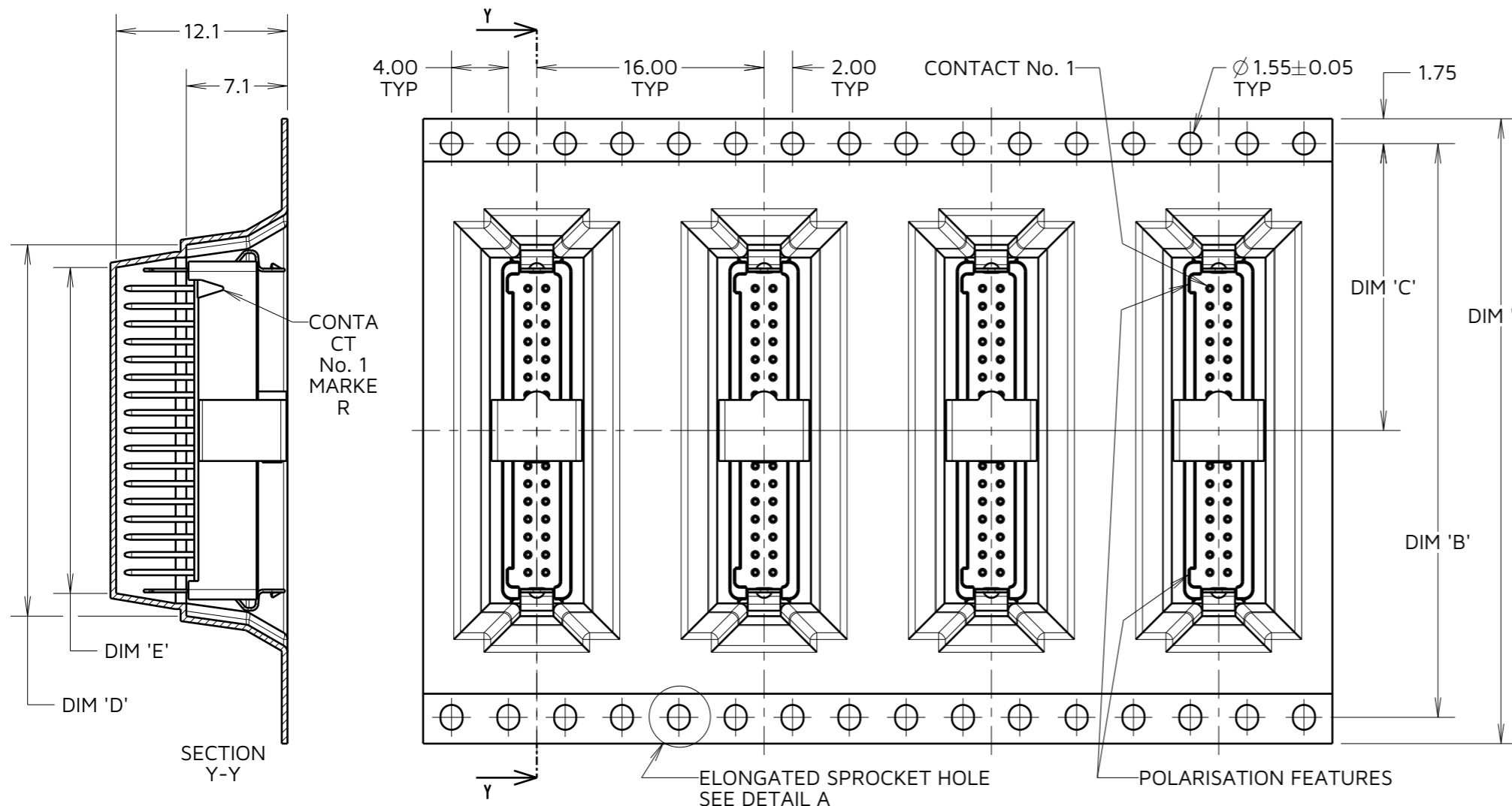
IF IN DOUBT - ASK

©

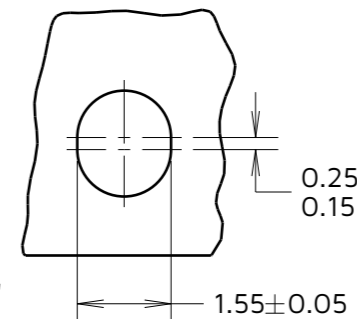
NOT TO SCALE

THIRD ANGLE PROJECTION

ALL DIMENSIONS IN mm



DETAIL A
SCALE 8
SEE NOTE 7



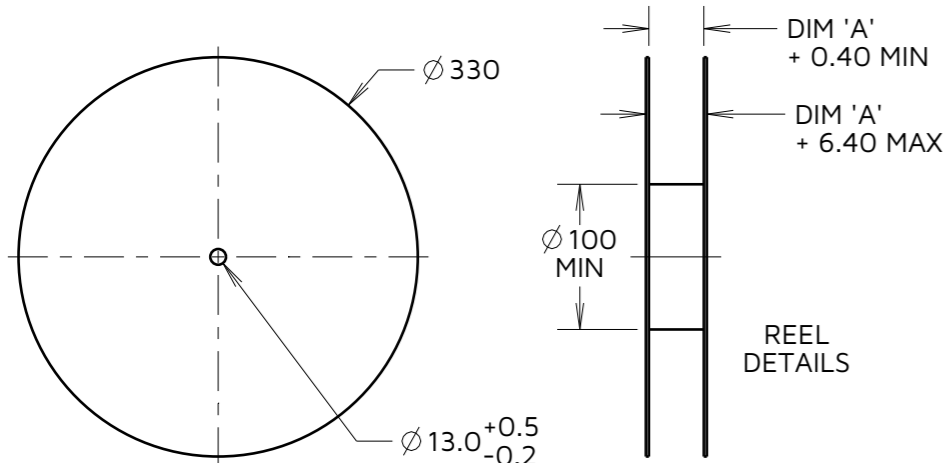
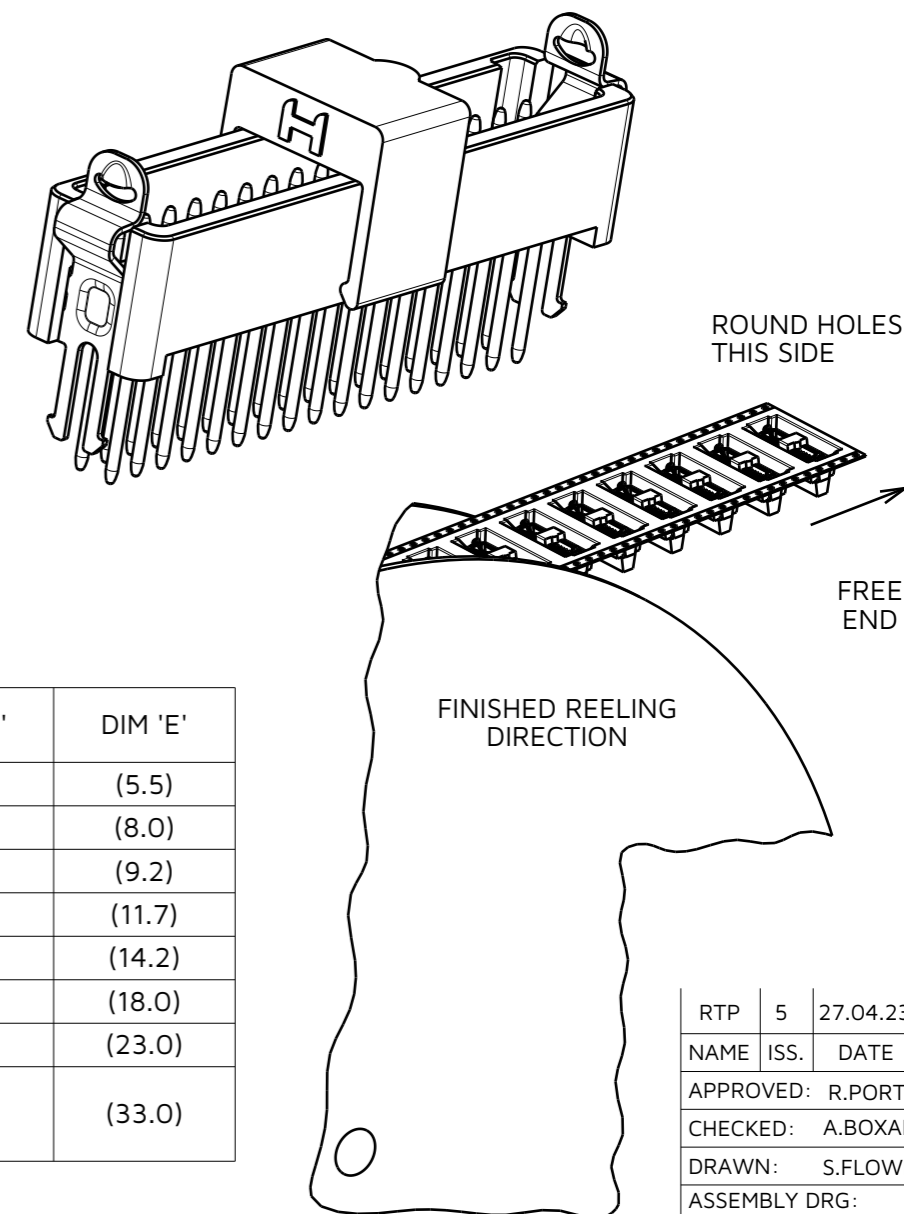
ORDER CODE:

G125-MVXXX05LXR

CONTACT STYLE:
3.00MM PC-TAIL = V1
4.50MM PC-TAIL = V2

TOTAL No. OF CONTACTS:
06, 10, 12, 16, 20, 26, 34, 50

LATCHES:
NO LATCHES = L0
1.6mm LATCHES = L1
2.4mm LATCHES = L2



| PART No. | DIM 'A' | DIM 'B' | DIM 'C' | DIM 'D' | DIM 'E' |
|-----------------|----------|-------------------|-----------|---------|---------|
| G125-MVX0605LXR | 24.0±0.3 | NO ELONGATED HOLE | 11.50 | (8.7) | (5.5) |
| G125-MVX1005LXR | | | | (11.2) | (8.0) |
| G125-MVX1205LXR | 32.0±0.3 | 28.40 | 14.20 | (12.4) | (9.2) |
| G125-MVX1605LXR | | | | (14.9) | (11.7) |
| G125-MVX2005LXR | 44.0±0.3 | 40.40 | 20.2±0.15 | (17.4) | (14.2) |
| G125-MVX2605LXR | | | | (21.2) | (18.0) |
| G125-MVX3405LXR | | | | (26.2) | (23.0) |
| G125-MVX5005LXR | 56.0±0.3 | 52.40 | 26.2±0.15 | (36.2) | (33.0) |

- NOTES:
1. QUANTITY OF COMPONENTS PER REEL = 250.
 2. FOR OTHER QUANTITIES SEE G125-MVXXX05LXP.
 3. THIS PRODUCT IS TAPED AND REELED IN ACCORDANCE WITH EIA-481-2-A (ELECTRONIC INDUSTRIES ASSOCIATION).
 4. FOR COMPLETE SPECIFICATION, SEE COMPONENT SPECIFICATION C125XX (LATEST ISSUE).
 5. COMPONENTS ARE ORIENTATED IN TAPE POCKETS SO THAT THE POLARISING FEATURES ARE FACING AWAY FROM THE FREE END.
 6. LATCHES SHOWN FOR ILLUSTRATION ONLY. WHEN "L0" IS SPECIFIED IN ORDER CODE NO LATCHES WILL BE FITTED/SUPPLIED.
 7. ELONGATED SPROCKET HOLE NOT PRESENT ON 06 & 10 POSITIONS.

HARWIN

www.harwin.com

TOLERANCES
X. = ±1mm
X.X = ±0.50mm
X.XX = ±0.20mm
X.XXX = ±0.01mm
ANGLES = ±5°
UNLESS STATED

THIS DRAWING AND ANY INFORMATION OR DESCRIPTIVE MATTER SET OUT HEREON ARE CONFIDENTIAL AND COPYRIGHT PROPERTY OF THE HARWIN GROUP AND MUST NOT BE DISCLOSED, LOANED, COPIED OR USED FOR MANUFACTURING, TENDERING OR FOR ANY OTHER PURPOSE WITHOUT THEIR WRITTEN PERMISSION.

MATERIAL:
SEE SHEET 4

TITLE: 1.25mm GECKO MALE VERTICAL THROUGH BOARD CONNECTORS IN TAPE & REEL

DRAWING NUMBER:
G125-MVXXX05LXR

| | | | |
|----------------------|------|----------|-------|
| RTP | 5 | 27.04.23 | 32488 |
| NAME | ISS. | DATE | CN/CO |
| APPROVED: R.PORTLOCK | | | |
| CHECKED: A.BOXALL | | | |
| DRAWN: S.FLOWER | | | |
| ASSEMBLY DRG: | | | |

SHT
5 OF 5

Mouser Electronics

Authorized Distributor

Click to View Pricing, Inventory, Delivery & Lifecycle Information:

Harwin:

[G125-MV10605L1R](#) [G125-MV11005L0R](#) [G125-MV11005L1R](#) [G125-MV11205L0R](#) [G125-MV11205L1R](#) [G125-MV11605L0R](#) [G125-MV11605L1R](#) [G125-MV12005L0R](#) [G125-MV12005L1R](#) [G125-MV12605L0R](#) [G125-MV12605L1R](#) [G125-MV13405L0R](#) [G125-MV13405L1R](#) [G125-MV15005L0R](#) [G125-MV15005L1R](#) [G125-MV20605L0R](#) [G125-MV20605L2R](#) [G125-MV21005L0R](#) [G125-MV21005L2R](#) [G125-MV21205L0R](#) [G125-MV21205L2R](#) [G125-MV21605L0R](#) [G125-MV21605L2R](#) [G125-MV22005L0R](#) [G125-MV22005L2R](#) [G125-MV22605L0R](#) [G125-MV22605L2R](#) [G125-MV23405L0R](#) [G125-MV23405L2R](#) [G125-MV25005L0R](#) [G125-MV25005L2R](#) [G125-MV10605L0R](#)