

# Customer Information Sheet

DRAWING No.: G125-MH1XX05M4P

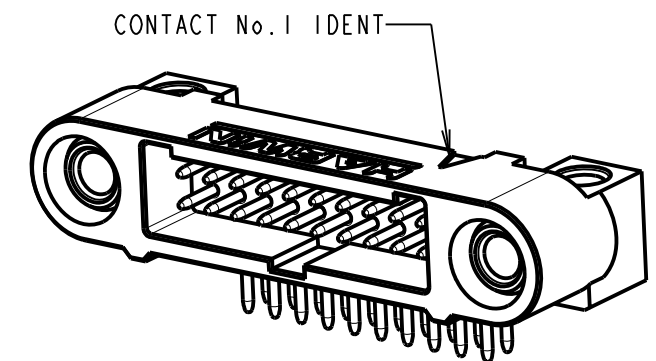
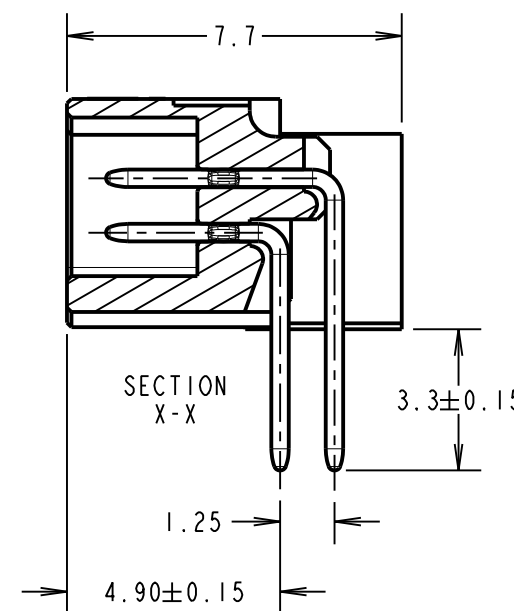
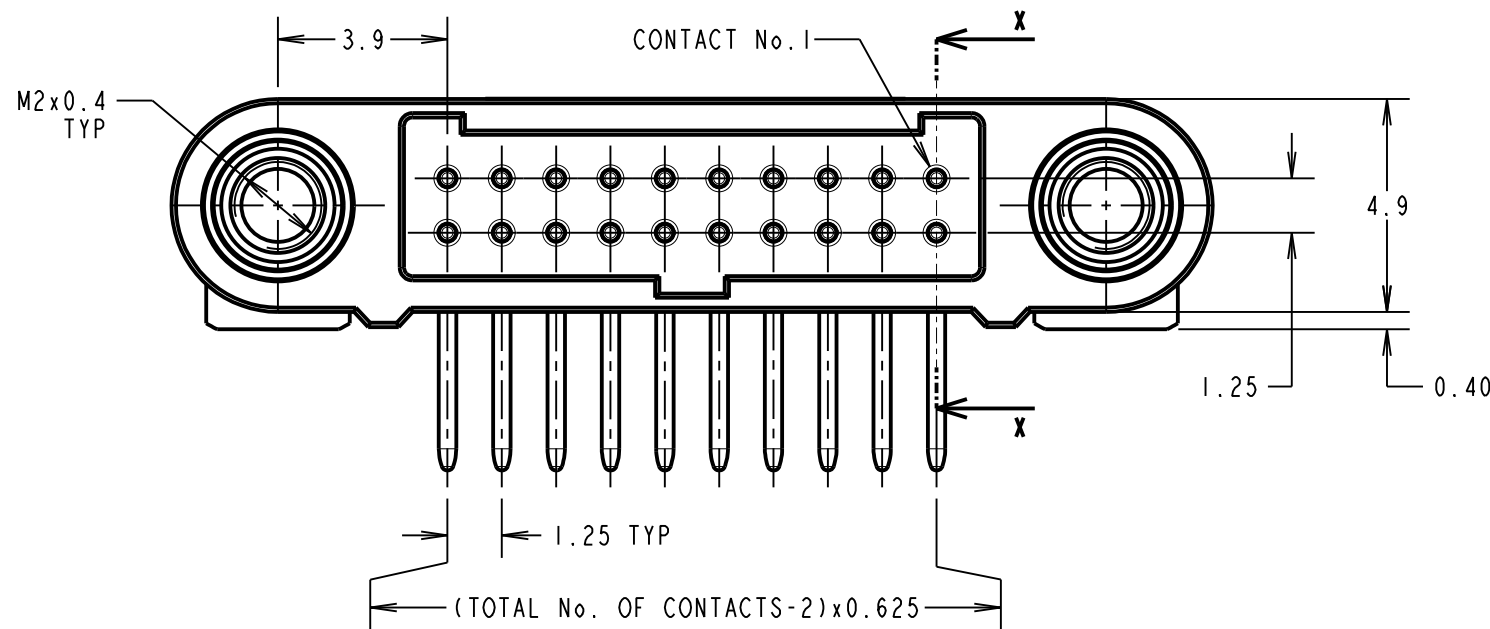
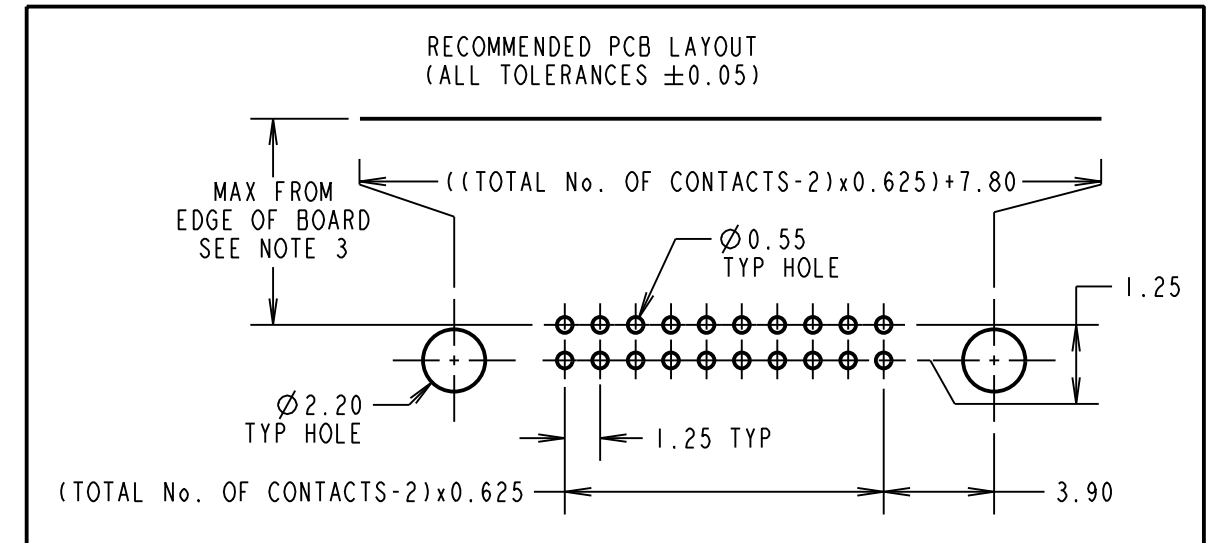
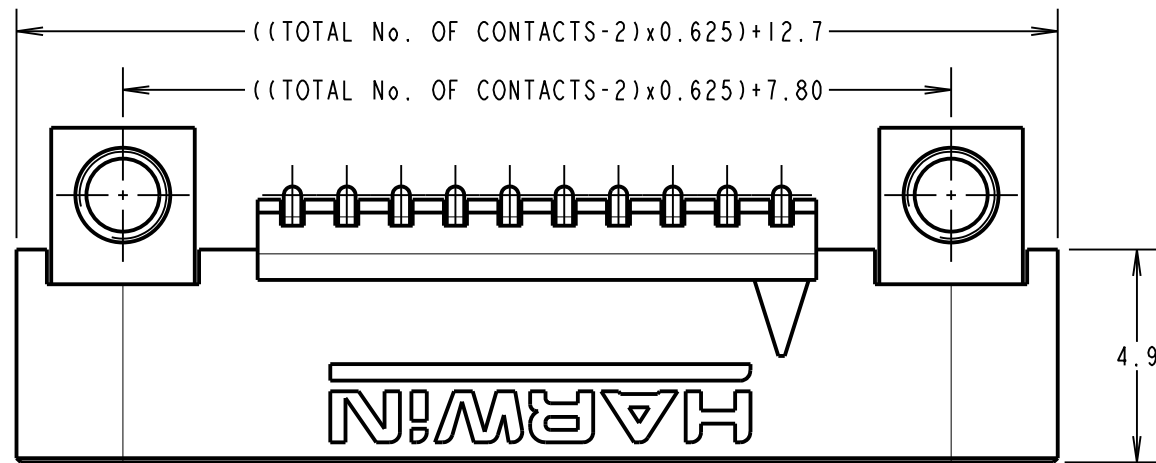
IF IN DOUBT - ASK

©

NOT TO SCALE

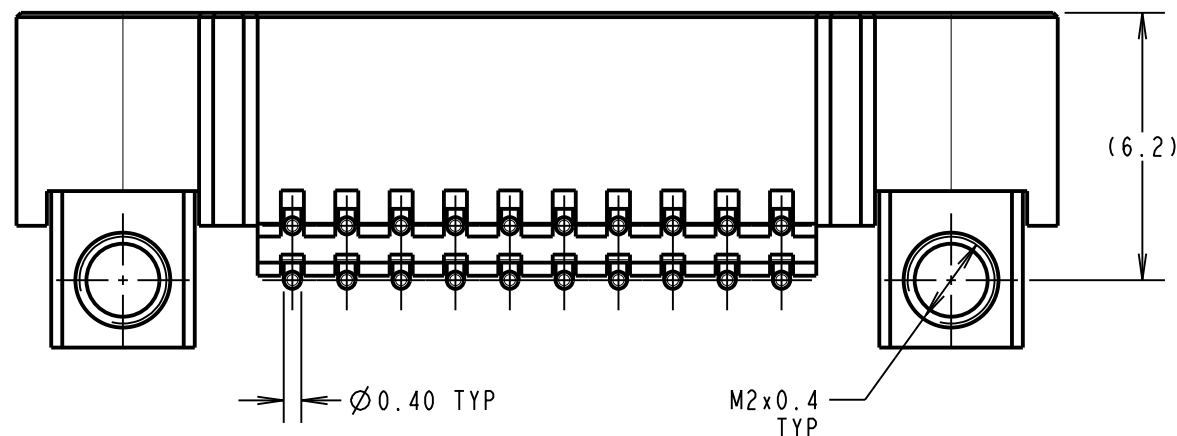
THIRD ANGLE PROJECTION

ALL DIMENSIONS IN mm



PRODUCT CODE:  
**G125-MH1XX05M4P**

TOTAL No. OF CONTACTS \_\_\_\_\_  
06, 10, 12, 16, 20, 26, 34 & 50.



CONNECTOR AND PCB LAYOUT DETAILS ONLY.  
SEE SHEET 4 FOR TAPE STRIP DETAILS.

NOTES:

- FOR MATERIALS, FINISH AND SPECIFICATION SEE GECKO SERIES CONNECTORS SPECIFICATION SUMMARY SHEET OR COMPONENT SPECIFICATION C125XX (LATEST ISSUE) FOR FULL SPECIFICATION.
- DRAWING SHOWS CONNECTOR WITH 20 CONTACTS.
- MAX DISTANCE OF NEARSIDE CONTACTS TO BOARD EDGE WHEN MATED WITH:  
-UNSHIELDED CABLE: 4.90mm  
-SHIELDED CABLE : 2.75mm
- A RANGE OF SUITABLE M2 BOARD MOUNT SCREWS ARE AVAILABLE SEPARATELY. VISIT HARWIN.COM FOR DETAILS.

RA	2	22.10.21	30973
NAME	ISS.	DATE	CN/CO
APPROVED:		R.ALEXANDER	
CHECKED:		R.PORTLOCK	
DRAWN:		R.PORTLOCK	
CUSTOMER REF.:			
ASSEMBLY DRG:			



**HARWIN**

www.harwin.com  
technical@harwin.com

THIS DRAWING AND ANY INFORMATION OR DESCRIPTIVE MATTER SET OUT HEREON ARE CONFIDENTIAL AND COPYRIGHT PROPERTY OF THE HARWIN GROUP AND MUST NOT BE DISCLOSED, LOANED, COPIED OR USED FOR MANUFACTURING, TENDERING OR FOR ANY OTHER PURPOSE WITHOUT THEIR WRITTEN PERMISSION.

TOLERANCES

X. =  $\pm 1$ mm  
X.X =  $\pm 0.50$ mm  
X.XX =  $\pm 0.20$ mm  
X.XXX =  $\pm 0.01$ mm  
ANGLES =  $\pm 5^\circ$   
UNLESS STATED

MATERIAL:

SEE ABOVE

FINISH:

SEE ABOVE

S/AREA:

mm<sup>2</sup>

TITLE: GECKO-SL HORIZONTAL THROUGHBOARD MALE CONNECTOR ASSEMBLY IN TAPE

DRAWING NUMBER:

**G125-MH1XX05M4P**

SHT  
3 OF 4

# Customer Information Sheet

DRAWING No.: G125-MH1XX05M4P

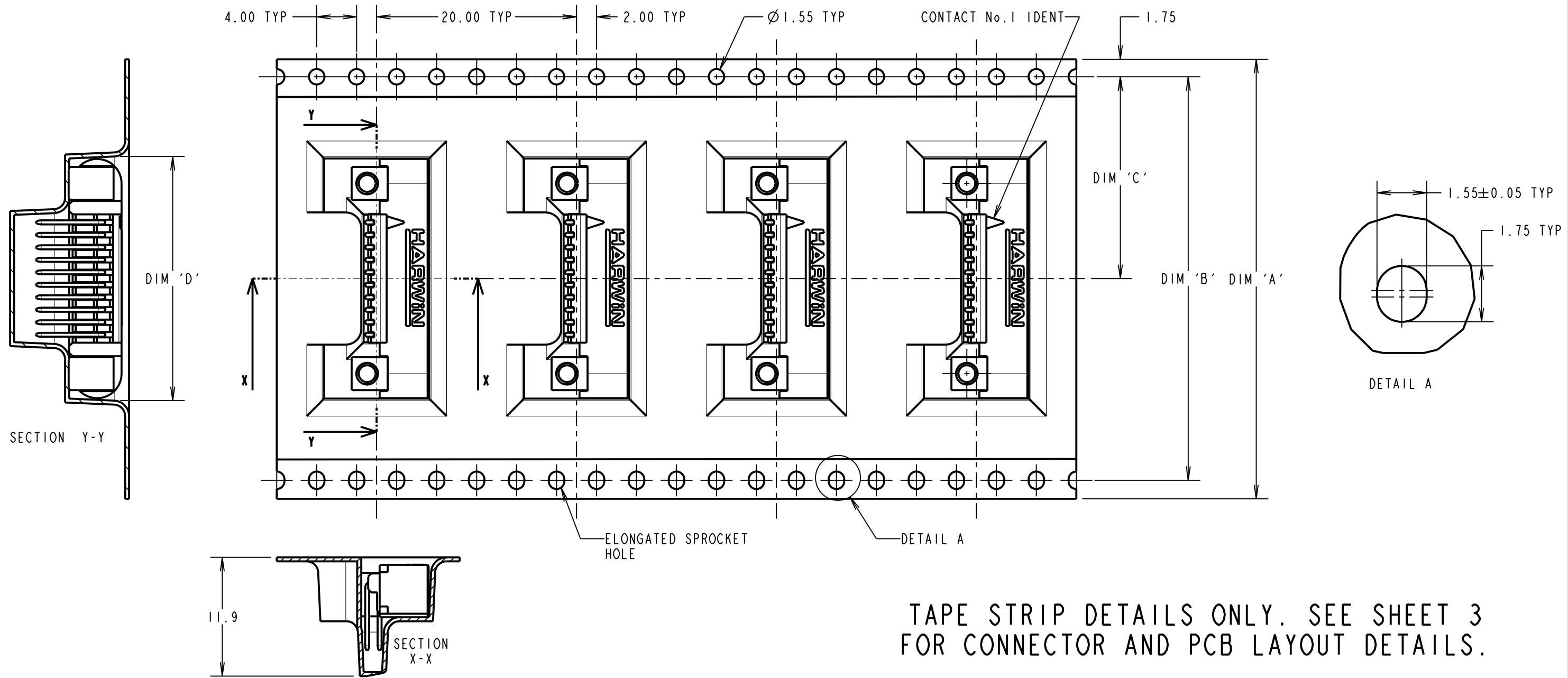
IF IN DOUBT - ASK

©

NOT TO SCALE

THIRD ANGLE PROJECTION

ALL DIMENSIONS IN mm



TAPE STRIP DETAILS ONLY. SEE SHEET 3 FOR CONNECTOR AND PCB LAYOUT DETAILS.



PRODUCT CODE:  
**G125-MH1XX05M4P**  
TOTAL No. OF CONTACTS: 06, 10, 12, 16, 20, 26, 34 & 50.

PART No.	DIM 'A'	DIM 'B'	DIM 'C'	DIM 'D'
G125-MH10605M4P				15.30±0.15
G125-MH11005M4P	32.0±0.3	28.40	14.20	17.80±0.15
G125-MH11205M4P				19.05±0.15
G125-MH11605M4P				21.55±0.15
G125-MH12005M4P	44.0±0.3	40.40	20.20±0.15	24.05±0.15
G125-MH12605M4P				27.80±0.15
G125-MH13405M4P				32.80±0.15
G125-MH15005M4P	56.0±0.3	52.40	26.20±0.15	42.80±0.15

RA	2	22.10.21	30973
NAME	ISS.	DATE	CN/CO
APPROVED:		R.ALEXANDER	
CHECKED:		R.PORTLOCK	
DRAWN:		R.PORTLOCK	
CUSTOMER REF.:			
ASSEMBLY DRG:			

- NOTES CONT.:
- COMPONENTS ARE ORIENTED IN TAPE POCKETS AS SHOWN.
  - COMPONENTS ARE SUPPLIED IN STRIPS OF TAPE. SUPPLIED QUANTITY MAY CONSIST OF MORE THAN ONE STRIP. STRIP LENGTH MAY VARY.
  - LARGE QUANTITIES MAY BE SHIPPED ON A REEL AND MAY NOT HAVE A LEADER.

**HARWIN**

www.harwin.com  
technical@harwin.com

THIS DRAWING AND ANY INFORMATION OR DESCRIPTIVE MATTER SET OUT HEREON ARE CONFIDENTIAL AND COPYRIGHT PROPERTY OF THE HARWIN GROUP AND MUST NOT BE DISCLOSED, LOANED, COPIED OR USED FOR MANUFACTURING, TENDERING OR FOR ANY OTHER PURPOSE WITHOUT THEIR WRITTEN PERMISSION.

TOLERANCES  
X. = ±1mm  
X.X = ±0.50mm  
X.XX = ±0.20mm  
X.XXX = ±0.01mm  
ANGLES = ±5°  
UNLESS STATED

MATERIAL:  
SEE SHEET 3  
FINISH: SEE SHEET 3  
S/AREA: mm<sup>2</sup>

TITLE: GECKO-SL HORIZONTAL THROUGHBOARD MALE CONNECTOR ASSEMBLY IN TAPE

DRAWING NUMBER:  
**G125-MH1XX05M4P**

SHT 4 OF 4

# Mouser Electronics

Authorized Distributor

Click to View Pricing, Inventory, Delivery & Lifecycle Information:

[Harwin:](#)

[G125-MH12005M4P](#)