

Customer Information Sheet

IF IN DOUBT - ASK



NOT TO SCALE

THIRD ANGLE PROJECTION

ALL DIMENSIONS IN mm

TABLE 1: CONFIGURATIONS & BILL OF MATERIALS

ORDER CODE CONFIGURATIONS								BOM ITEM No.		
								1	2	3
G125-XXXXXXXX-XXXXL								CONNECTOR (SEE ORDER CODE FOR TOTAL No. OF CONTACTS)	PTFE WIRE (SEE C049XX FOR SPEC.)	CONNECTOR CONTACT (SEE ORDER CODE FOR QTY.)
G125	-	1 2	XX	05 68	-	XXXX	L	G125-224XX9600 G125-224XX96F1 G125-224XX96F2 G125-224XX96F3 G125-224XX96F5	STANDARD WHITE WIRE	FEMALE SIGNAL
								G125-324XX9600 G125-324XX96M1 G125-324XX96M2 G125-324XX96M3 G125-324XX96M5	MULTI-COLOURED SEE TABLE 2	MALE SIGNAL

CONTACT No.	WIRE COLOUR
1	BLACK
2	BROWN
3	RED
4	ORANGE
5	YELLOW
6	GREEN
7	BLUE
8	VIOLET
9	GREY
10	WHITE

WIRE COLOURS REPEAT IN ABOVE ORDER FOR CONNECTOR ASSEMBLIES OVER 10 CONTACTS

ORDER CODE:

G125-XXXXXXXX-XXXXL

CONNECTOR:
F = FEMALE
M = MALE

WIRING STYLE:
C = STANDARD WIRE
D = TWISTED PAIR

WIRE GAUGE:
1 = 26AWG
2 = 28AWG

TOTAL No. OF CONTACTS:
06, 10, 12, 16,
20, 26, 34, 50

DIM 'A' LENGTH:
0060 = 60mm MIN
9999 = 9999mm MAX

CONNECTOR FIXING STYLE:
FO/F1/F2/F3/F5
MO/M1/M2/M3/M5

WIRING:
05 = WHITE
68 = MULTI-COLOURED

NOTES:

- FOR COMPLETE SPECIFICATION, INCLUDING WIRE TYPE AND GAUGE SEE COMPONENT SPECIFICATIONS C125XX & C049XX (LATEST ISSUES).
- FOR POTTING COMPOUND AND WIRE TYPE SEE C049XX COMPONENT SPECIFICATION.
- SEE SHEET 7 FOR ASSEMBLIES WITH STANDARD WIRING CONFIGURATIONS.
- SEE SHEET 8 FOR ASSEMBLIES WITH TWISTED PAIR WIRING CONFIGURATIONS.
- SEE SHEET 9 FOR HARDWARE FIXING INFORMATION.
- FOR ALL HOUSING DIMENSIONS, SEE RESPECTIVE DRAWINGS FOR BOM ITEM 1.
- CABLE ASSEMBLIES ARE BULK PACKED IN BAGS.
- CUSTOM LENGTH CABLE ASSEMBLIES CAN BE PRODUCED FROM 60mm TO 9999mm.

RTP	1	31.05.23	32231
NAME	ISS.	DATE	CN/CO
APPROVED:		A.BOXALL	
CHECKED:		M.RUDKIN	
DRAWN:		R.PORTLOCK	
ASSEMBLY DRG:			



www.harwin.com

TOLERANCES
X. = ±1mm
X.X = ±0.50mm
X.XX = ±0.20mm
X.XXX = ±0.01mm
ANGLES = ±5°
UNLESS STATED

THIS DRAWING AND ANY INFORMATION OR DESCRIPTIVE MATTER SET OUT HEREON ARE CONFIDENTIAL AND COPYRIGHT PROPERTY OF THE HARWIN GROUP AND MUST NOT BE DISCLOSED, LOANED, COPIED OR USED FOR MANUFACTURING, TENDERING OR FOR ANY OTHER PURPOSE WITHOUT THEIR WRITTEN PERMISSION.

MATERIAL:
SEE ABOVE

TITLE:
GECKO SL
CABLE ASSEMBLY

DRAWING NUMBER:
G125-XXXXXXXX-XXXXL

SHT
6 OF 9

Customer Information Sheet

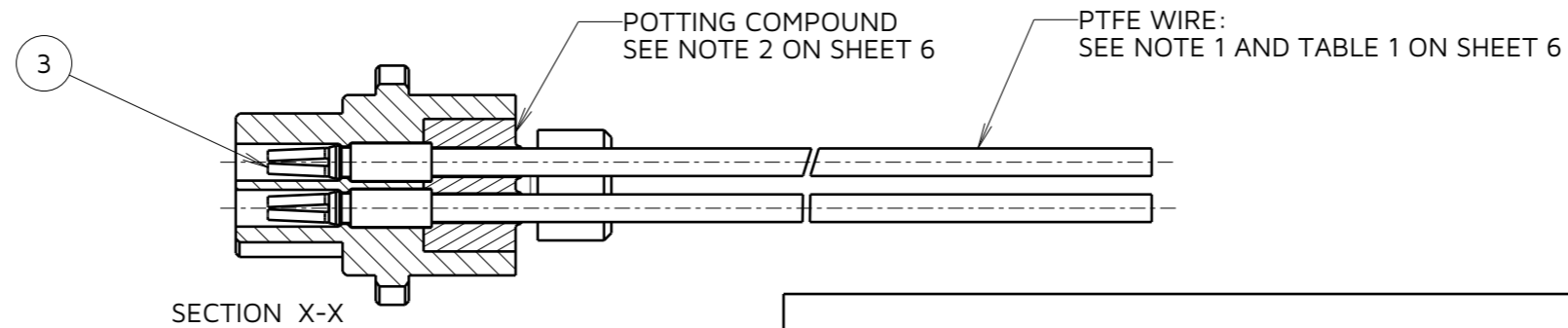
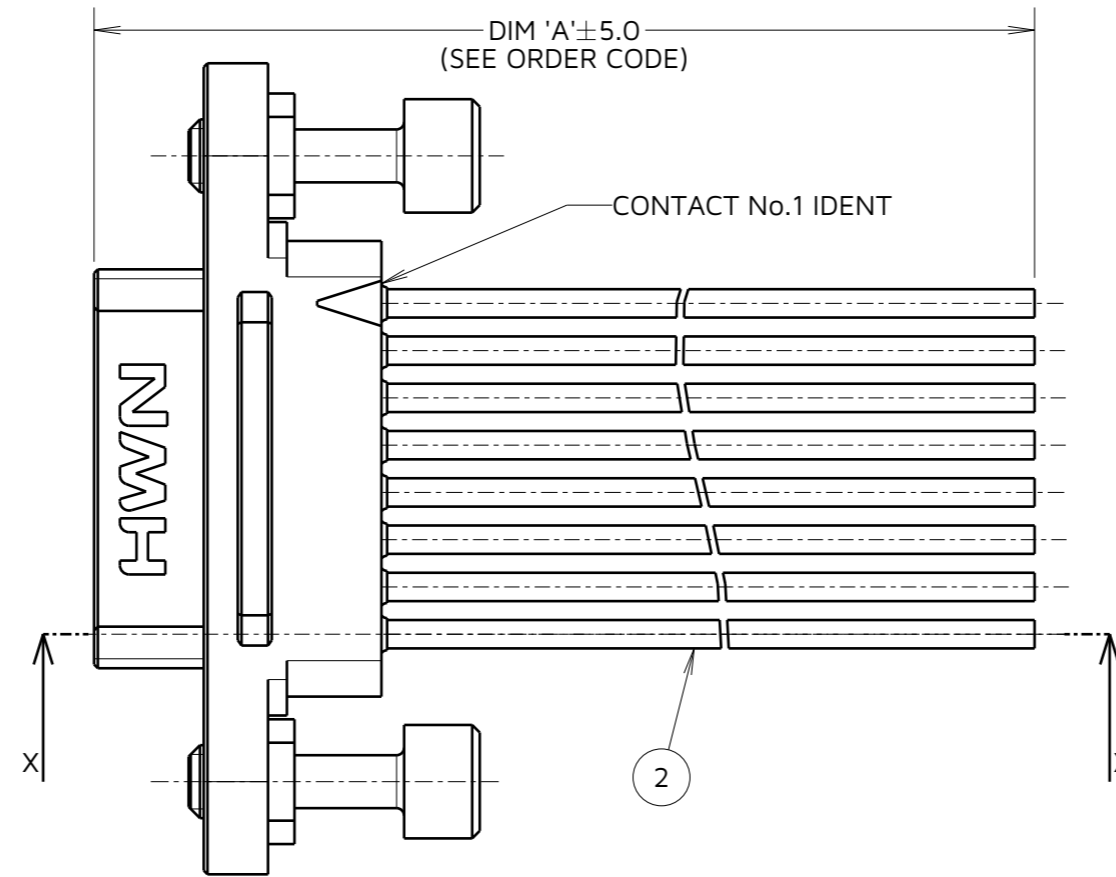
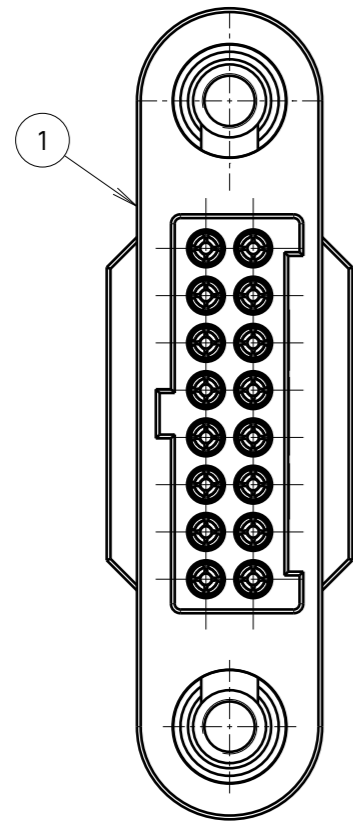
IF IN DOUBT - ASK

©

NOT TO SCALE

THIRD ANGLE PROJECTION

ALL DIMENSIONS IN mm



EXAMPLE SHOWN: FEMALE
STANDARD WIRING
G125-FC11605F1-0150L

ORDER CODE:

G125-XXXXXXXXXX-XXXXL

CONNECTOR:

F = FEMALE
M = MALE

WIRING STYLE:

C = STANDARD WIRE
D = TWISTED PAIR

WIRE GAUGE:

1 = 26AWG
2 = 28AWG

TOTAL No. OF CONTACTS:

06, 10, 12, 16,
20, 26, 34, 50

DIM 'A' LENGTH:
0060 = 60mm MIN
9999 = 9999mm MAX

CONNECTOR FIXING STYLE:
FO/F1/F2/F3/F5
M0/M1/M2/M3/M5

WIRING:
05 = WHITE
68 = MULTI-COLOURED

RTP	1	31.05.23	32231
NAME	ISS.	DATE	CN/CO
APPROVED:		A.BOXALL	
CHECKED:		M.RUDKIN	
DRAWN:		R.PORTLOCK	
ASSEMBLY DRG:			

NOTES:

- FOR POSSIBLE COMBINATIONS, SEE BOM TABLE ON SHEET 6.
- ASSEMBLY G125-FC11605F1-0150L SHOWN FOR ILLUSTRATIVE PURPOSES ONLY. SEE ORDER CODE FOR PART NUMBER.

HARWIN

www.harwin.com

TOLERANCES

X. = ±1mm
X.X = ±0.50mm
X.XX = ±0.20mm
X.XXX = ±0.01mm
ANGLES = ±5°
UNLESS STATED

THIS DRAWING AND ANY INFORMATION OR DESCRIPTIVE MATTER SET OUT HEREON ARE CONFIDENTIAL AND COPYRIGHT PROPERTY OF THE HARWIN GROUP AND MUST NOT BE DISCLOSED, LOANED, COPIED OR USED FOR MANUFACTURING, TENDERING OR FOR ANY OTHER PURPOSE WITHOUT THEIR WRITTEN PERMISSION.

MATERIAL:

SEE SHEET 6

TITLE:

**GECKO SL
CABLE ASSEMBLY**

DRAWING NUMBER:

G125-XXXXXXXXXX-XXXXL

SHT
7
OF
9

Customer Information Sheet

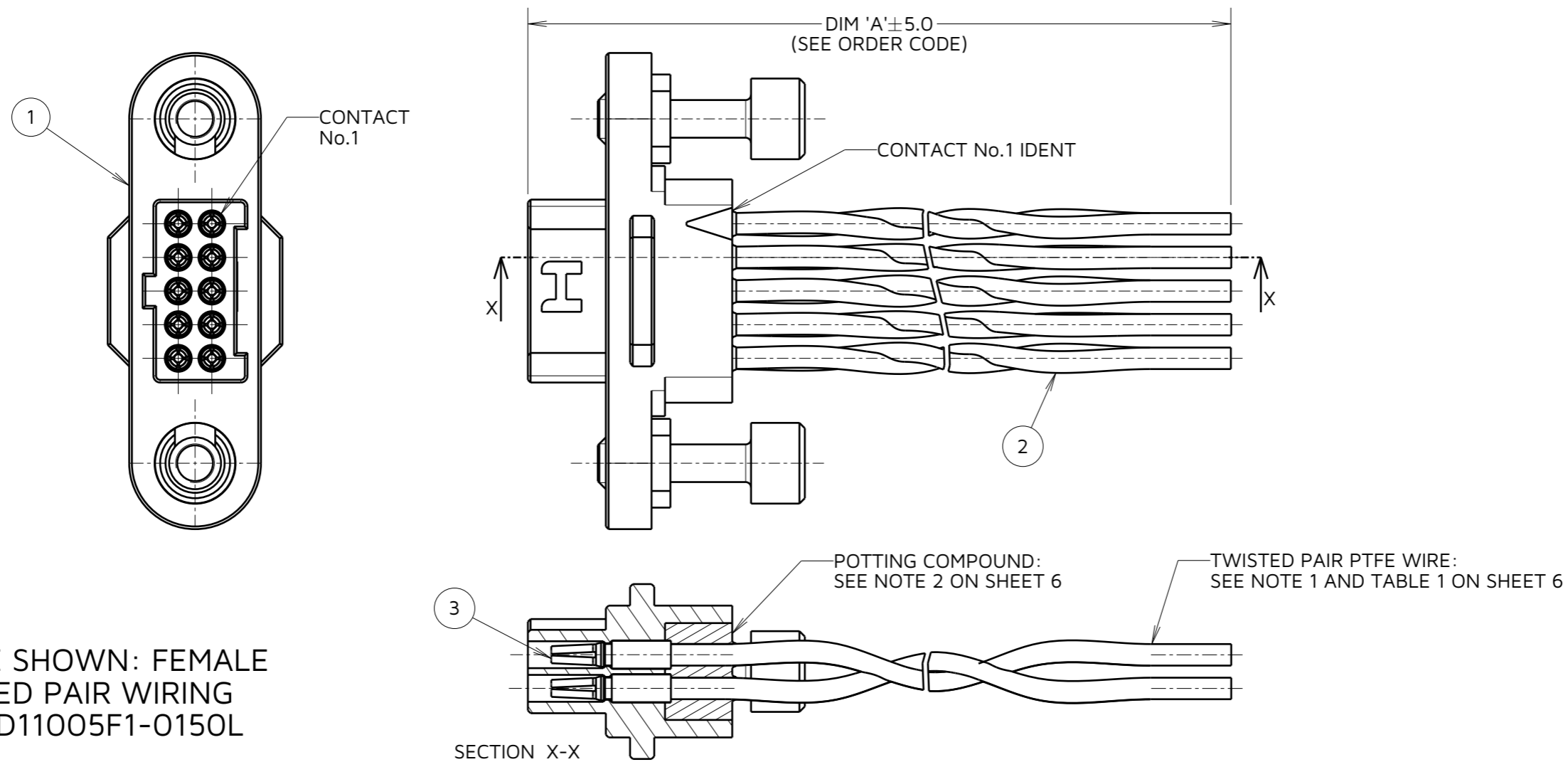
IF IN DOUBT - ASK

©

NOT TO SCALE

THIRD ANGLE PROJECTION

ALL DIMENSIONS IN mm



EXAMPLE SHOWN: FEMALE
TWISTED PAIR WIRING
G125-FD11005F1-0150L

TABLE 3: TWISTED PAIR CABLE CONFIGURATIONS			
WIRING FOR EXAMPLE PART No. G125-FD10805F1-0150L			
TWISTED PAIR No.	CONNECTOR PIN No.	TURNS PER INCH	WIRE COLOUR
1	1	3	WHITE & GREEN
	5		
2	2	2	WHITE & RED
	6		
3	3	3	WHITE & GREEN
	7		
4	4	2	WHITE & RED
	8		

- NOTES:
- FOR POSSIBLE COMBINATIONS, SEE BOM TABLE ON SHEET 6.
 - ASSEMBLY G125-FC11005F1-0150L SHOWN FOR ILLUSTRATIVE PURPOSES ONLY. SEE ORDER CODE FOR PART NUMBER.
 - WIRE COLOUR IS CONSTRAINED BY TWISTED PAIRS. SEE TABLE 3 FOR COLOUR.

ORDER CODE:

G125-XXXXXXXXXX-XXXXL

CONNECTOR: _____ DIM 'A' LENGTH:
 F = FEMALE 0060 = 60mm MIN
 M = MALE 9999 = 9999mm MAX

WIRING STYLE: _____ CONNECTOR FIXING STYLE:
 C = STANDARD WIRE FO/F1/F2/F3/F5
 D = TWISTED PAIR M0/M1/M2/M3/M5

WIRE GAUGE: _____ WIRING:
 1 = 26AWG 05 = WHITE
 2 = 28AWG 68 = MULTI-COLOURED

TOTAL No. OF CONTACTS: _____
 06, 10, 12, 16,
 20, 26, 34, 50

FOR CONNECTORS WITH MORE THAN 8 SIGNAL CONTACTS,
CONTINUE TWIST & CABLE PIN OUT CONVENTION IN THE
SAME PATTERN.
(I.E. TWISTED PAIR BETWEEN CONTACT X & CONTACT X)

SEE BILL OF MATERIALS TABLE ON SHEET 6 FOR
TWISTED PAIR PART NUMBERS.

RTP	1	31.05.23	32231
NAME	ISS.	DATE	CN/CO
APPROVED:		A.BOXALL	
CHECKED:		M.RUDKIN	
DRAWN:		R.PORTLOCK	
ASSEMBLY DRG:			

HARWIN

www.harwin.com

TOLERANCES
 X. = ±1mm
 X.X = ±0.50mm
 X.XX = ±0.20mm
 X.XXX = ±0.01mm
 ANGLES = ±5°
 UNLESS STATED

THIS DRAWING AND ANY INFORMATION OR DESCRIPTIVE MATTER SET OUT HEREON ARE CONFIDENTIAL AND COPYRIGHT PROPERTY OF THE HARWIN GROUP AND MUST NOT BE DISCLOSED, LOANED, COPIED OR USED FOR MANUFACTURING, TENDERING OR FOR ANY OTHER PURPOSE WITHOUT THEIR WRITTEN PERMISSION.

MATERIAL:
 SEE SHEET 6

TITLE:
 GECKO SL
 CABLE ASSEMBLY

DRAWING NUMBER:
 G125-XXXXXXXXXX-XXXXL

SHT
 8
 OF
 9

Customer Information Sheet

IF IN DOUBT - ASK

©

NOT TO SCALE

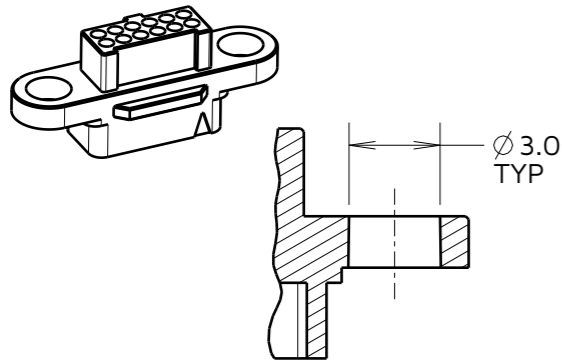
THIRD ANGLE PROJECTION

ALL DIMENSIONS IN mm

FIXING STYLES

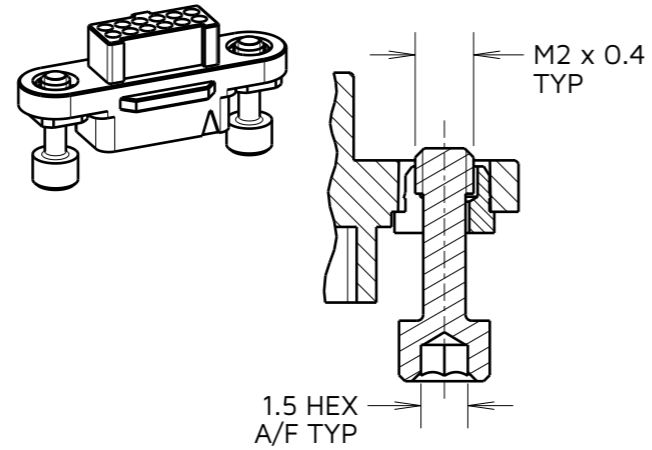
F0

EXAMPLE: G125-224129600



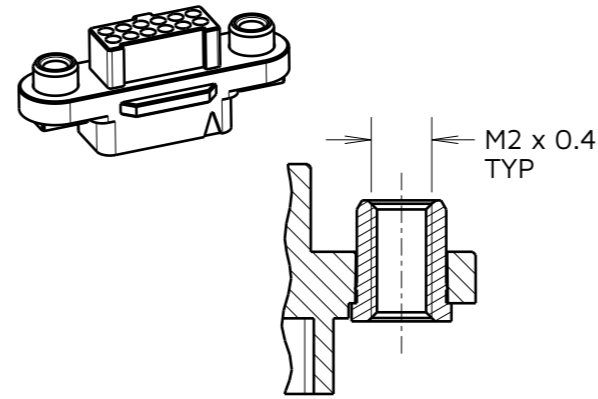
F1

EXAMPLE: G125-2241296F1



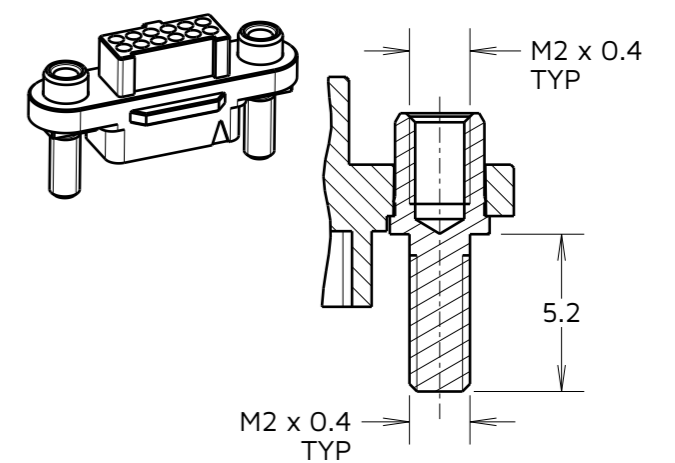
F2

EXAMPLE: G125-2241296F2



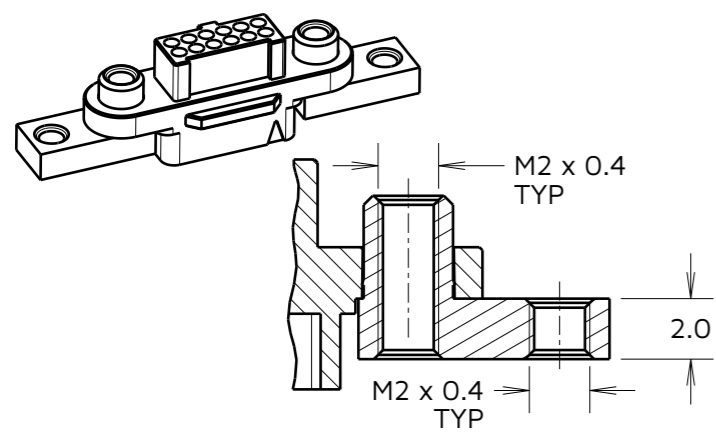
F3

EXAMPLE: G125-2241296F3



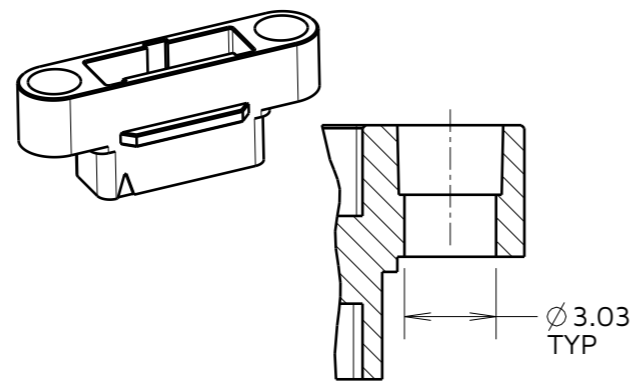
F5

EXAMPLE: G125-2241296F5



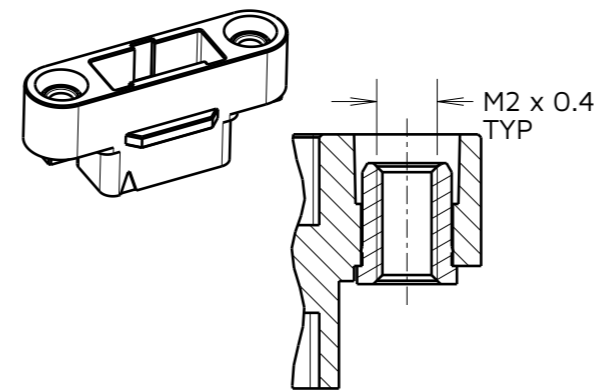
M0

EXAMPLE: G125-324129600



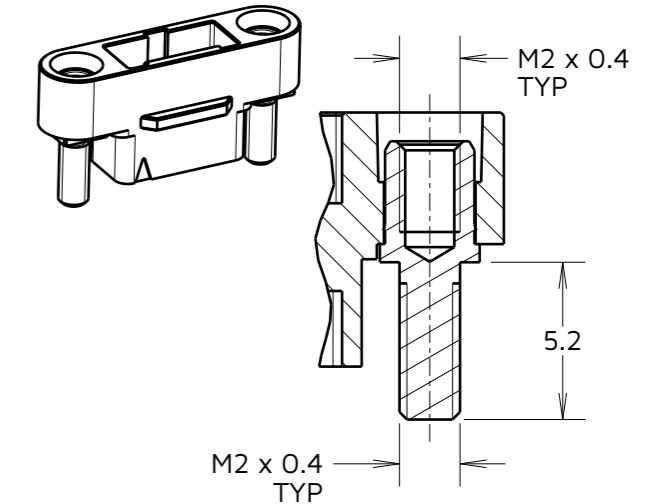
M1

EXAMPLE: G125-3241296M1



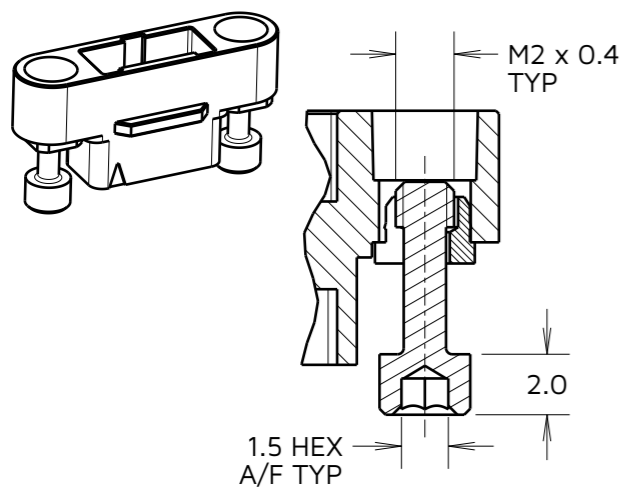
M2

EXAMPLE: G125-3241296M2



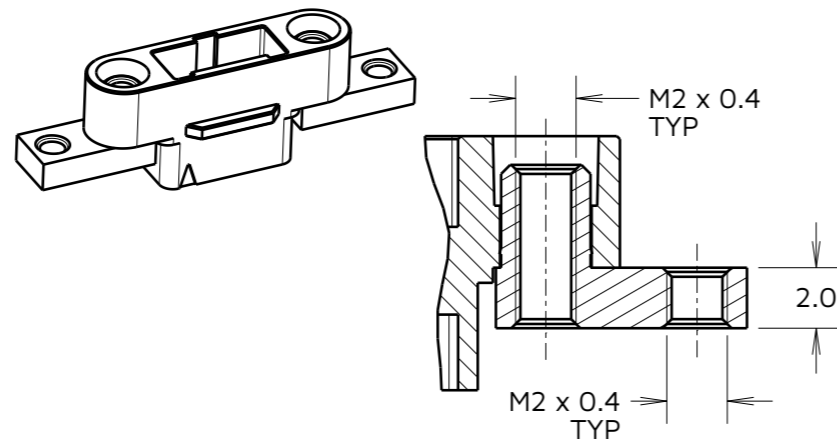
M3

EXAMPLE: G125-3241296M3



M5

EXAMPLE: G125-3241296M5



NOTES:
14. SEE BILL OF MATERIALS TABLE ON SHEET 6 AND ORDER CODE FOR FIXING IDENTIFICATION.

RTP	1	31.05.23	32231
NAME	ISS.	DATE	CN/CO
APPROVED:		A.BOXALL	
CHECKED:		M.RUDKIN	
DRAWN:		R.PORTLOCK	
ASSEMBLY DRG:			

HARWIN

www.harwin.com

TOLERANCES
X. = ±1mm
X.X = ±0.50mm
X.XX = ±0.20mm
X.XXX = ±0.01mm
ANGLES = ±5°
UNLESS STATED

THIS DRAWING AND ANY INFORMATION OR DESCRIPTIVE MATTER SET OUT HEREON ARE CONFIDENTIAL AND COPYRIGHT PROPERTY OF THE HARWIN GROUP AND MUST NOT BE DISCLOSED, LOANED, COPIED OR USED FOR MANUFACTURING, TENDERING OR FOR ANY OTHER PURPOSE WITHOUT THEIR WRITTEN PERMISSION.

MATERIAL:

SEE SHEET 6

TITLE:

GECKO SL
CABLE ASSEMBLY

DRAWING NUMBER:

G125-XXXXXXXX-XXXXL

SHT
9
OF
9

Mouser Electronics

Authorized Distributor

Click to View Pricing, Inventory, Delivery & Lifecycle Information:

[Harwin:](#)

[G125-MC10605M1-0150L](#) [G125-MC10605M1-0450L](#) [G125-MC11005M1-0150L](#) [G125-MC11005M1-0450L](#) [G125-MC11205M1-0150L](#) [G125-MC11205M1-0450L](#) [G125-MC13405M1-0150L](#) [G125-MC13405M1-0450L](#) [G125-MC15005M1-0150L](#) [G125-MC15005M1-0450L](#) [G125-MC11605M1-0150L](#) [G125-MC11605M1-0450L](#) [G125-MC12005M1-0150L](#) [G125-MC12005M1-0450L](#) [G125-MC12605M1-0150L](#) [G125-MC12605M1-0450L](#) [G125-FC10605F1-0150L](#) [G125-FC10605F1-0450L](#) [G125-FC11005F1-0150L](#) [G125-FC11005F1-0450L](#) [G125-FC11205F1-0150L](#) [G125-FC11205F1-0450L](#) [G125-FC13405F1-0150L](#) [G125-FC13405F1-0450L](#) [G125-FC15005F1-0150L](#) [G125-FC15005F1-0450L](#) [G125-FC11605F1-0150L](#) [G125-FC11605F1-0450L](#) [G125-FC12005F1-0150L](#) [G125-FC12005F1-0450L](#) [G125-FC12605F1-0150L](#) [G125-FC12605F1-0450L](#) [G125-FC10605F0-0150L](#) [G125-FC10605F0-0450L](#) [G125-FC11005F0-0150L](#) [G125-FC11005F0-0450L](#) [G125-FC11205F0-0150L](#) [G125-FC11205F0-0450L](#) [G125-FC13405F0-0150L](#) [G125-FC13405F0-0450L](#) [G125-FC15005F0-0150L](#) [G125-FC15005F0-0450L](#) [G125-FC11605F0-0150L](#) [G125-FC11605F0-0450L](#) [G125-FC12005F0-0150L](#) [G125-FC12005F0-0450L](#) [G125-FC12605F0-0150L](#) [G125-FC12605F0-0450L](#) [G125-MC11068M3-0450L](#) [G125-MC12068M3-0450L](#) [G125-MC21205M1-0450L](#) [G125-FC15005F3-0300L](#) [G125-FC11005F1-1500L](#) [G125-MC11005M3-1500L](#) [G125-MC12005M3-1500L](#) [G125-MC12605M3-1500L](#) [G125-MC10668M3-0300L](#) [G125-MC21268M3-0300L](#) [G125-MC15005M3-0450L](#)