

# Customer Information Sheet

IF IN DOUBT - ASK

©

NOT TO SCALE

THIRD ANGLE PROJECTION

ALL DIMENSIONS IN mm

TABLE 1: CONFIGURATIONS & BILL OF MATERIALS

ORDER CODE CONFIGURATIONS										BOM ITEM No.			
										1	2	3	4
G125-XXXXXXXXLX-XXXXL										CONNECTOR 1 (SEE ORDER CODE FOR TOTAL No. OF CONTACTS)	PTFE WIRE (SEE C049XX OR USE PART NUMBERS BELOW)	CONNECTOR 1 CONTACT (SEE ORDER CODE FOR QTY.)	HEATSHRINK
G125	-	FC FD	1 2 3	XX	05 98 99 68	LO L4	-	XXXX	L	G125-204XX96	STANDARD WIRE WHITE/BLACK/RED (SEE C049XX)  MULTI-COLOURED (SEE TABLE 2 ON SHEET 7)  TWISTED PAIRS  2 TURNS PER INCH: WHITE & RED (SEE C049XX)  3 TURNS PER INCH: WHITE & GREEN (SEE C049XX)	FEMALE SIGNAL  26AWG: G125-0010005  28-30AWG: G125-0020005  MALE SIGNAL  26AWG: G125-1010005  28-30AWG: G125-1020005	FOR TWISTED PAIR CABLE ASSEMBLIES ONLY
		MC MD								G125-304XX96LX			
		MC MD								G125-304XX96LX			

**NOTES:**

- FOR COMPLETE SPECIFICATION, INCLUDING WIRE TYPE AND GAUGE SEE COMPONENT SPECIFICATIONS C125XX & C049XX (LATEST ISSUES).
- FOR POTTING COMPOUND AND WIRE TYPE SEE C049XX COMPONENT SPECIFICATION.
- SEE SHEET 7 FOR ASSEMBLIES WITH STANDARD WIRING CONFIGURATIONS.
- SEE SHEET 8 FOR ASSEMBLIES WITH TWISTED PAIR WIRING CONFIGURATIONS.
- SEE SHEET 9 FOR HARDWARE FIXING INFORMATION.
- FOR ALL HOUSING DIMENSIONS, SEE RESPECTIVE DRAWINGS FOR BOM ITEM 1.
- CABLE ASSEMBLIES ARE BULK PACKED IN BAGS.
- CUSTOM LENGTH CABLE ASSEMBLIES CAN BE PRODUCED FROM 60mm TO 9999mm.
- FOR TWISTED PAIR CABLE ASSEMBLIES USE '05' (WHITE) WIRE COLOUR IN ORDER CODE.

**ORDER CODE:**

**G125-XXXXXXXXLX-XXXXL**

CONNECTOR: F = FEMALE M = MALE	_____	DIM 'A' LENGTH: 0060 = 60mm MIN 9999 = 9999mm MAX
WIRING STYLE: C = STANDARD WIRE D = TWISTED PAIR	_____	CONNECTOR FIXING STYLE: LO = NO LATCHES L4 = LATCHES (MALE ONLY)
WIRE GAUGE: 1 = 26AWG 2 = 28AWG 3 = 30AWG	_____	WIRE COLOUR: 05 = WHITE 98 = BLACK 99 = RED 68 = MULTI-COLOURED
TOTAL No. OF CONTACTS: 06, 10, 12, 16, 20, 26, 34, 50	_____	

RTP	1	05.04.23	32231
NAME	ISS.	DATE	CN/CO
APPROVED: A.BOXALL			
CHECKED: M.RUDKIN			
DRAWN: R.PORTLOCK			
ASSEMBLY DRG:			

**HARWIN**

www.harwin.com

**TOLERANCES**  
X. = ±1mm  
X.X = ±0.50mm  
X.XX = ±0.20mm  
X.XXX = ±0.01mm  
  
ANGLES = ±5°  
UNLESS STATED

THIS DRAWING AND ANY INFORMATION OR DESCRIPTIVE MATTER SET OUT HEREON ARE CONFIDENTIAL AND COPYRIGHT PROPERTY OF THE HARWIN GROUP AND MUST NOT BE DISCLOSED, LOANED, COPIED OR USED FOR MANUFACTURING, TENDERING OR FOR ANY OTHER PURPOSE WITHOUT THEIR WRITTEN PERMISSION.

**MATERIAL:**  
  
SEE ABOVE

**TITLE:**  
**GECKO LATCHED  
SINGLE-ENDED CABLE ASSEMBLY**  
  
DRAWING NUMBER:  
**G125-XXXXXXXXLX-XXXXL**

SHT  
6 OF  
9

# Customer Information Sheet

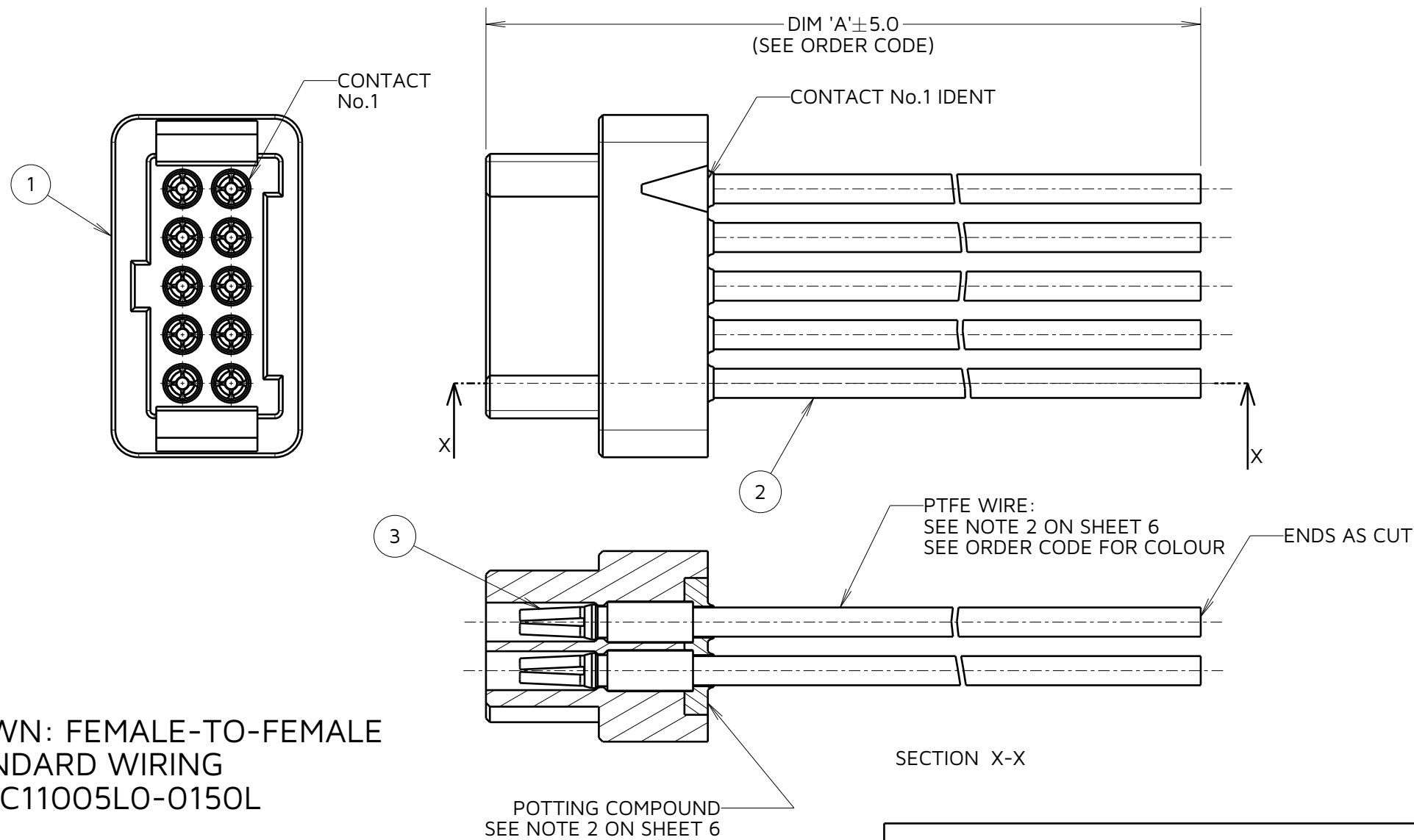
IF IN DOUBT - ASK

©

NOT TO SCALE

THIRD ANGLE PROJECTION

ALL DIMENSIONS IN mm



EXAMPLE SHOWN: FEMALE-TO-FEMALE  
STANDARD WIRING  
G125-FC11005LO-0150L

CONTACT No.	WIRE COLOUR
1	BLACK
2	BROWN
3	RED
4	ORANGE
5	YELLOW
6	GREEN
7	BLUE
8	VIOLET
9	GREY
10	WHITE

WIRE COLOURS REPEAT IN ABOVE ORDER FOR CONNECTOR ASSEMBLIES OVER 10 CONTACTS.

NOTES:  
10. FOR POSSIBLE COMBINATIONS, SEE BOM TABLE ON SHEET 6.  
11. ASSEMBLY G125-FC11005LO-0150L SHOWN FOR ILLUSTRATIVE PURPOSES ONLY. SEE ORDER CODE FOR PART NUMBER.

**ORDER CODE:**

**G125-XXXXXXXXLX-XXXXL**

CONNECTOR:  
F = FEMALE  
M = MALE

WIRING STYLE:  
C = STANDARD WIRE  
D = TWISTED PAIR

WIRE GAUGE:  
1 = 26AWG  
2 = 28AWG  
3 = 30AWG

TOTAL No. OF CONTACTS:  
06, 10, 12, 16,  
20, 26, 34, 50

DIM 'A' LENGTH:  
0060 = 60mm MIN  
9999 = 9999mm MAX

CONNECTOR FIXING STYLE:  
LO = NO LATCHES  
L4 = LATCHES (MALE ONLY)

WIRE COLOUR:  
05 = WHITE  
98 = BLACK  
99 = RED  
68 = MULTI-COLOURED (SEE TABLE 2)

RTP	1	05.04.23	32231
NAME	ISS.	DATE	CN/CO
APPROVED: A.BOXALL			
CHECKED: M.RUDKIN			
DRAWN: R.PORTLOCK			
ASSEMBLY DRG:			

 www.harwin.com	<b>TOLERANCES</b> X. = ±1mm X.X = ±0.50mm X.XX = ±0.20mm X.XXX = ±0.01mm ANGLES = ±5° UNLESS STATED	THIS DRAWING AND ANY INFORMATION OR DESCRIPTIVE MATTER SET OUT HEREON ARE CONFIDENTIAL AND COPYRIGHT PROPERTY OF THE HARWIN GROUP AND MUST NOT BE DISCLOSED, LOANED, COPIED OR USED FOR MANUFACTURING, TENDERING OR FOR ANY OTHER PURPOSE WITHOUT THEIR WRITTEN PERMISSION.	<b>MATERIAL:</b>  SEE SHEET 6	<b>TITLE:</b> GECKO LATCHED SINGLE-ENDED CABLE ASSEMBLY
				DRAWING NUMBER: G125-XXXXXXXXLX-XXXXL

# Customer Information Sheet

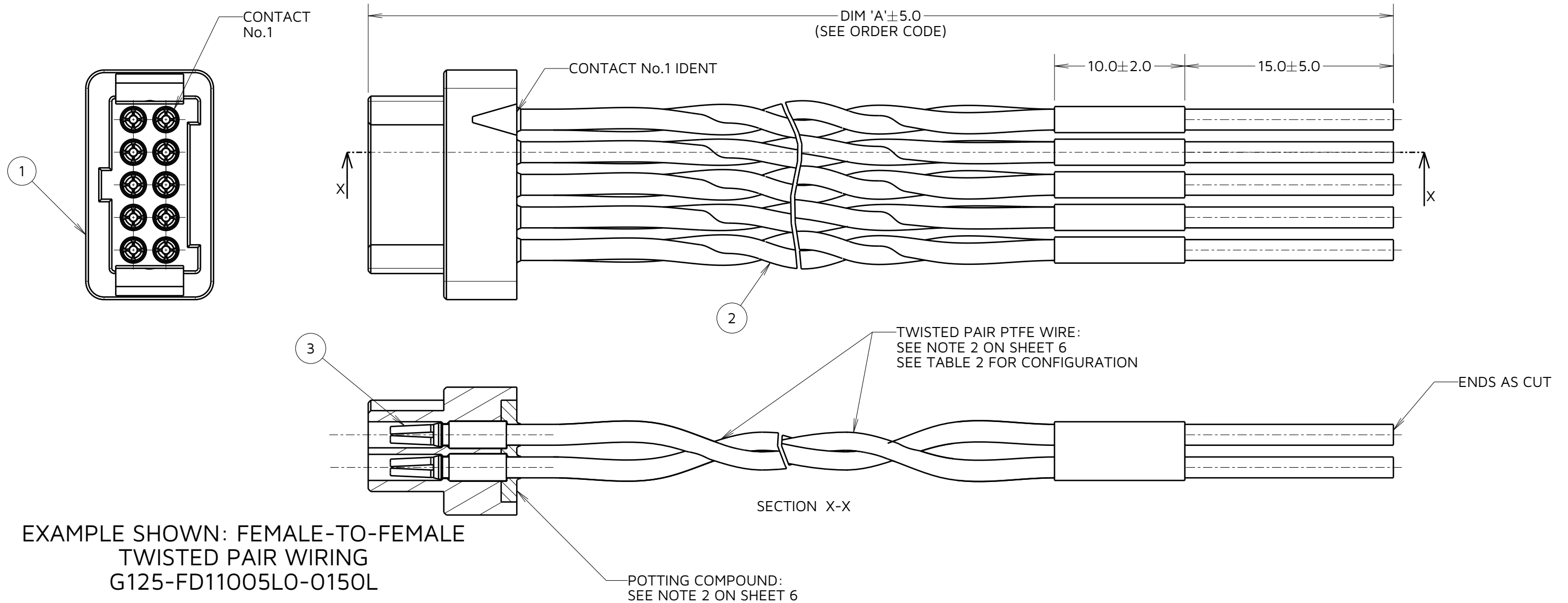
IF IN DOUBT - ASK

©

NOT TO SCALE

THIRD ANGLE PROJECTION

ALL DIMENSIONS IN mm



EXAMPLE SHOWN: FEMALE-TO-FEMALE  
TWISTED PAIR WIRING  
G125-FD11005LO-0150L

TABLE 3: TWISTED PAIR CABLE CONFIGURATIONS			
WIRING FOR EXAMPLE PART No. G125-FD11005LO-0150L			
TWISTED PAIR No.	CONNECTOR PIN No.	TURNS PER INCH	WIRE COLOUR
1	1	3	WHITE & GREEN
	6		
2	2	2	WHITE & RED
	7		
3	3	3	WHITE & GREEN
	8		
4	4	2	WHITE & RED
	9		
5	5	3	WHITE & GREEN
	10		

FOR CONNECTORS WITH MORE THAN 10 SIGNAL CONTACTS, CONTINUE TWIST & CABLE PIN OUT CONVENTION IN THE SAME PATTERN.  
(I.E. TWISTED PAIR BETWEEN CONTACT X & CONTACT X)

SEE BILL OF MATERIALS TABLE ON SHEET 6 FOR TWISTED PAIR PART NUMBERS.

- NOTES:
- FOR POSSIBLE COMBINATIONS, SEE BOM TABLE ON SHEET 6.
  - ASSEMBLY G125-FC11005LO-0150L SHOWN FOR ILLUSTRATIVE PURPOSES ONLY. SEE ORDER CODE FOR PART NUMBER.
  - TWISTED PAIR ASSEMBLIES SUPPLIED WITH HEATSHRINK TO PREVENT PAIRS UNTWISTING.

## ORDER CODE:

**G125-XXXXXXXXLX-XXXXL**

CONNECTOR:  
F = FEMALE  
M = MALE

WIRING STYLE:  
C = STANDARD WIRE  
D = TWISTED PAIR

WIRE GAUGE:  
1 = 26AWG  
2 = 28AWG  
3 = 30AWG

TOTAL No. OF CONTACTS:  
06, 10, 12, 16,  
20, 26, 34, 50

DIM 'A' LENGTH:  
0060 = 60mm MIN  
9999 = 9999mm MAX

CONNECTOR FIXING STYLE:  
L0 = NO LATCHES  
L4 = LATCHES (MALE ONLY)

WIRE COLOUR:  
05 = WHITE (SEE NOTE 9 ON SHEET 6)

RTP	1	05.04.23	32231
NAME	ISS.	DATE	CN/CO
APPROVED: A.BOXALL			
CHECKED: M.RUDKIN			
DRAWN: R.PORTLOCK			
ASSEMBLY DRG:			

**HARWIN**

www.harwin.com

TOLERANCES  
X. = ±1mm  
X.X = ±0.50mm  
X.XX = ±0.20mm  
X.XXX = ±0.01mm  
ANGLES = ±5°  
UNLESS STATED

THIS DRAWING AND ANY INFORMATION OR DESCRIPTIVE MATTER SET OUT HEREON ARE CONFIDENTIAL AND COPYRIGHT PROPERTY OF THE HARWIN GROUP AND MUST NOT BE DISCLOSED, LOANED, COPIED OR USED FOR MANUFACTURING, TENDERING OR FOR ANY OTHER PURPOSE WITHOUT THEIR WRITTEN PERMISSION.

MATERIAL:  
SEE SHEET 6

TITLE:  
**GECKO LATCHED  
SINGLE-ENDED CABLE ASSEMBLY**

DRAWING NUMBER:  
**G125-XXXXXXXXLX-XXXXL**

SHT  
8 OF  
9

# Customer Information Sheet

IF IN DOUBT - ASK

©

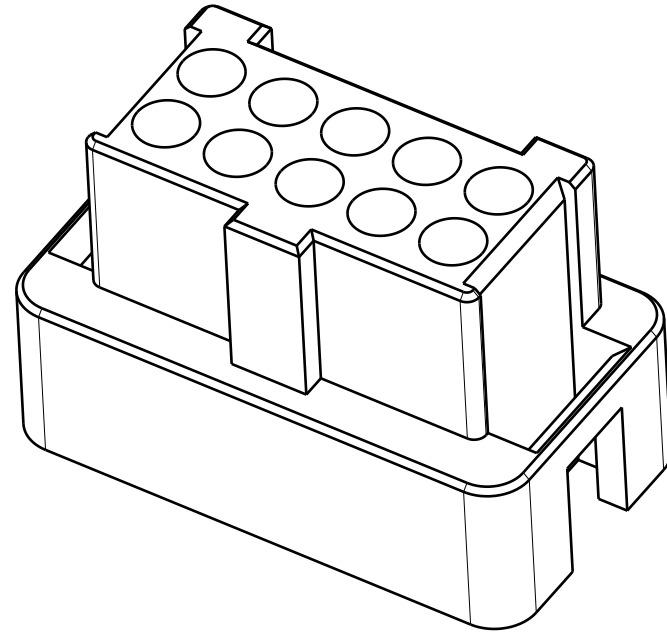
NOT TO SCALE

THIRD ANGLE PROJECTION

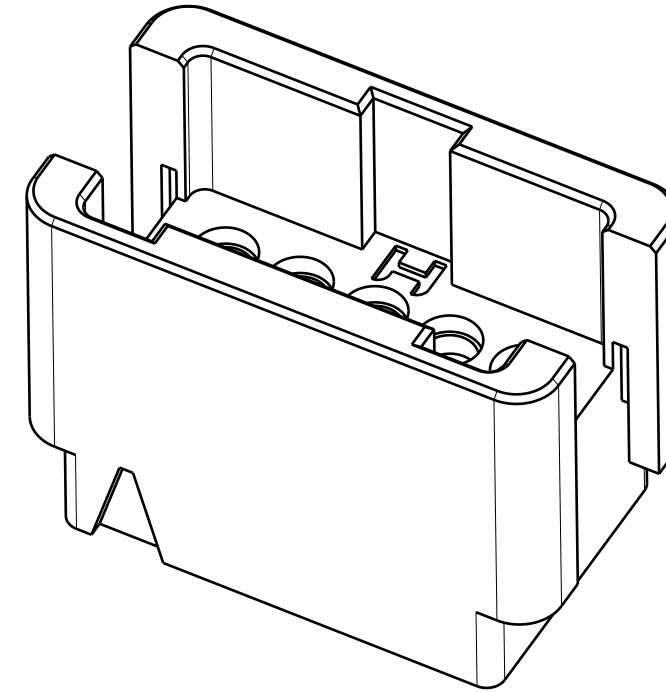
ALL DIMENSIONS IN mm

## FIXING STYLES

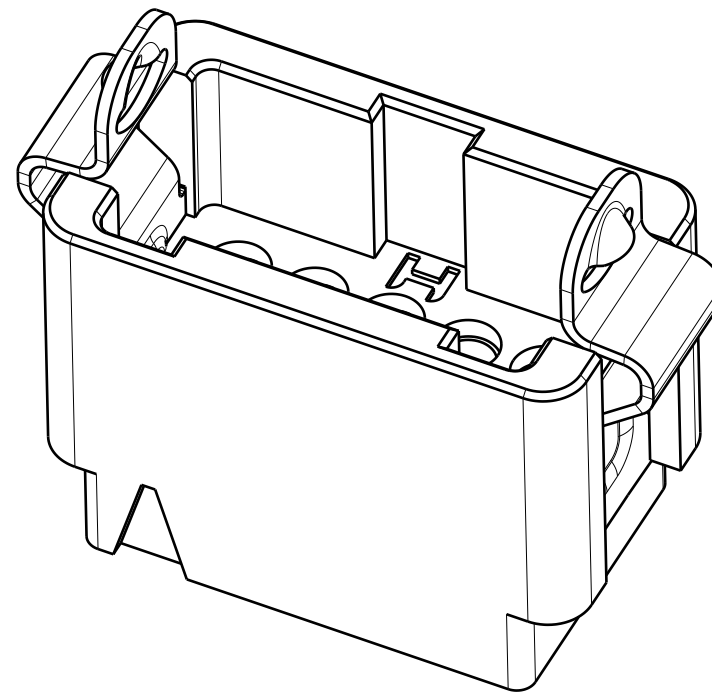
LO - FEMALE  
EXAMPLE: G125-2041096



LO - MALE  
EXAMPLE: G125-3041096



L4 - MALE ONLY  
EXAMPLE: G125-3041096L4



RTP	1	05.04.23	32231
NAME	ISS.	DATE	CN/CO
APPROVED: A.BOXALL			
CHECKED: M.RUDKIN			
DRAWN: R.PORTLOCK			
ASSEMBLY DRG:			

NOTES:  
15. SEE BILL OF MATERIALS TABLE ON SHEET 6 AND ORDER CODE FOR FIXING IDENTIFICATION.

**HARWIN**

[www.harwin.com](http://www.harwin.com)

TOLERANCES  
X. = ±1mm  
X.X = ±0.50mm  
X.XX = ±0.20mm  
X.XXX = ±0.01mm  
ANGLES = ±5°  
UNLESS STATED

THIS DRAWING AND ANY INFORMATION OR DESCRIPTIVE MATTER SET OUT HEREON ARE CONFIDENTIAL AND COPYRIGHT PROPERTY OF THE HARWIN GROUP AND MUST NOT BE DISCLOSED, LOANED, COPIED OR USED FOR MANUFACTURING, TENDERING OR FOR ANY OTHER PURPOSE WITHOUT THEIR WRITTEN PERMISSION.

MATERIAL:  
  
SEE SHEET 6

TITLE:  
**GECKO LATCHED  
SINGLE-ENDED CABLE ASSEMBLY**  
DRAWING NUMBER:  
**G125-XXXXXXXXLX-XXXXL** SHT  
9 OF 9

# Mouser Electronics

Authorized Distributor

Click to View Pricing, Inventory, Delivery & Lifecycle Information:

## Harwin:

[G125-MC11005L4-0150L](#) [G125-MC11005L4-0450L](#) [G125-MC13405L4-0150L](#) [G125-MC13405L4-0450L](#) [G125-MC15005L4-0150L](#) [G125-MC15005L4-0450L](#) [G125-MC20605L4-0150L](#) [G125-MC20605L4-0450L](#) [G125-MC21005L4-0150L](#) [G125-MC21005L4-0450L](#) [G125-MC23405L4-0150L](#) [G125-MC23405L4-0450L](#) [G125-MC25005L4-0150L](#) [G125-MC25005L4-0450L](#) [G125-MC30605L4-0150L](#) [G125-MC30605L4-0450L](#) [G125-MC31005L4-0150L](#) [G125-MC31005L4-0450L](#) [G125-MC33405L4-0150L](#) [G125-MC33405L4-0450L](#) [G125-MC35005L4-0150L](#) [G125-MC35005L4-0450L](#) [G125-FC10605L0-0150L](#) [G125-FC10605L0-0450L](#) [G125-FC11005L0-0150L](#) [G125-FC11005L0-0450L](#) [G125-FC11205L0-0150L](#) [G125-FC11605L0-0150L](#) [G125-FC11605L0-0450L](#) [G125-FC12005L0-0150L](#) [G125-FC12005L0-0450L](#) [G125-FC12605L0-0150L](#) [G125-FC12605L0-0450L](#) [G125-FC13405L0-0150L](#) [G125-FC13405L0-0450L](#) [G125-FC15005L0-0150L](#) [G125-FC15005L0-0450L](#) [G125-FC20605L0-0150L](#) [G125-FC20605L0-0450L](#) [G125-FC21005L0-0150L](#) [G125-FC21005L0-0450L](#) [G125-FC21205L0-0150L](#) [G125-FC21205L0-0450L](#) [G125-FC21605L0-0150L](#) [G125-FC21605L0-0450L](#) [G125-FC22005L0-0150L](#) [G125-FC22005L0-0450L](#) [G125-FC22605L0-0150L](#) [G125-FC22605L0-0450L](#) [G125-FC23405L0-0150L](#) [G125-FC23405L0-0450L](#) [G125-FC25005L0-0150L](#) [G125-FC25005L0-0450L](#) [G125-FC30605L0-0150L](#) [G125-FC30605L0-0450L](#) [G125-FC31005L0-0150L](#) [G125-FC31005L0-0450L](#) [G125-FC31205L0-0150L](#) [G125-FC31205L0-0450L](#) [G125-FC31605L0-0150L](#) [G125-FC31605L0-0450L](#) [G125-FC32005L0-0150L](#) [G125-FC32005L0-0450L](#) [G125-FC32605L0-0150L](#) [G125-FC32605L0-0450L](#) [G125-FC33405L0-0150L](#) [G125-FC33405L0-0450L](#) [G125-FC35005L0-0150L](#) [G125-FC35005L0-0450L](#) [G125-MC10605L4-0450L](#) [G125-MC11205L4-0150L](#) [G125-MC11205L4-0450L](#) [G125-MC11605L4-0150L](#) [G125-MC11605L4-0450L](#) [G125-MC12005L4-0150L](#) [G125-MC12005L4-0450L](#) [G125-MC12605L4-0150L](#) [G125-MC12605L4-0450L](#) [G125-MC21205L4-0150L](#) [G125-MC21205L4-0450L](#) [G125-MC21605L4-0150L](#) [G125-MC21605L4-0450L](#) [G125-MC22005L4-0150L](#) [G125-MC22005L4-0450L](#) [G125-MC22605L4-0150L](#) [G125-MC22605L4-0450L](#) [G125-MC31205L4-0150L](#) [G125-MC31205L4-0450L](#) [G125-MC31605L4-0150L](#) [G125-MC31605L4-0450L](#) [G125-MC32005L4-0150L](#) [G125-MC32005L4-0450L](#) [G125-MC32605L4-0150L](#) [G125-MC32605L4-0450L](#) [G125-FC11205L0-0450L](#) [G125-MC10605L4-0150L](#) [G125-FC10605L0-0300L](#) [G125-MC10605L0-0450L](#) [G125-MC11205L0-0450L](#) [G125-FC11068L0-0150L](#)