

Customer Information Sheet

IF IN DOUBT - ASK

©

NOT TO SCALE

THIRD ANGLE PROJECTION

ALL DIMENSIONS IN mm

TABLE 1: CONFIGURATIONS & BILL OF MATERIALS

ORDER CODE CONFIGURATIONS								BOM ITEM No.					
								1	2	3	4	5	
G125-XXXXXXXXLX-XXXX								CONNECTOR 1 (SEE ORDER CODE FOR TOTAL No. OF CONTACTS)	PTFE WIRE (SEE C049XX OR USE PART NUMBERS BELOW)	CONNECTOR 1 CONTACT (SEE ORDER CODE FOR QTY.)	CONNECTOR 2 CONTACT (SEE ORDER CODE FOR QTY.)	CONNECTOR 2 (SEE ORDER CODE FOR TOTAL No. OF CONTACTS)	
G125	-	FC FD	1 2 3	XX	05 98 99	LO	- XXXX	F	G125-204XX96	STANDARD WIRE WHITE/BLACK/RED (SEE C049XX)	FEMALE SIGNAL 26AWG: G125-0010005 28-30AWG: G125-0020005	FEMALE SIGNAL 26AWG: G125-0010005 28-30AWG: G125-0020005	G125-204XX96
		MC MD				LO L4		M	G125-304XX96LX	TWISTED PAIRS 2 TURNS PER INCH: WHITE & RED (SEE C049XX)	MALE SIGNAL 26AWG: G125-1010005 28-30AWG: G125-1020005	MALE SIGNAL 26AWG: G125-1010005 28-30AWG: G125-1020005	G125-304XX96LX
		MC MD				LO L4		F	G125-304XX96LX	3 TURNS PER INCH: WHITE & GREEN (SEE C049XX) SEE NOTE 9			G125-204XX96

NOTES:

- FOR COMPLETE SPECIFICATION, INCLUDING WIRE TYPE AND GAUGE SEE COMPONENT SPECIFICATIONS C125XX & C049XX (LATEST ISSUES).
- FOR POTTING COMPOUND AND WIRE TYPE SEE C049XX COMPONENT SPECIFICATION.
- SEE SHEET 7 FOR ASSEMBLIES WITH STANDARD WIRING CONFIGURATIONS.
- SEE SHEET 8 FOR ASSEMBLIES WITH TWISTED PAIR WIRING CONFIGURATIONS.
- SEE SHEET 9 FOR HARDWARE FIXING INFORMATION.
- FOR ALL HOUSING DIMENSIONS, SEE RESPECTIVE DRAWINGS FOR BOM ITEMS 1 & 5.
- CABLE ASSEMBLIES ARE BULK PACKED IN BAGS.
- CUSTOM LENGTH CABLE ASSEMBLIES CAN BE PRODUCED FROM 60mm TO 9999mm.
- FOR TWISTED PAIR CABLE ASSEMBLIES, USE '05' (WHITE) WIRE COLOUR IN ORDER CODE.

ORDER CODE:

G125-XXXXXXXXLX-XXXX

CONNECTOR 1:
F = FEMALE
M = MALE

WIRING STYLE:
C = STANDARD WIRE
D = TWISTED PAIR

WIRE GAUGE:
1 = 26AWG
2 = 28AWG
3 = 30AWG

TOTAL No. OF CONTACTS:
06, 10, 12, 16,
20, 26, 34, 50

CONNECTOR 2:
F = FEMALE
M = MALE

DIM 'A' LENGTH:
0060 = 60mm MIN
9999 = 9999mm MAX

CONNECTOR FIXING STYLE:
LO = NO LATCHES
L4 = LATCHES (MALE ONLY)

WIRE COLOUR:
05 = WHITE
98 = BLACK
99 = RED

RTP	1	04.04.23	32231
NAME	ISS.	DATE	CN/CO
APPROVED:		A.BOXALL	
CHECKED:		M.RUDKIN	
DRAWN:		R.PORTLOCK	
ASSEMBLY DRG:			

HARWIN

www.harwin.com

TOLERANCES
X. = ±1mm
X.X = ±0.50mm
X.XX = ±0.20mm
X.XXX = ±0.01mm
ANGLES = ±5°
UNLESS STATED

THIS DRAWING AND ANY INFORMATION OR DESCRIPTIVE MATTER SET OUT HEREON ARE CONFIDENTIAL AND COPYRIGHT PROPERTY OF THE HARWIN GROUP AND MUST NOT BE DISCLOSED, LOANED, COPIED OR USED FOR MANUFACTURING, TENDERING OR FOR ANY OTHER PURPOSE WITHOUT THEIR WRITTEN PERMISSION.

MATERIAL:
SEE ABOVE

TITLE:
**GECKO LATCHED
DOUBLE-ENDED CABLE ASSEMBLY**
DRAWING NUMBER:
G125-XXXXXXXXLX-XXXX SHT 6 OF 9

Customer Information Sheet

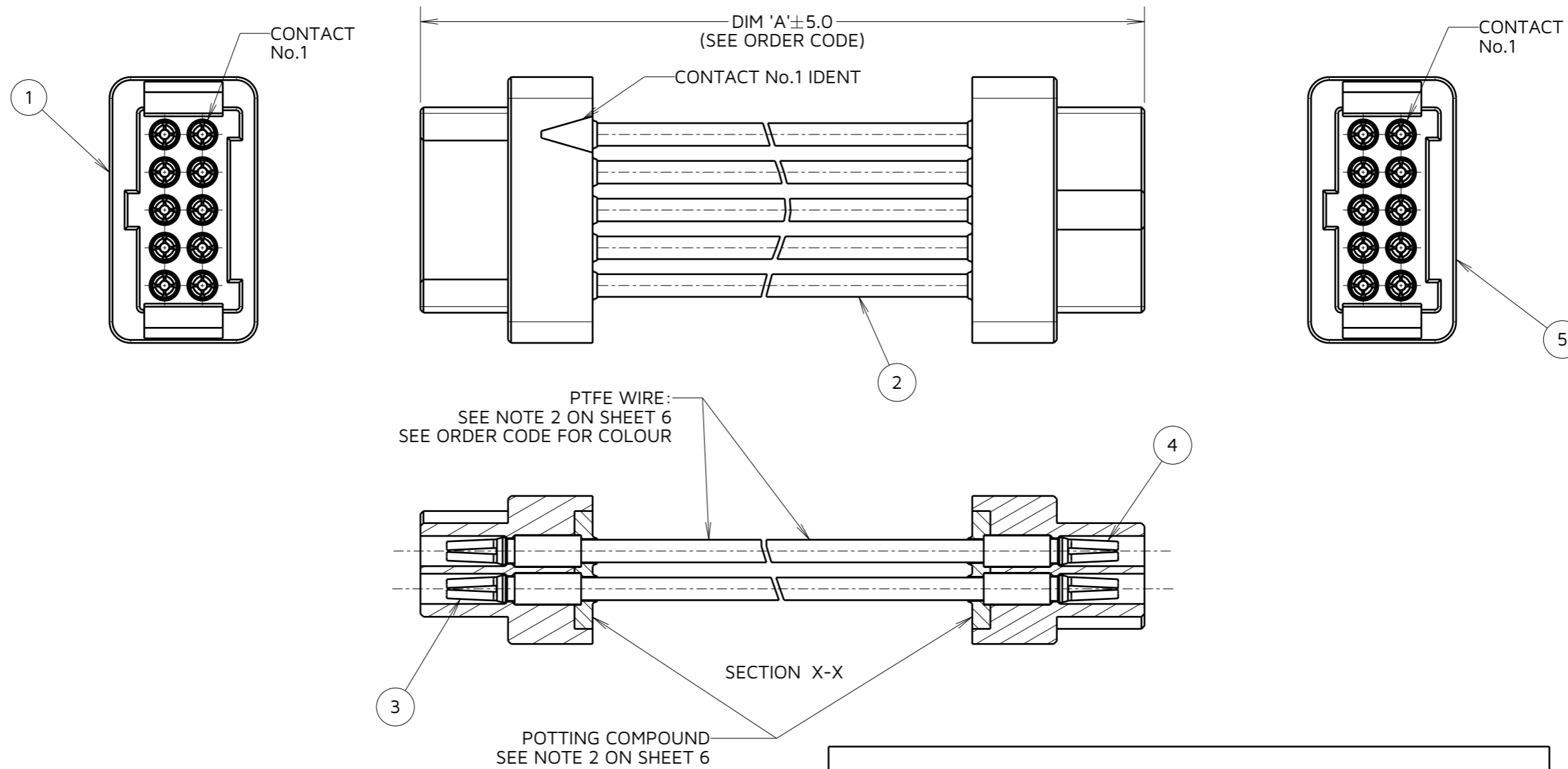
IF IN DOUBT - ASK

©

NOT TO SCALE

THIRD ANGLE PROJECTION

ALL DIMENSIONS IN mm



EXAMPLE SHOWN: FEMALE-TO-FEMALE
STANDARD WIRING
G125-FC11005LO-0150F

ORDER CODE:
G125-XXXXXXXXLX-XXXXX

CONNECTOR 1: F = FEMALE M = MALE	CONNECTOR 2: F = FEMALE M = MALE
WIRING STYLE: C = STANDARD WIRE D = TWISTED PAIR	DIM 'A' LENGTH: 0060 = 60mm MIN 9999 = 9999mm MAX
WIRE GAUGE: 1 = 26AWG 2 = 28AWG 3 = 30AWG	CONNECTOR FIXING STYLE: LO = NO LATCHES L4 = LATCHES (MALE ONLY)
TOTAL No. OF CONTACTS: 06, 10, 12, 16, 20, 26, 34, 50	WIRE COLOUR: 05 = WHITE 98 = BLACK 99 = RED

- NOTES:
- POSSIBLE CONFIGURATIONS:
FEMALE-TO-FEMALE,
MALE-TO-FEMALE,
MALE-TO-MALE.
 - FOR POSSIBLE COMBINATIONS, SEE BOM TABLE ON SHEET 1.
 - ASSEMBLY G125-FC11005LO-0150F SHOWN FOR ILLUSTRATIVE PURPOSES ONLY. SEE ORDER CODE FOR PART NUMBER.
 - WIRING OF CONNECTOR:
CONTACT 1 TO CONTACT 1,
CONTACT 2 TO CONTACT 2, ETC.

RTP	1	04.04.23	32231
NAME	ISS.	DATE	CN/CO
APPROVED:		A.BOXALL	
CHECKED:		M.RUDKIN	
DRAWN:		R.PORTLOCK	
ASSEMBLY DRG:			

Customer Information Sheet

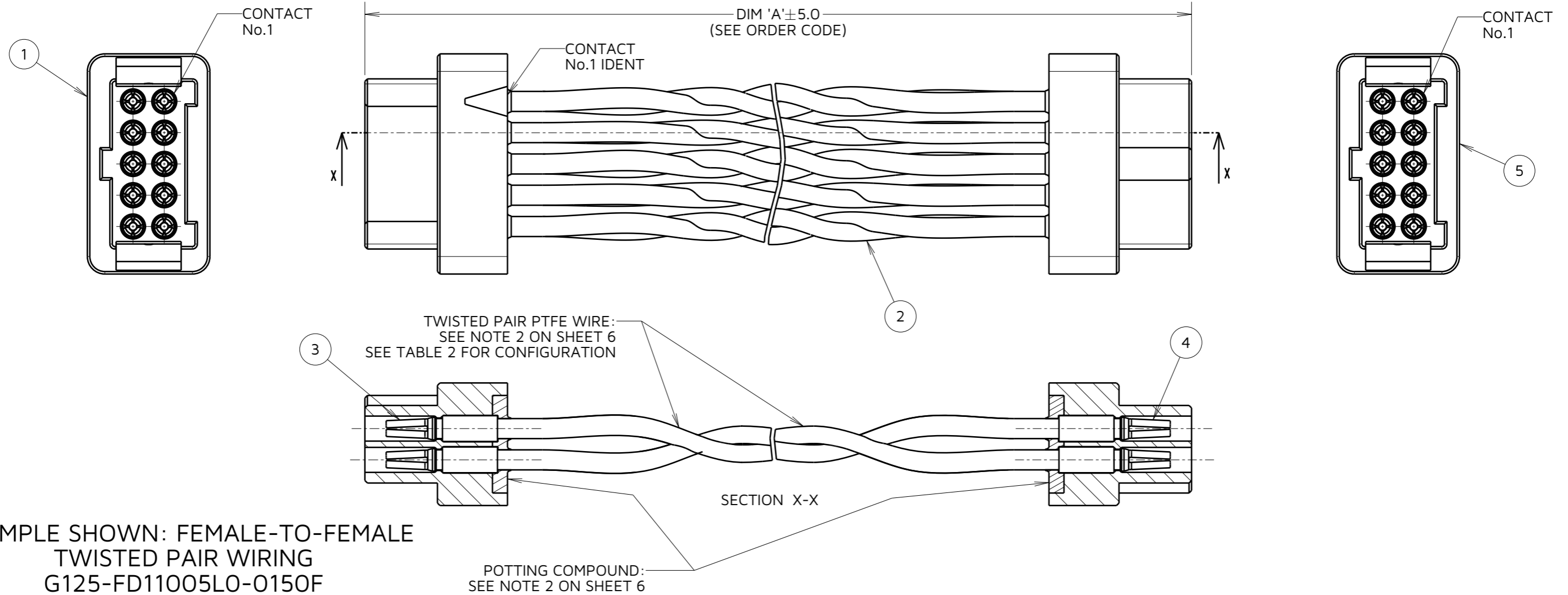
IF IN DOUBT - ASK

©

NOT TO SCALE

THIRD ANGLE PROJECTION

ALL DIMENSIONS IN mm



EXAMPLE SHOWN: FEMALE-TO-FEMALE
TWISTED PAIR WIRING
G125-FD11005LO-0150F

TABLE 2: TWISTED PAIR CABLE CONFIGURATIONS				
WIRING FOR EXAMPLE PART No. G125-FD11005LO-0150F				
TWISTED PAIR No.	CONNECTOR 1 PIN No.	CONNECTOR 2 PIN No.	TURNS PER INCH	WIRE COLOUR
1	1	6	3	WHITE & GREEN
	6	1		
2	2	7	2	WHITE & RED
	7	2		
3	3	8	3	WHITE & GREEN
	8	3		
4	4	9	2	WHITE & RED
	9	4		
5	5	10	3	WHITE & GREEN
	10	5		

FOR CONNECTORS WITH MORE THAN 10 SIGNAL CONTACTS,
CONTINUE TWIST & CABLE PIN OUT CONVENTION IN THE
SAME PATTERN.

(I.E. TWISTED PAIR BETWEEN CONTACT X & CONTACT X)

SEE BILL OF MATERIALS TABLE ON SHEET 1 FOR
TWISTED PAIR PART NUMBERS.

NOTES:

- POSSIBLE CONFIGURATIONS:
FEMALE-TO-FEMALE,
MALE-TO-FEMALE,
MALE-TO-MALE.
- FOR POSSIBLE COMBINATIONS, SEE BOM
TABLE ON SHEET 6.
- ASSEMBLY G125-FC11005LO-0150F SHOWN
FOR ILLUSTRATIVE PURPOSES ONLY. SEE
ORDER CODE FOR PART NUMBER.

ORDER CODE:

G125-XXXXXXXXLX-XXXXX

CONNECTOR 1:
F = FEMALE
M = MALE

WIRING STYLE:
C = STANDARD WIRE
D = TWISTED PAIR

WIRE GAUGE:
1 = 26AWG
2 = 28AWG
3 = 30AWG

TOTAL No. OF CONTACTS:
06, 10, 12, 16,
20, 26, 34, 50

CONNECTOR 2:
F = FEMALE
M = MALE

DIM 'A' LENGTH:
0060 = 60mm MIN
9999 = 9999mm MAX

CONNECTOR FIXING STYLE:
L0 = NO LATCHES
L4 = LATCHES (MALE ONLY)

WIRE COLOUR:
05 = WHITE
SEE NOTE 9 ON SHEET 6

RTP	1	04.04.23	32231
NAME	ISS.	DATE	CN/CO
APPROVED:		A.BOXALL	
CHECKED:		M.RUDKIN	
DRAWN:		R.PORTLOCK	
ASSEMBLY DRG:			

HARWIN

www.harwin.com

TOLERANCES
X. = ±1mm
X.X = ±0.50mm
X.XX = ±0.20mm
X.XXX = ±0.01mm
ANGLES = ±5°
UNLESS STATED

THIS DRAWING AND ANY
INFORMATION OR DESCRIPTIVE
MATTER SET OUT HEREON ARE
CONFIDENTIAL AND COPYRIGHT
PROPERTY OF THE HARWIN GROUP
AND MUST NOT BE DISCLOSED,
LOANED, COPIED OR USED FOR
MANUFACTURING, TENDERING OR FOR
ANY OTHER PURPOSE WITHOUT THEIR
WRITTEN PERMISSION.

MATERIAL:

SEE SHEET 6

TITLE:

GECKO LATCHED
DOUBLE-ENDED CABLE ASSEMBLY

DRAWING NUMBER:

G125-XXXXXXXXLX-XXXXX

SHT
8 OF 9

Customer Information Sheet

IF IN DOUBT - ASK

©

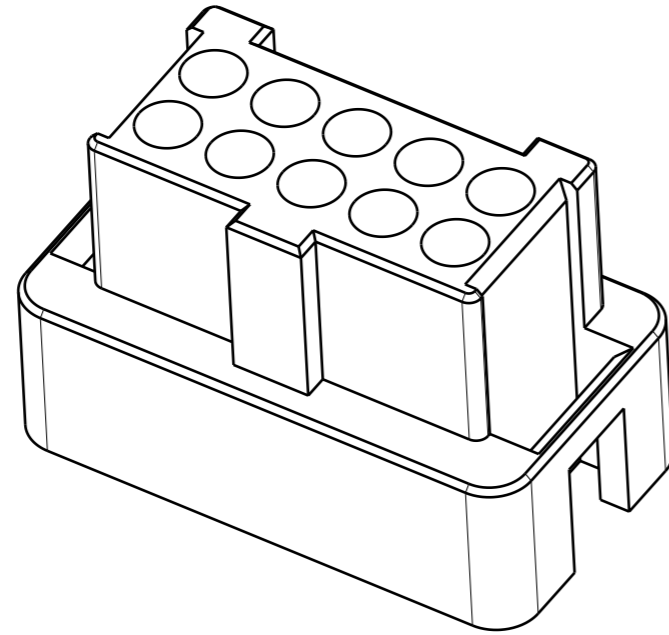
NOT TO SCALE

THIRD ANGLE PROJECTION

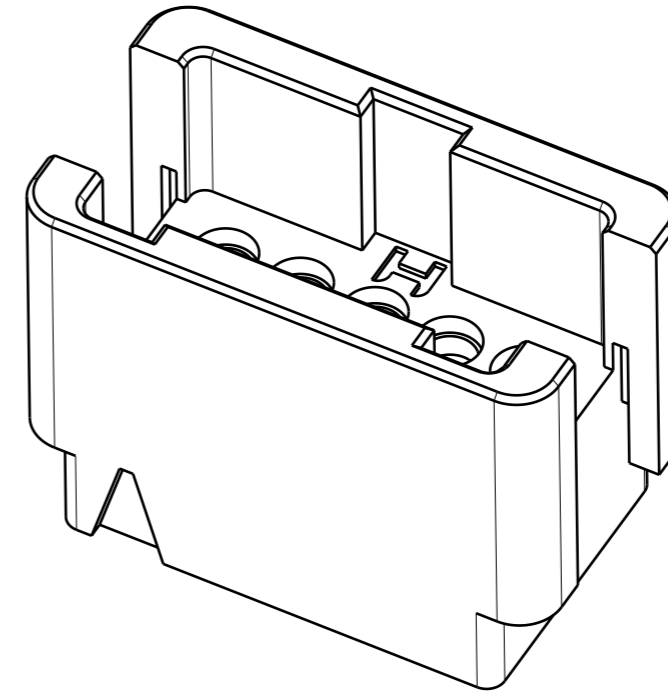
ALL DIMENSIONS IN mm

FIXING STYLES

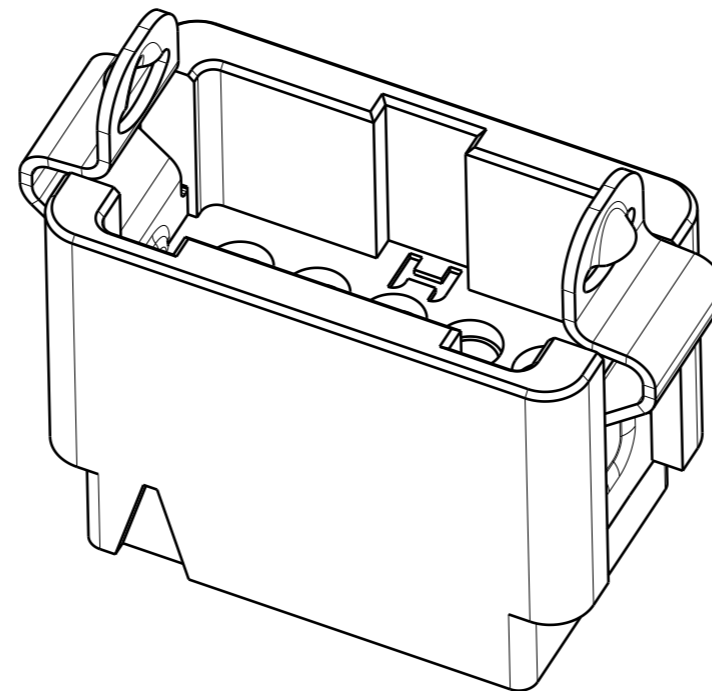
LO - FEMALE
EXAMPLE: G125-2041096



LO - MALE
EXAMPLE: G125-3041096



L4 - MALE ONLY
EXAMPLE: G125-3041096L4



RTP	1	04.04.23	32231
NAME	ISS.	DATE	CN/CO
APPROVED:		A.BOXALL	
CHECKED:		M.RUDKIN	
DRAWN:		R.PORTLOCK	
ASSEMBLY DRG:			

NOTES:
17. SEE BILL OF MATERIALS TABLE ON SHEET 6 AND ORDER CODE FOR FIXING IDENTIFICATION.

HARWIN

www.harwin.com

TOLERANCES
X. = ±1mm
X.X = ±0.50mm
X.XX = ±0.20mm
X.XXX = ±0.01mm
ANGLES = ±5°
UNLESS STATED

THIS DRAWING AND ANY INFORMATION OR DESCRIPTIVE MATTER SET OUT HEREON ARE CONFIDENTIAL AND COPYRIGHT PROPERTY OF THE HARWIN GROUP AND MUST NOT BE DISCLOSED, LOANED, COPIED OR USED FOR MANUFACTURING, TENDERING OR FOR ANY OTHER PURPOSE WITHOUT THEIR WRITTEN PERMISSION.

MATERIAL:

SEE SHEET 6

TITLE:

**GECKO LATCHED
DOUBLE-ENDED CABLE ASSEMBLY**

DRAWING NUMBER:

G125-XXXXXXXXLX-XXXXX

SHT
9
OF
9

Mouser Electronics

Authorized Distributor

Click to View Pricing, Inventory, Delivery & Lifecycle Information:

Harwin:

[G125-MC10605L4-0150F](#) [G125-MC10605L4-0150M](#) [G125-MC10605L4-0300F](#) [G125-MC10605L4-0300M](#) [G125-MC11005L4-0150F](#) [G125-MC11005L4-0150M](#) [G125-MC11005L4-0300F](#) [G125-MC11005L4-0300M](#) [G125-MC13405L4-0150F](#) [G125-MC13405L4-0150M](#) [G125-MC13405L4-0300F](#) [G125-MC13405L4-0300M](#) [G125-MC15005L4-0150F](#) [G125-MC15005L4-0150M](#) [G125-MC15005L4-0300F](#) [G125-MC15005L4-0300M](#) [G125-MC20605L4-0150F](#) [G125-MC20605L4-0150M](#) [G125-MC20605L4-0300F](#) [G125-MC20605L4-0300M](#) [G125-MC21005L4-0150F](#) [G125-MC21005L4-0150M](#) [G125-MC21005L4-0300F](#) [G125-MC21005L4-0300M](#) [G125-MC23405L4-0150F](#) [G125-MC23405L4-0150M](#) [G125-MC23405L4-0300F](#) [G125-MC23405L4-0300M](#) [G125-MC25005L4-0150F](#) [G125-MC25005L4-0150M](#) [G125-MC25005L4-0300F](#) [G125-MC25005L4-0300M](#) [G125-MC30605L4-0150F](#) [G125-MC30605L4-0150M](#) [G125-MC30605L4-0300F](#) [G125-MC30605L4-0300M](#) [G125-MC31005L4-0150F](#) [G125-MC31005L4-0150M](#) [G125-MC31005L4-0300F](#) [G125-MC31005L4-0300M](#) [G125-MC33405L4-0150F](#) [G125-MC33405L4-0150M](#) [G125-MC33405L4-0300F](#) [G125-MC33405L4-0300M](#) [G125-MC35005L4-0150F](#) [G125-MC35005L4-0150M](#) [G125-MC35005L4-0300F](#) [G125-MC35005L4-0300M](#) [G125-FC10605L0-0150F](#) [G125-FC10605L0-0300F](#) [G125-FC11005L0-0150F](#) [G125-FC11005L0-0300F](#) [G125-FC11205L0-0150F](#) [G125-FC11205L0-0300F](#) [G125-FC11605L0-0150F](#) [G125-FC11605L0-0300F](#) [G125-FC12005L0-0150F](#) [G125-FC12005L0-0300F](#) [G125-FC12605L0-0150F](#) [G125-FC12605L0-0300F](#) [G125-FC13405L0-0150F](#) [G125-FC13405L0-0300F](#) [G125-FC15005L0-0150F](#) [G125-FC15005L0-0300F](#) [G125-FC20605L0-0150F](#) [G125-FC20605L0-0300F](#) [G125-FC21005L0-0150F](#) [G125-FC21005L0-0300F](#) [G125-FC21205L0-0150F](#) [G125-FC21205L0-0300F](#) [G125-FC21605L0-0150F](#) [G125-FC21605L0-0300F](#) [G125-FC22005L0-0150F](#) [G125-FC22005L0-0300F](#) [G125-FC22605L0-0150F](#) [G125-FC22605L0-0300F](#) [G125-FC23405L0-0150F](#) [G125-FC23405L0-0300F](#) [G125-FC25005L0-0150F](#) [G125-FC25005L0-0300F](#) [G125-FC30605L0-0150F](#) [G125-FC30605L0-0300F](#) [G125-FC31005L0-0150F](#) [G125-FC31005L0-0300F](#) [G125-FC31205L0-0150F](#) [G125-FC31205L0-0300F](#) [G125-FC31605L0-0150F](#) [G125-FC31605L0-0300F](#) [G125-FC32005L0-0150F](#) [G125-FC32005L0-0300F](#) [G125-FC32605L0-0150F](#) [G125-FC32605L0-0300F](#) [G125-FC33405L0-0150F](#) [G125-FC33405L0-0300F](#) [G125-FC35005L0-0150F](#) [G125-FC35005L0-0300F](#) [G125-MC11205L4-0150F](#) [G125-MC11205L4-0300F](#) [G125-MC11205L4-0300M](#) [G125-MC11605L4-0150F](#)