

Customer Information Sheet

DRAWING No.: G125-324XX96M3

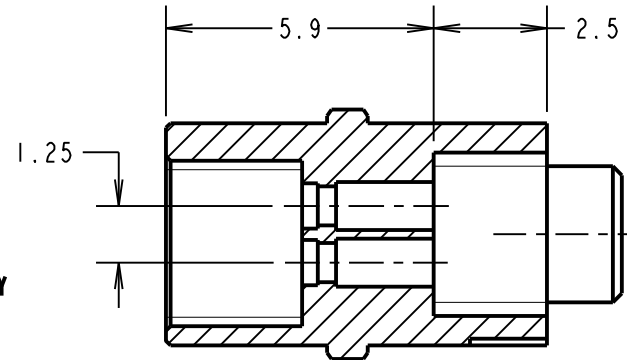
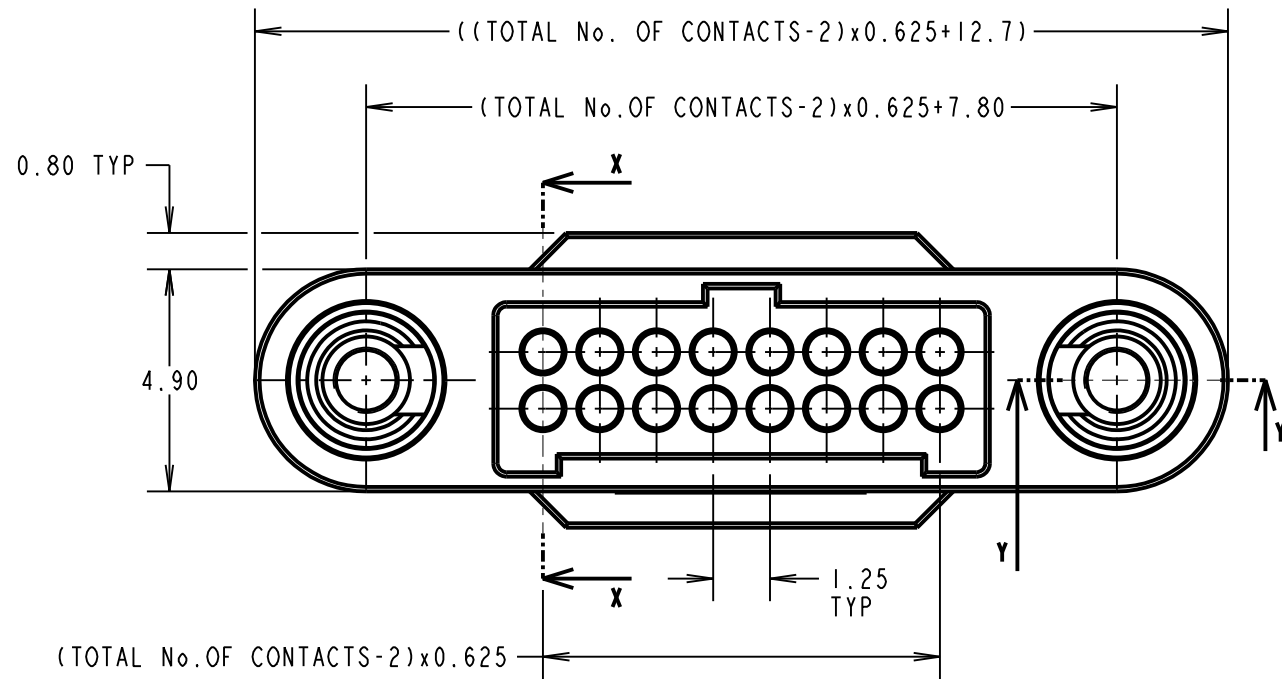
IF IN DOUBT - ASK

©

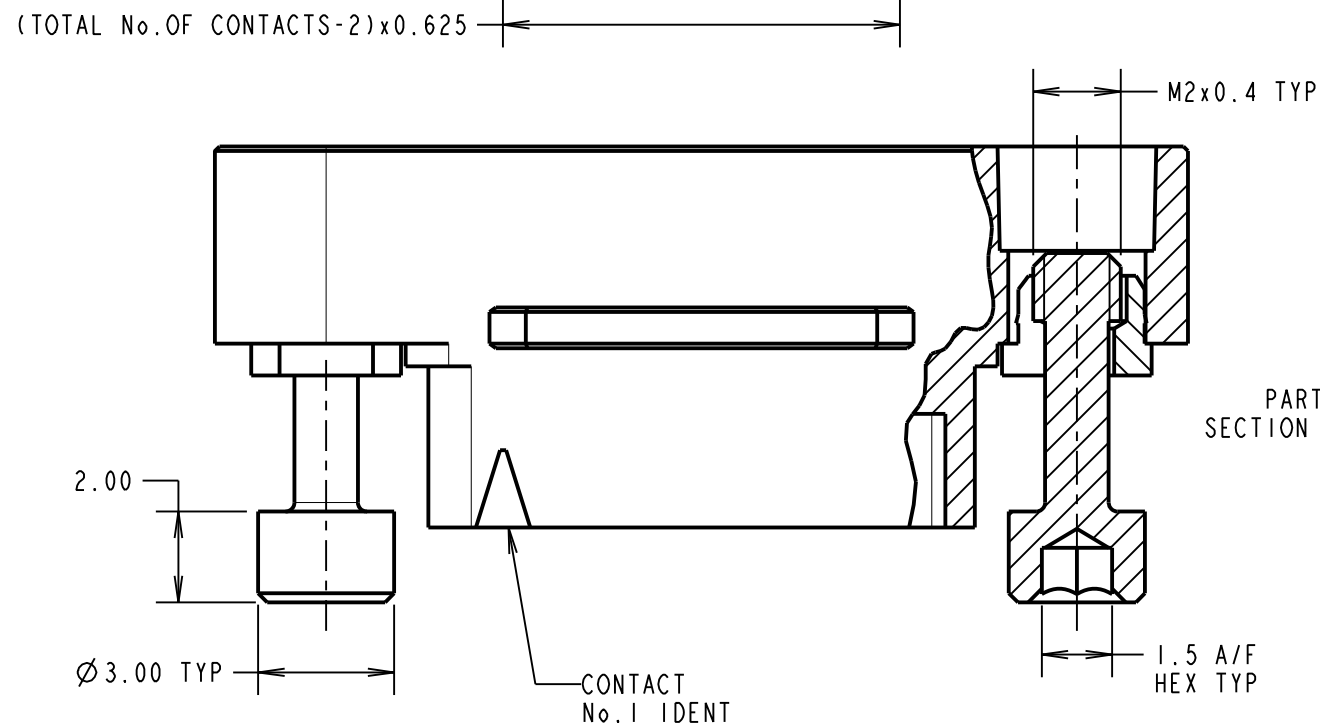
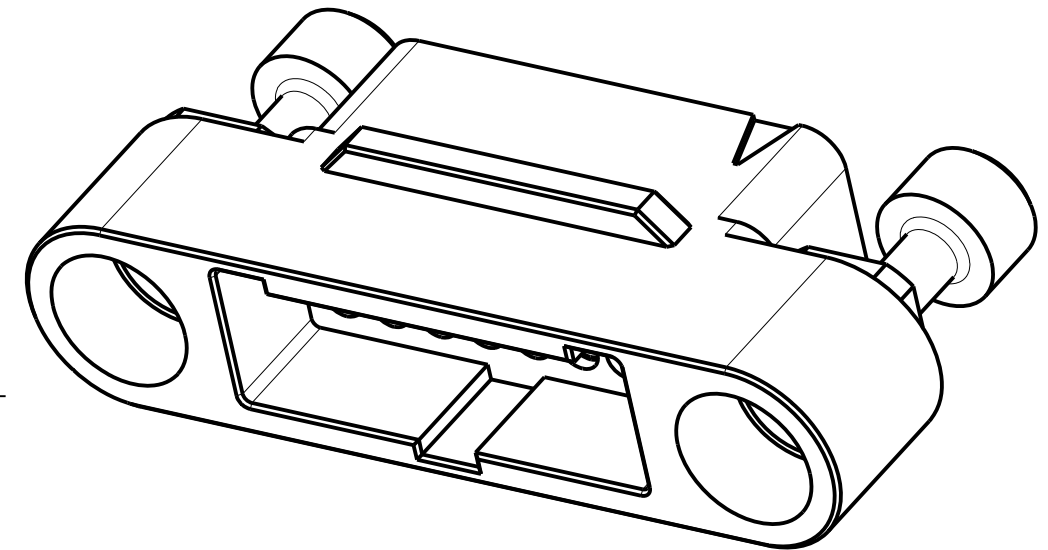
NOT TO SCALE

THIRD ANGLE PROJECTION

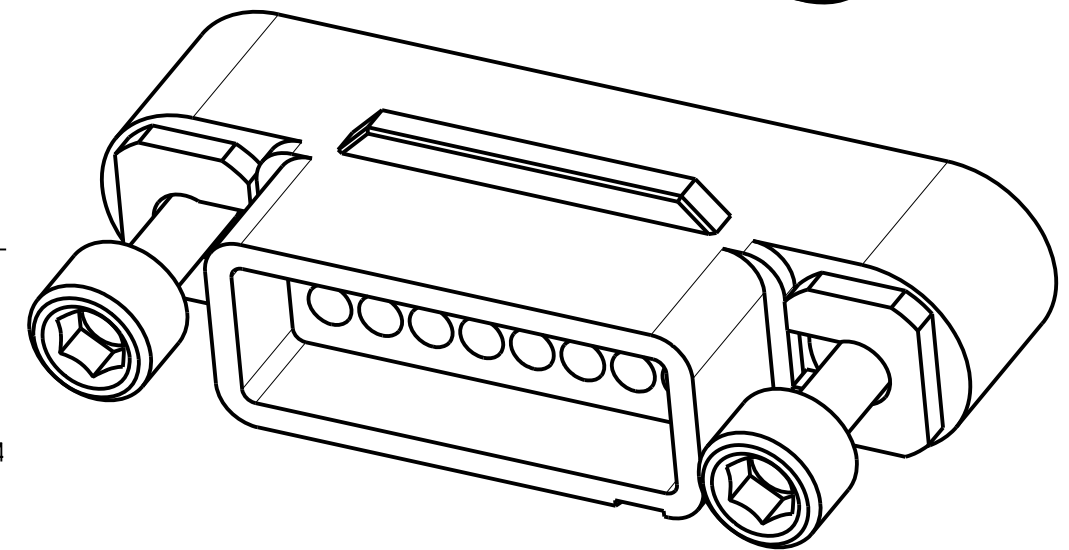
ALL DIMENSIONS IN mm



SECTION X-X



PART SECTION Y-Y



NOTES:

1. PACK SIZE: 10 PER BAG.
2. MOULDING TO BE USED WITH G125-1010005 AND G125-1020005 MALE CRIMP CONTACTS, OR G125-0200005 BLANKING PLUG.
3. FOR ASSEMBLY INSTRUCTIONS SEE INSTRUCTION SHEET IS-38.
4. FOR MATERIALS, FINISH AND SPECIFICATIONS SEE GECKO SERIES SPECIFICATION SUMMARY SHEET OR COMPONENT SPECIFICATION C125XX (LATEST ISSUE) FOR FULL SPECIFICATION.
5. DRAWING SHOWS HOUSING WITH 16 CONTACT POSITIONS.

ORDER CODE: **G125-324XX96M3**

TOTAL No. OF CONTACTS
06, 10, 12, 16, 20, 26, 34 & 50.



HARWIN

www.harwin.com
technical@harwin.com

THIS DRAWING AND ANY INFORMATION OR DESCRIPTIVE MATTER SET OUT HEREON ARE CONFIDENTIAL AND COPYRIGHT PROPERTY OF THE HARWIN GROUP AND MUST NOT BE DISCLOSED, LOANED, COPIED OR USED FOR MANUFACTURING, TENDERING OR FOR ANY OTHER PURPOSE WITHOUT THEIR WRITTEN PERMISSION.

TOLERANCES

X. = ±1mm
X.X = ±0.50mm
X.XX = ±0.20mm
X.XXX = ±0.01mm
ANGLES = ±5°
UNLESS STATED

MATERIAL:

SEE ABOVE

FINISH:

SEE ABOVE

S/AREA:

mm²

TITLE:

GECKO-SL SERIES
MALE CABLE HOUSING
WITH REVERSE FIX

DRAWING NUMBER:

G125-324XX96M3

| | | | |
|----------------------|------|----------|-------|
| RTP | 3 | 14.06.21 | 30588 |
| NAME | ISS. | DATE | CN/CO |
| APPROVED: R.PORTLOCK | | | |
| CHECKED: R.ALEXANDER | | | |
| DRAWN: M.PLESTED | | | |
| CUSTOMER REF.: | | | |
| ASSEMBLY DRG: | | | |

Mouser Electronics

Authorized Distributor

Click to View Pricing, Inventory, Delivery & Lifecycle Information:

[Harwin:](#)

[G125-3240696M3](#) [G125-3241096M3](#) [G125-3241296M3](#) [G125-3241696M3](#) [G125-3242096M3](#) [G125-3242696M3](#)
[G125-3243496M3](#) [G125-3245096M3](#)