

Power Level Sensor

Features

- Polypropylene housing
- FDA test passed
- Covers a wide range of applications
- Ideal for water dispensers, tank monitoring systems, vending machines, coffee machines and printing machines
- IP67 protection rating

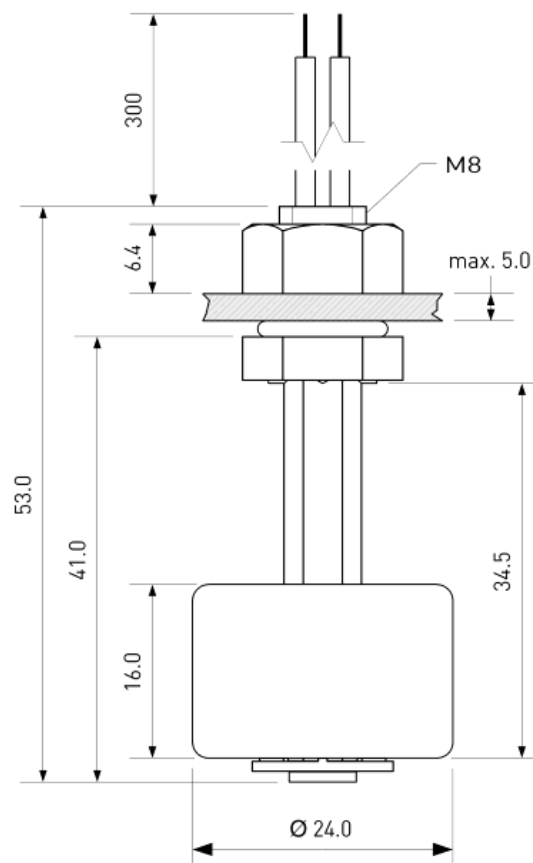


Specification @ 25 °C

| | |
|---------------------------------------|--|
| Output Type | Break Contact (NC) |
| Contact Rating max. | 50 W |
| Switching Voltage max. | 250 VAC / 200 VDC |
| Switching Current max. | 1.5 A |
| Carry Current max. | 2 A |
| Breakdown Voltage min. | 400 VDC |
| Total Resistance max. | 150 mΩ |
| Operating Temperature | -20 ... 80 °C |
| Storage Temperature | -30 ... 80 °C |
| Density of Float typ.* | 0.7 g/cm ³ |
| Recommended Minimum Gravity of Medium | Density of Float + 20% g/cm ³ |

* in delivery condition

Drawing

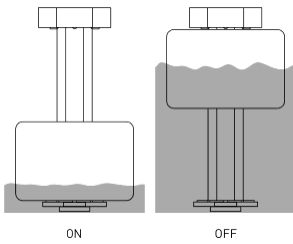


Power Level Sensor

Material Specification

| | |
|--------------|---|
| Housing | PP |
| Cable | UL 1007, AWG 22, 4 mm Stripped and Tinned |
| Nuts | PA66, M8, 1 pc Preassembled |
| Float | PP Foam |
| Potting | PU / Epoxy |
| Sealing Ring | Silicone |

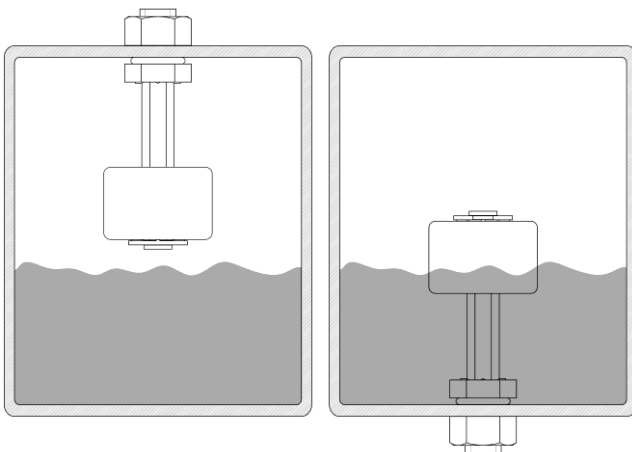
Operation View



When mounted near ferromagnetic parts switching distance of RND 410-00008 may vary

Electromagnetical influences and magnetic fields may change the switching behaviour of the Level Sensor

Mounting



When mounted stem up, operating functions are reversed

Art Nr.
RND 410-00008