

FLOJET

a xylem brand



CONNECTIONS: 9.5mm (3/8") hose barb.

PRESSURE SWITCH SETTINGS:

Cuts in at 1.7 bar (25 psi)
Cuts out at 2.4 bar (35 psi)

MATERIALS OF CONSTRUCTION:

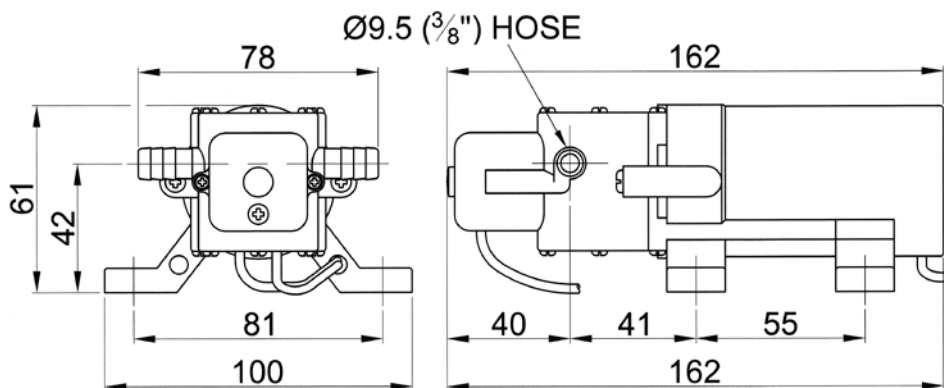
Pump head: Glass-filled Polypropylene
Diaphragm: Santoprene®
Valves: **RLF122201D** 12v dc = Viton
RLF222201D 24v dc = Viton
RLF122202D 12v dc = EPDM
RLF222202D 24v dc = EPDM

OUTPUT:

Up to 3.8 litres/minute (0.8 gallons/minute).
Max recommended total head 25 metres



FUSE SIZE: 5 amp **WEIGHT:** 0.72 Kg



RLF122201D 12v dc
RLF222201D 24v dc
RLF122202D 12v dc
RLF222202D 24v dc
Compact Self-Priming Diaphragm Pump

- ◆ Built-in pressure switch automatically starts and stops pump instantaneously when discharge valve is opened and closed.
- ◆ Intermittent duty
- ◆ Self-priming capability up to 0.7m. Pump may be located above the liquid level.
- ◆ Maximum liquid temperature 43°C (110°F)
- ◆ Duplex diaphragm design allows extended dry running without damage.
- ◆ Built in thermal overload protection
- ◆ Low amp draw for battery powered applications