

16

15

14

13

12

11

10

9

8

7

6

5

4

3

2

1

PART NUMBER
GL SERIES CHART 4

| REVISION HISTORY | | | | | |
|------------------|----------|-----------------|----------|------------|----------|
| REV | DOCUMENT | DESCRIPTION | CHG'D BY | DATE | APPROVED |
| A | 0099726 | INITIAL RELEASE | RH | 2013-04-10 | M. MARK |

GLC

SEE CONDUIT
THREAD CHART

SEE BASIC SWITCH
CODE CHART

SEE ACTUATOR
TYPE / MATERIAL
CODE CHART

SEE ROLLER ORIENTATION
CODE CHART

SEE MODIFICATION
CODE CHART

| CONDUIT THREAD CHART | |
|----------------------|---------------------------|
| CODE | DESCRIPTION |
| A | 1/2-14 NPT CONDUIT THREAD |
| B | PG 13.5 CONDUIT THREAD |
| C | M20 X 1.5 CONDUIT THREAD |
| D | PF 1/2 CONDUIT THREAD |

| BASIC SWITCH CODE CHART | |
|-------------------------|--|
| CODE | DESCRIPTION |
| 01 | S.P.D.T.-SNAP ACTION |
| 03 | S.P.D.T.-BREAK BEFORE MAKE |
| 04 | S.P.D.T.-MAKE BEFORE BREAK |
| 05 | S.P.D.T.-SLOW ACTION-2 NORMALLY OPEN |
| 06 | S.P.D.T.-SLOW ACTION-2 NORMALLY CLOSED |
| 07 | S.P.D.T.-SNAP ACTION-GOLD PLATED |
| 33 | S.P.D.T.-BREAK BEFORE MAKE-GOLD PLATED |
| 34 | S.P.D.T.-MAKE BEFORE BREAK-GOLD PLATED |
| 35 | S.P.D.T.-SLOW ACTION-2 NORMALLY OPEN-GOLD PLATED |
| 36 | S.P.D.T.-SLOW ACTION-2 NORMALLY CLOSED-GOLD PLATED |

| ACTUATOR TYPE / MATERIAL CODE CHART | |
|-------------------------------------|--|
| CODE | DESCRIPTION |
| A1A | SIDE ROTARY, FIXED LENGTH LEVER, NYLON ROLLER |
| A1B | SIDE ROTARY, FIXED LENGTH LEVER, STEEL ROLLER |
| A1 | SIDE ROTARY, FIXED LENGTH LEVER, NO ROLLER |
| A2A | SIDE ROTARY, ADJUSTABLE LENGTH LEVER, NYLON ROLLER |
| A2B | SIDE ROTARY, ADJUSTABLE LENGTH LEVER, STEEL ROLLER |
| A2 | SIDE ROTARY, ADJUSTABLE LENGTH LEVER, NO ROLLER |
| A4J | SIDE ROTARY, ADJUSTABLE LENGTH LEVER, 140mm ALUMINUM ROD |
| A4L | SIDE ROTARY, ADJUSTABLE LENGTH LEVER, 200mm ALUMINUM ROD |
| A5A | SIDE ROTARY, OFFSET LEVER, NYLON ROLLER |
| A5B | SIDE ROTARY, OFFSET LEVER, STEEL ROLLER |
| A5 | SIDE ROTARY, OFFSET LEVER, NO ROLLER |
| A9A | SIDE ROTARY, CONVEYOR ROLLER |
| B | TOP PIN PLUNGER |
| C | TOP ROLLER PLUNGER |
| D | TOP ROLLER LEVER |
| E7B | WOBBLE, COIL |
| K8A | CAT WHISKER, 140mm |
| K8B | CAT WHISKER, 190mm |
| K8D | CAT WHISKER, 165mm |
| A1Y | SIDE ROTARY, FIXED LENGTH LEVER, Ø50mm X 10mm RUBBER ROLLER |
| A2Y | SIDE ROTARY, ADJUSTABLE LENGTH LEVER, Ø50mm X 10mm RUBBER ROLLER |

| ROLLER ORIENTATION CODE CHART | |
|-------------------------------|--|
| CODE | DESCRIPTION |
| BLANK | BLANK = LEVER IN FRONT, STANDARD ORIENTATION-ROLLER PARALLEL TO MOUNTING SURFACE, SWITCHING IN BOTH DIRECTIONS |
| 1 | SWITCHING CLOCKWISE ROTATION ONLY |
| 2 | SWITCHING COUNTER CLOCKWISE ROTATION ONLY |
| 3 | LEVER ON RIGHT |
| 4 | LEVER ON LEFT |
| 5 | LEVER TO MOUNTING SURFACE |
| 6 | HEAD ORIENTED WITH ROLLER PERPENDICULAR TO MOUNTING SURFACE |

| MODIFICATION CODE CHART | |
|-------------------------|--|
| CODE | DESCRIPTION |
| C02I | PRE-LEADED CABLE, 5 CONDUCTOR WITH GROUND LAST CHARACTER IS CABLE LENGTH IN METERS. CABLES LENGTHS AVAILABLE IN 1 TO 9 METERS LENGTHS. |
| Q01 | CONNECTOR, 4 PIN MICRO-CHANGE |
| Q02 | CONNECTOR, 5 PIN M12 |
| Q03 | CONNECTOR, 4 PIN MINI-CHANGE |
| Q04 | CONNECTOR, 5 PIN MINI-CHANGE |
| Q07 | CONNECTOR, 5 PIN MICRO |

NOTES:

- 1 - ZINC DIECAST BODY AND OPERATING HEAD WITH STEEL COVER. BODY AND COVER FINISHED IN MICRO SWITCH BLUE EPOXY PAINT. OPERATING HEAD FINISHED IN BLACK EPOXY PAINT.
- 2 - ANY STANDARD LISTING WITH SUFFIX "RS" OR "FE" IS PERMITTED.
- 3 - FREE POSITION (FP), OPERATING POINT (OP), OVERTRAVEL (OT) AND PRE TRAVEL(PT) ALL TO EN50047.
- 4 - MAXIMUM TIGHTENING TORQUE FOR NOTED SCREWS IS 0.5 N-m (4.4 in lb).
- 5 - MAXIMUM TIGHTENING TORQUE FOR FIXING SCREWS IS 0.8 N-m (7 in lb).
- 6 - CABLED PRODUCTS TEMP RANGE -25°C TO 85°C
-3°F TO 185°F
- 7 - A STANDRAD LISTING WITH SUFFIX "N 100" INDICATES A CABLE GLAND AND SEAL ARE SUPPLIED WITH PRODUCT IN PACKAGING BOX
- 8 - DIMENSIONS ARE SHOWN AS MILLIMETERS OVER INCHES. INCH VALUES ARE SHOWN FOR REFERENCE ONLY.
- 9 - 3.5 (.14) FOR PG13.5, M20 X 1.5 AND PF 1/2 CONDUIT THREADS,
7.2 (.28) FOR 1/2-14 NPT THREAD.

| ELECTRICAL RATING | | ENVIRONMENTAL | APPROVALS |
|-----------------------|------------------------------------|---|---|
| SILVER CONTACTS | | 1P66 NEMA 1, 4, 12, 13 TEMP RANGE: -40°C TO +85°C -40°F TO +185°F | UL SE IEC 947-5-1 EN50047 |
| GOLD PLATED CONTACTS | | | |
| AC | DC | STORAGE: -40°C TO +85°C -40°F TO +185°F | SHOCK: 50G PER IEC 68-2-27 |
| A300 Ue AC15 1e | Q300 DC13 Ue 1e | | |
| VOLTS 120 240 | AMPS 6 3 | VIBRATION: 10G PER IEC 68-2-6 | |
| | VOLTS AMPS 125 0.55 250 0.27 | | |
| | | | 1th = 10A 1V 10µA MIN 50V 100mA MAX |

| UNLESS OTHERWISE SPECIFIED | | THIRD ANGLE PROJECTION |
|--|---|------------------------|
| DIMENSIONS ARE IN MM | | |
| DECIMAL TOL | NO PLACE --- ±0.5 1 PLACE --- ±0.3 2 PLACE --- ±0.15 3 PLACE --- ±0.05 | |
| ANGULAR TOL --- ±2° CHAMFER --- ±.5° | | |
| MATERIAL | | |
| FINISH | | |
| APPLICABLE DOCUMENTS: ASME Y14.100-2004 ASME Y14.5-2009 | | |
| COMPUTER GENERATED DRAWING: PRO/ENGINEER | | |

| | | | | |
|----------------------|------------|---|---------------|-----|
| Honeywell | | | | |
| SWITCH, LIMIT | | | | |
| SIZE | CAGE CODE | DWG NO | TYPE | REV |
| A1 | 91929 | GL SERIES CHART 4 | I | A |
| SCALE | NONE | REF. WT: | SHEET 1 of 11 | |
| RELEASE DATE | 2013-04-10 | HONEYWELL CONFIDENTIAL THIS DOCUMENT CONTAINS PROPRIETARY INFORMATION AND SUCH INFORMATION MAY NOT BE DISCLOSED TO OTHERS FOR ANY PURPOSE, NOR USED FOR MANUFACTURING PURPOSES WITHOUT WRITTEN PERMISSION FROM HONEYWELL | | |
| DRW: H. RAVIKIRAN | 2013-03-27 | | | |
| RDE: M. MARK | 2013-03-27 | | | |
| DA: - | - | | | |
| CHK: M. MARK | 2013-03-27 | | | |

16

15

14

13

12

11

10

9

8

7

6

5

4

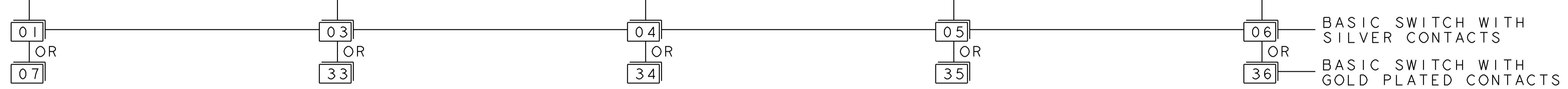
3

2

1

PART NUMBER
GL SERIES CHART 4

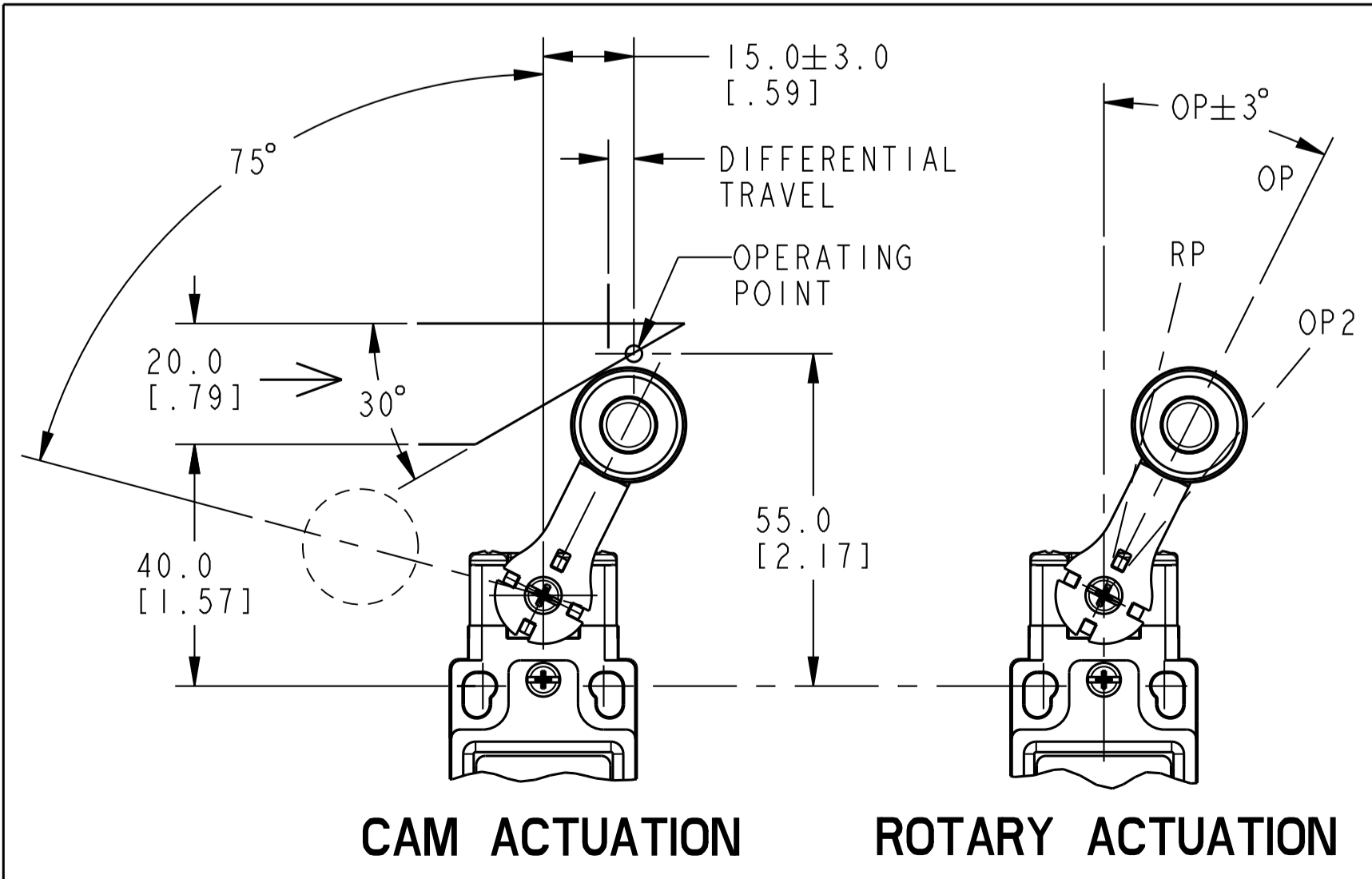
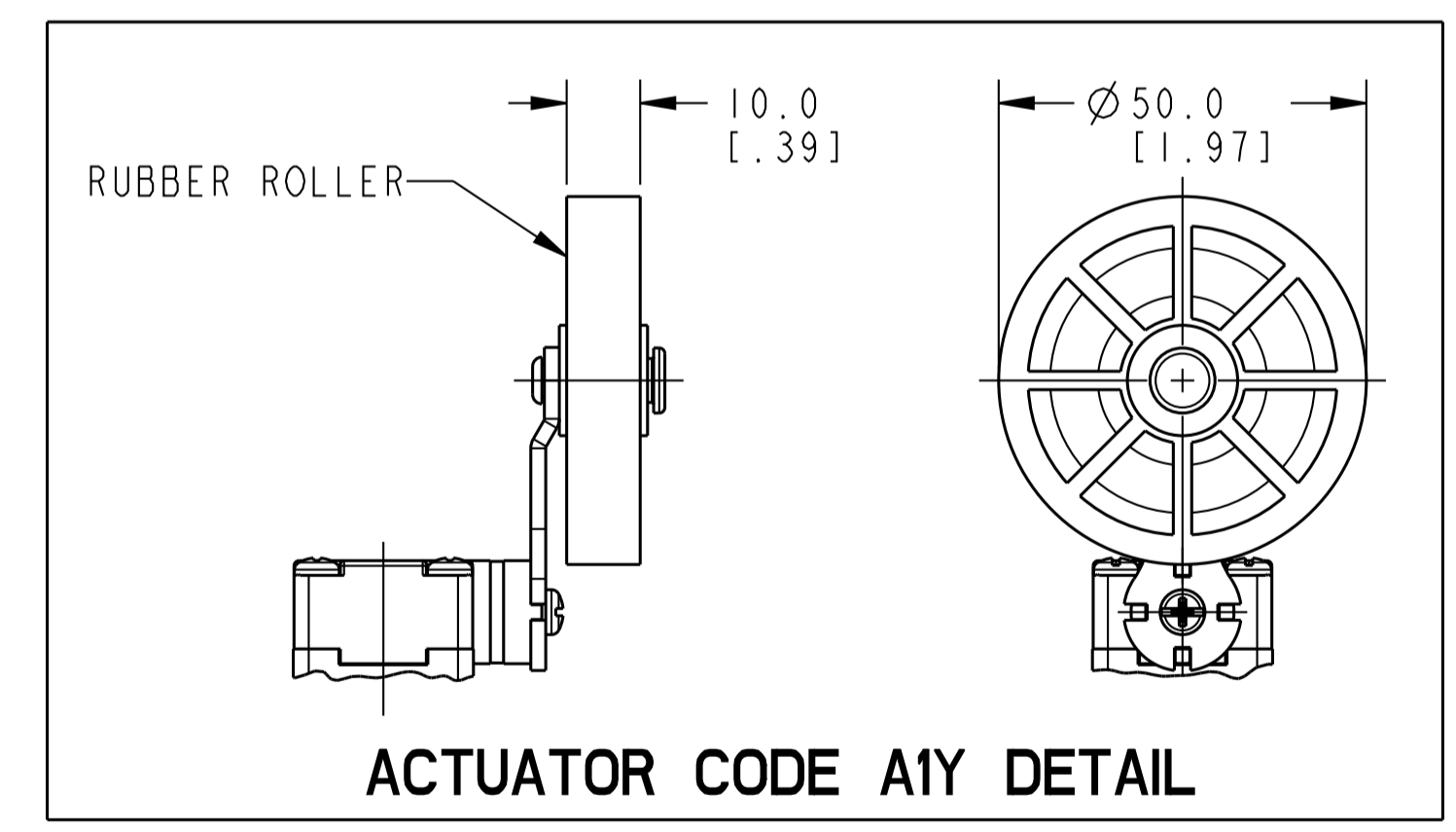
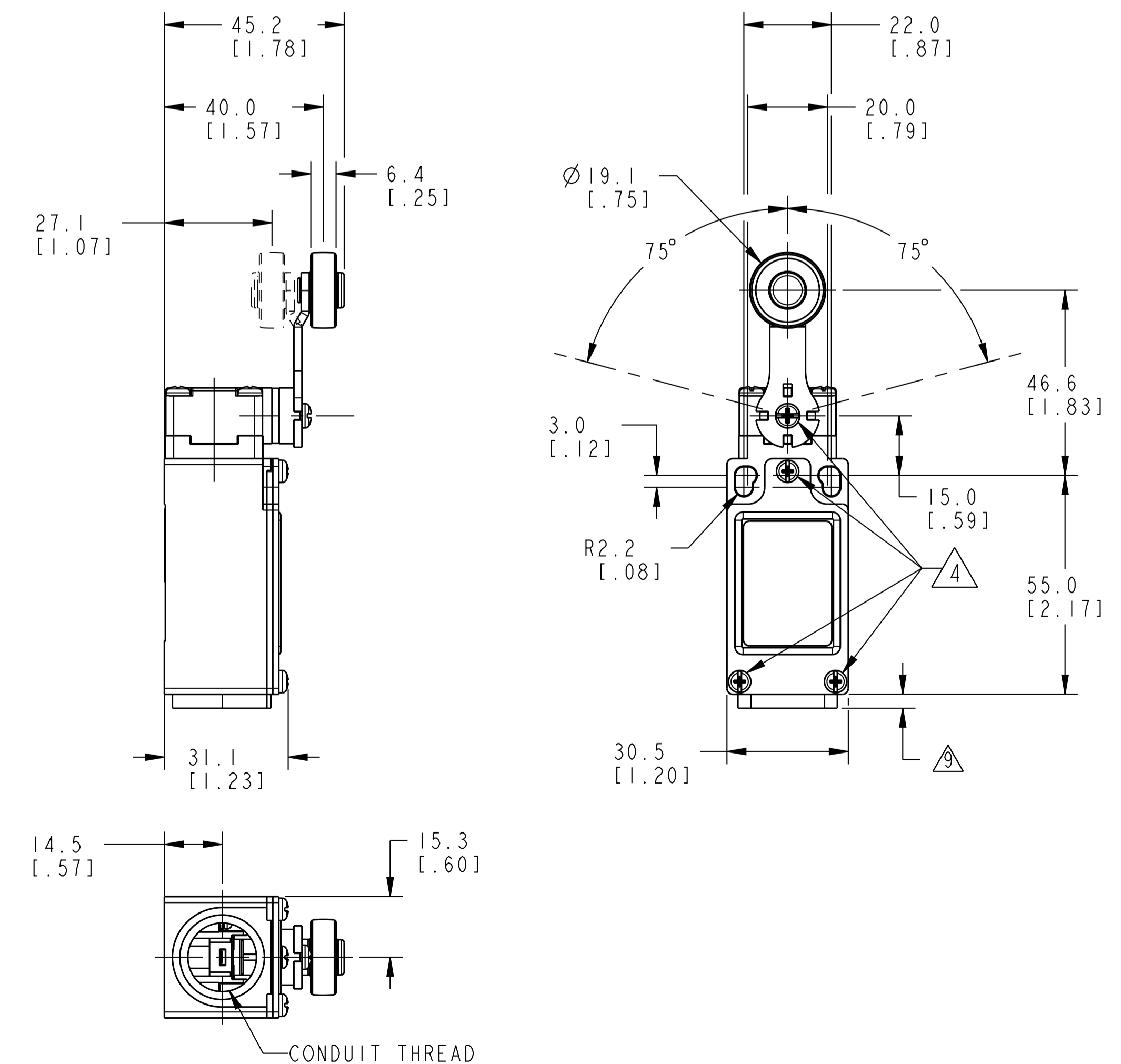
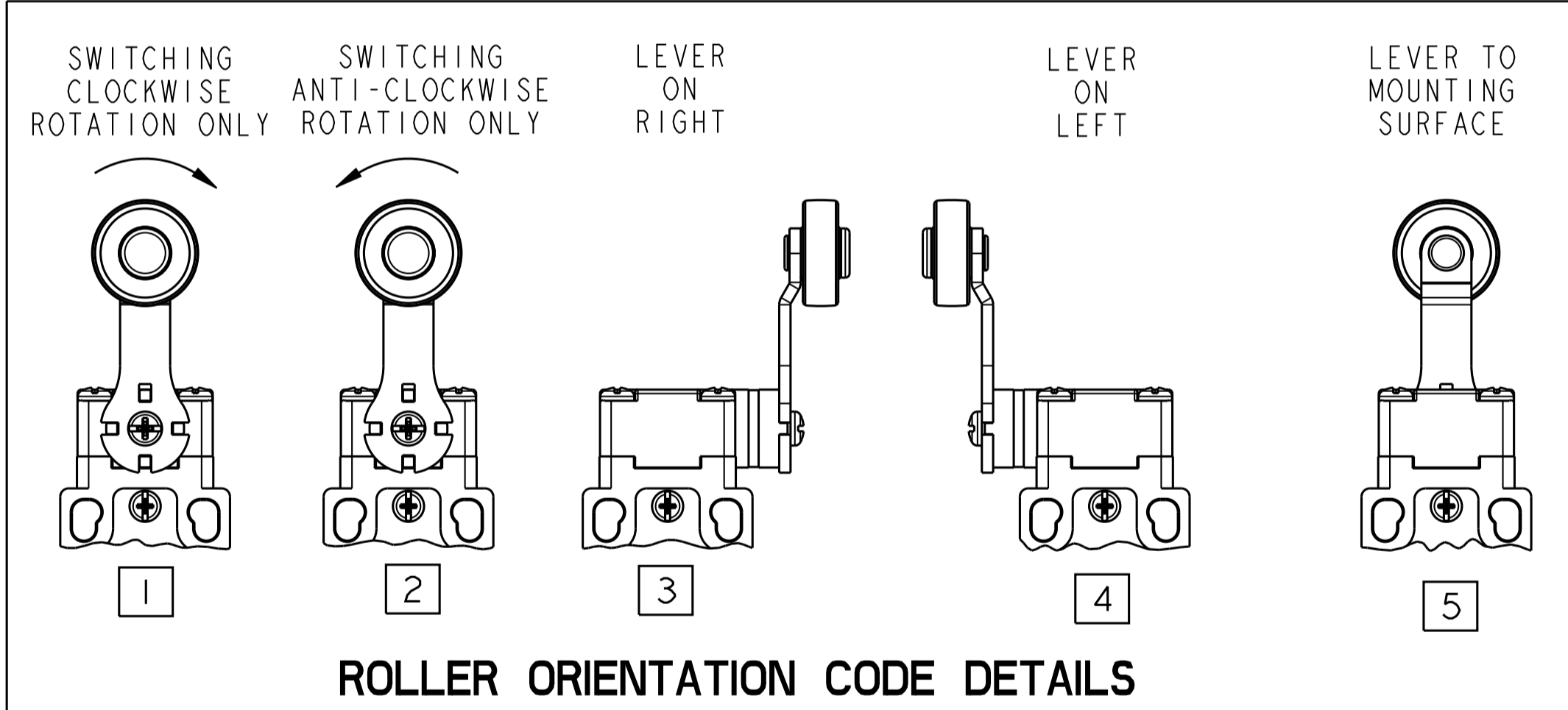
| | | | | | |
|-----------------------------|---|---|---|---|---|
| <p>SNAP ACTION CONTACTS</p> | <p>SLOW ACTION CONTACTS BREAK BEFORE MAKE</p> | <p>SLOW ACTION CONTACTS MAKE BEFORE BREAK</p> | <p>SLOW ACTION CONTACTS 2 NORMALLY OPEN</p> | <p>SLOW ACTION CONTACTS 2 NORMALLY CLOSED</p> | <p>CONTACT BLOCK DIAGRAM TERMINAL DESIGNATION TO EN50013</p> |
| | | | | | <p>NOMINAL TRAVELS AND RELATED TERMINALS</p> <p>CONTACT CLOSED CONTACT OPEN • POSITIVE OPENING TO IEC 947-5-1</p> |
| <p>120 (1.1)</p> | <p>110 (1.0)</p> | <p>110 (1.0)</p> | <p>110 (1.0)</p> | <p>110 (1.0)</p> | <p>NORMAL OPERATING TORQUE MAX Nmm (in. lbs)</p> |
| <p>140 (1.3)</p> | <p>160 (1.5)</p> | <p>170 (1.6)</p> | <p>150 (1.4)</p> | <p>150 (1.4)</p> | <p>MAXIMUM DISCONNECT TORQUE Nmm (in. lbs)</p> |



MIN. OPERATING VELOCITY = 2.0mm/s
MAX. OPERATING VELOCITY = 200mm/s
MAX. OPERATING FREQUENCY = 250 OPS/MINUTE

(THESE LIMITS APPLY TO
CAM ACTUATION AS SHOWN
IN THE BELOW DIAGRAMS ONLY)

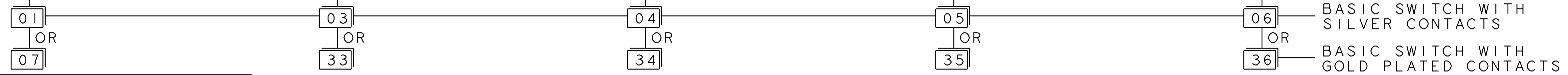
**SIDE ROTARY
ACTUATOR CODE A1, A1A, A1B & A1Y**



| | | | | |
|--------------------------|-----------|-------------------|---------------|-----|
| Honeywell | | | | |
| SWITCH, LIMIT | | | | |
| SIZE | CAGE CODE | DWG NO | TYPE | REV |
| A1 | 91929 | GL SERIES CHART 4 | I | A |
| SCALE | REF WT: | | SHEET 2 of 11 | |
| 1:1 | | | | |

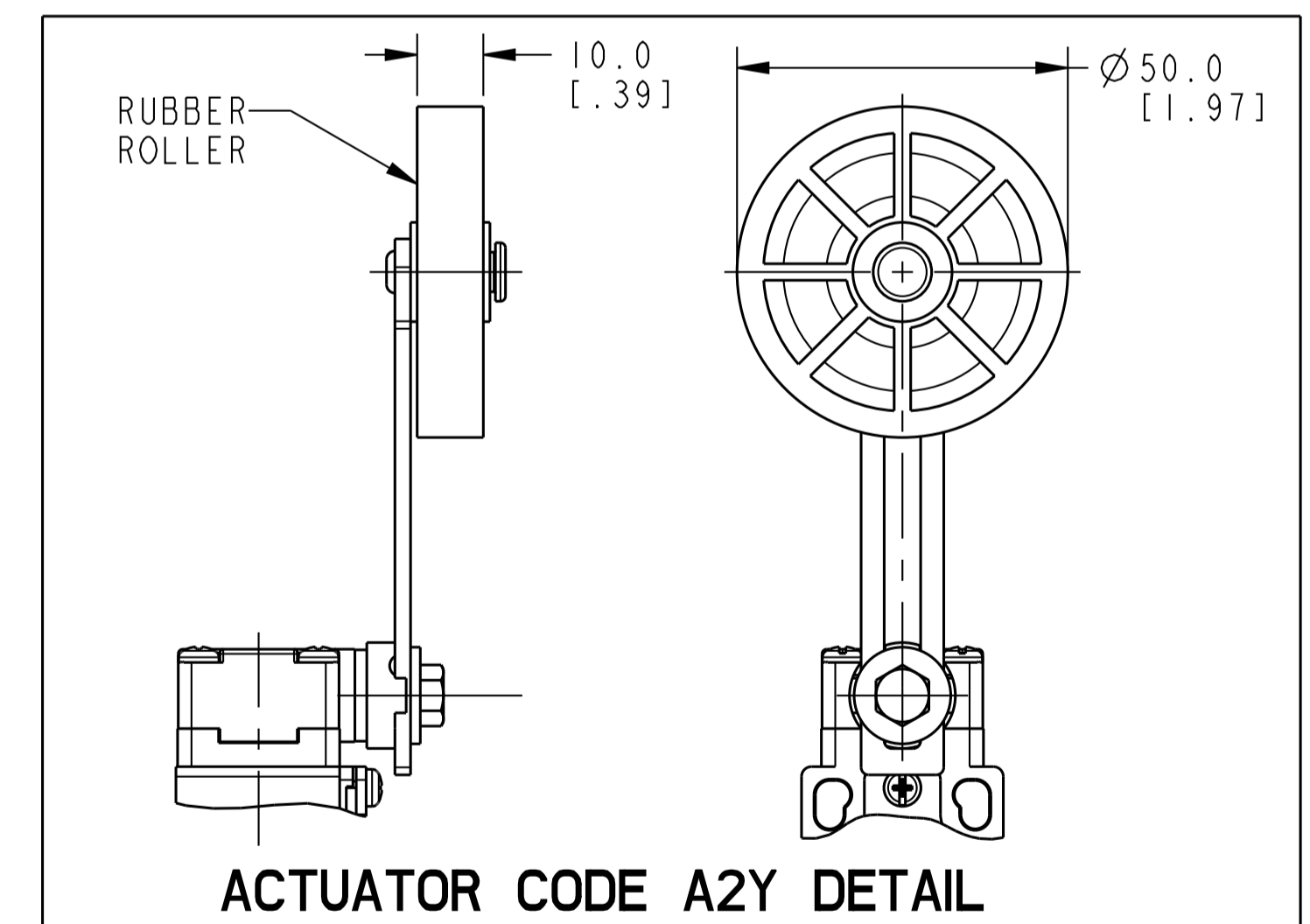
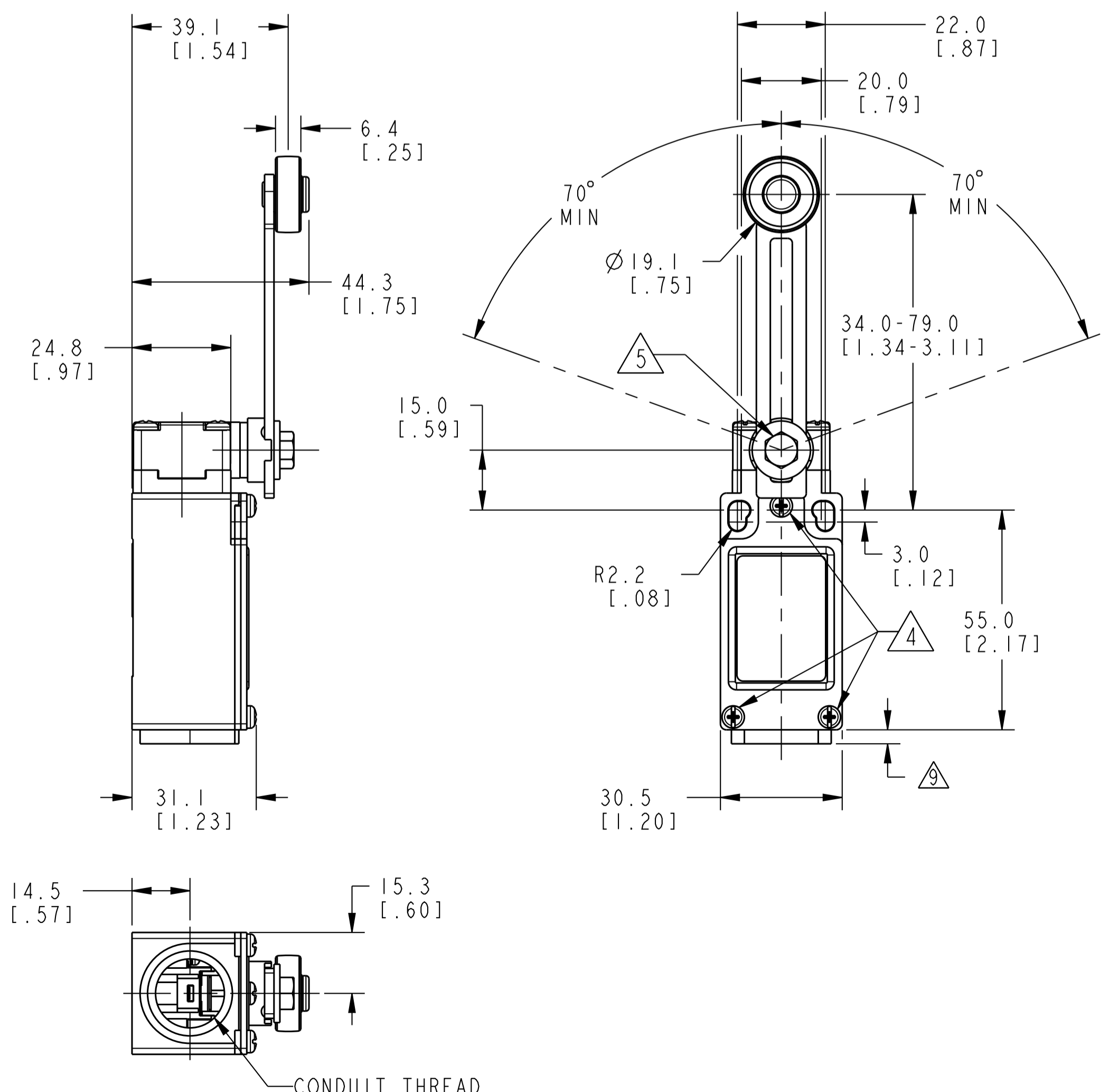
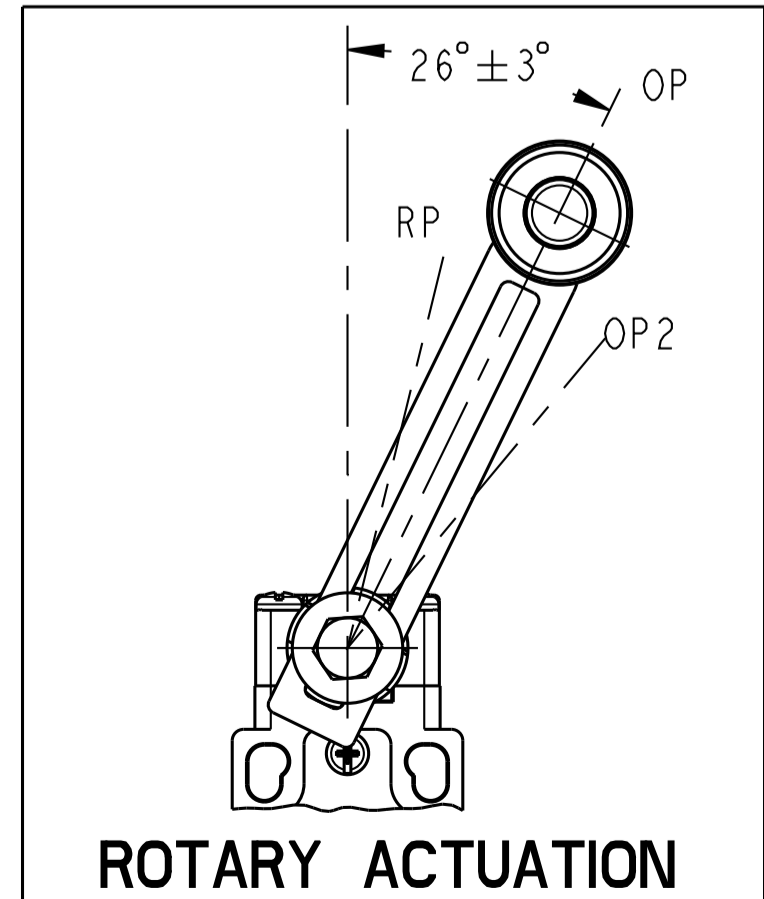
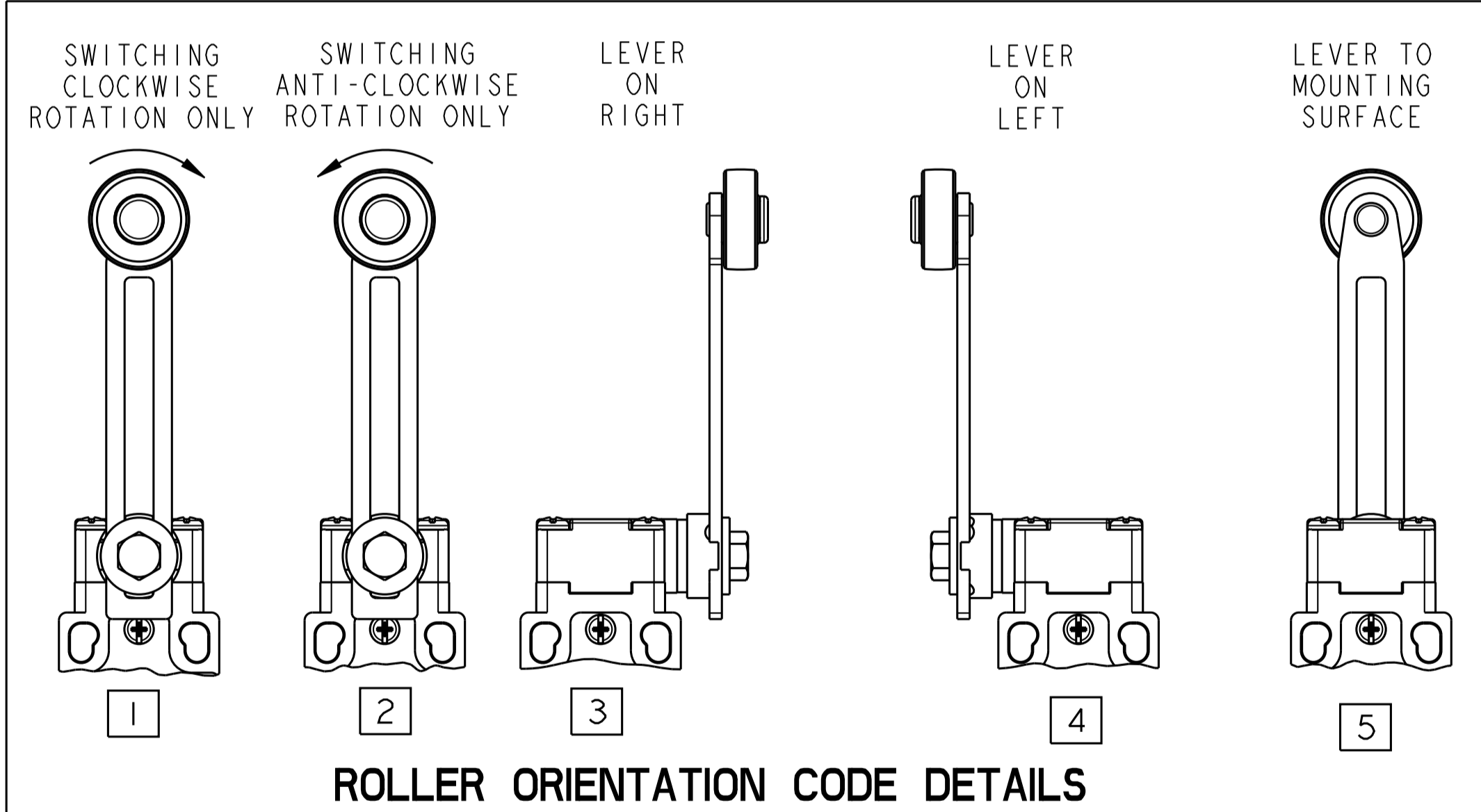
PART NUMBER
GL SERIES CHART 4

| | | | | | |
|--------------------------------|---|---|---|---|---|
| <p>SNAP ACTION CONTACTS</p> | <p>SLOW ACTION CONTACTS BREAK BEFORE MAKE</p> | <p>SLOW ACTION CONTACTS MAKE BEFORE BREAK</p> | <p>SLOW ACTION CONTACTS 2 NORMALLY OPEN</p> | <p>SLOW ACTION CONTACTS 2 NORMALLY CLOSED</p> | <p>CONTACT BLOCK DIAGRAM TERMINAL DESIGNATION TO EN50013</p> |
| <p>TOTAL TRAVEL = 70° MIN.</p> | <p>TOTAL TRAVEL = 70° MIN.</p> | <p>TOTAL TRAVEL = 70° MIN.</p> | <p>TOTAL TRAVEL = 70° MIN.</p> | <p>TOTAL TRAVEL = 70° MIN.</p> | <p>NOMINAL TRAVELS AND RELATED TERMINALS</p> <p>CONTACT CLOSED</p> <p>CONTACT OPEN</p> <p>POSITIVE OPENING TO IEC 947-5-1</p> |
| <p>120 (1.1)</p> | <p>110 (1.0)</p> | <p>110 (1.0)</p> | <p>110 (1.0)</p> | <p>110 (1.0)</p> | <p>NORMAL OPERATING TORQUE MAX Nmm (in. lbs)</p> |
| <p>140 (1.3)</p> | <p>160 (1.5)</p> | <p>170 (1.6)</p> | <p>150 (1.4)</p> | <p>150 (1.4)</p> | <p>MAXIMUM DISCONNECT TORQUE Nmm (in. lbs)</p> |



MIN. OPERATING VELOCITY = 0.26 rad/s
MAX. OPERATING VELOCITY = 25 rad/s
MAX. OPERATING FREQUENCY = 250 OPS/MINUTE

SIDE ROTARY ACTUATOR CODE A2, A2A, A2B & A2Y



| | | | | |
|----------------------|-----------|-------------------|---------------|-----|
| Honeywell | | | | |
| SWITCH, LIMIT | | | | |
| TITLE | | | | |
| SIZE | CAGE CODE | DWG NO | TYPE | REV |
| A1 | 91929 | GL SERIES CHART 4 | I | A |
| SCALE | 1:1 | REF WT: | SHEET 3 of 11 | |

PART NUMBER
GL SERIES CHART 4

| | | | | |
|--|--|--|--|--|
| <p>SNAP ACTION CONTACTS</p> | <p>SLOW ACTION CONTACTS BREAK BEFORE MAKE</p> | <p>SLOW ACTION CONTACTS MAKE BEFORE BREAK</p> | <p>SLOW ACTION CONTACTS 2 NORMALLY OPEN</p> | <p>SLOW ACTION CONTACTS 2 NORMALLY CLOSED</p> |
| <p>21-22 13-14 FP OP DT=11.5° RP=14.5° TOTAL TRAVEL = 70° MIN.</p> | <p>21-22 13-14 FP OP OP2 36.5° TOTAL TRAVEL = 70° MIN.</p> | <p>21-22 13-14 FP OP OP2 50.5° TOTAL TRAVEL = 70° MIN.</p> | <p>13-14 23-24 FP OP 39° TOTAL TRAVEL = 70° MIN.</p> | <p>21-22 11-12 FP OP 46.5° TOTAL TRAVEL = 70° MIN.</p> |
| 120 (1.1) | 110 (1.0) | 110 (1.0) | 110 (1.0) | 110 (1.0) |
| 140 (1.3) | 160 (1.5) | 170 (1.6) | 150 (1.4) | 150 (1.4) |

CONTACT BLOCK DIAGRAM TERMINAL DESIGNATION TO EN50013

NOMINAL TRAVELS AND RELATED TERMINALS

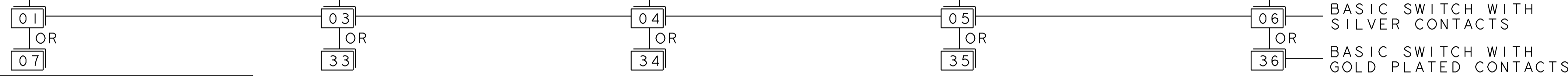
CONTACT CLOSED

CONTACT OPEN

POSITIVE OPENING TO IEC 947-5-1

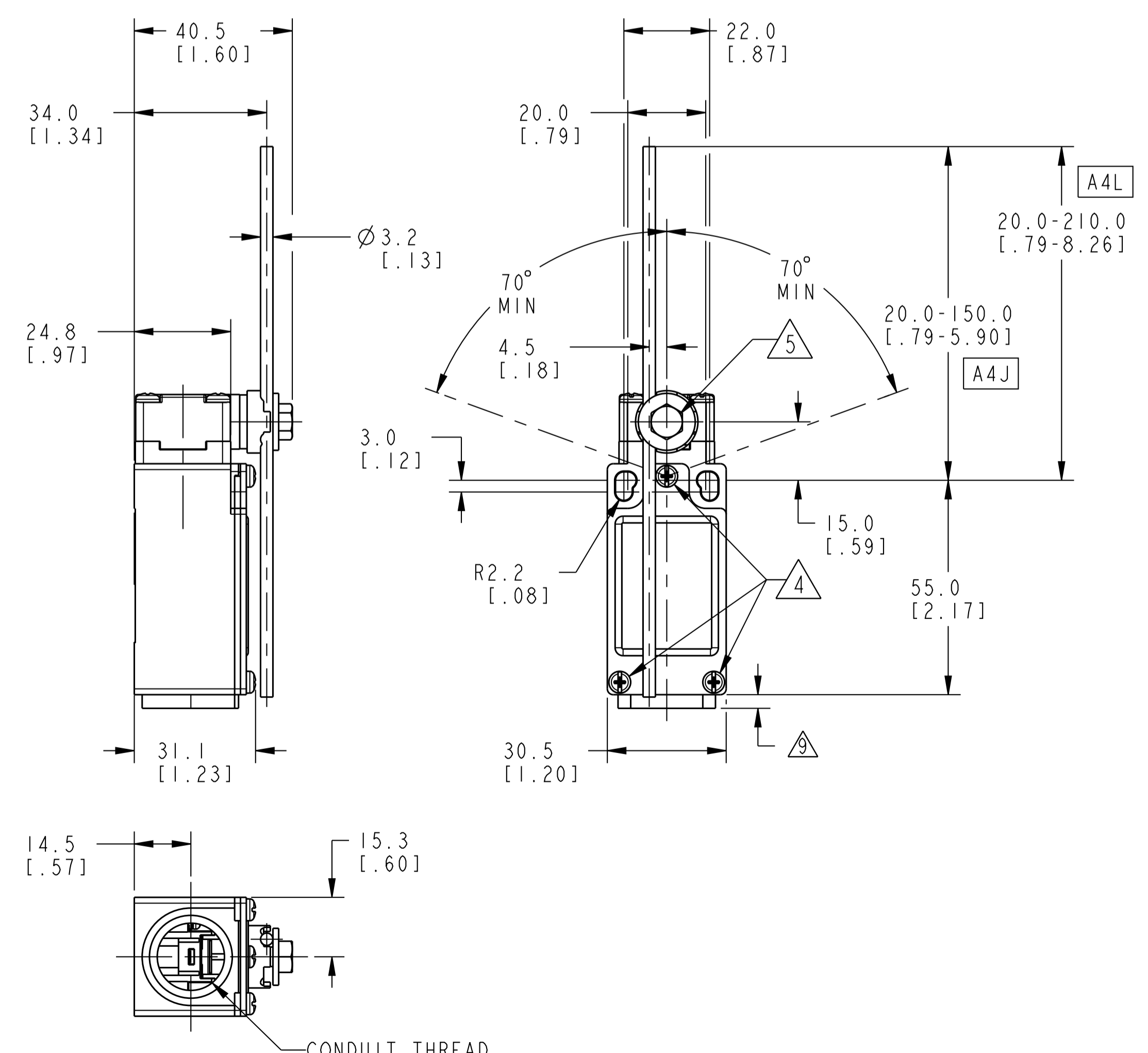
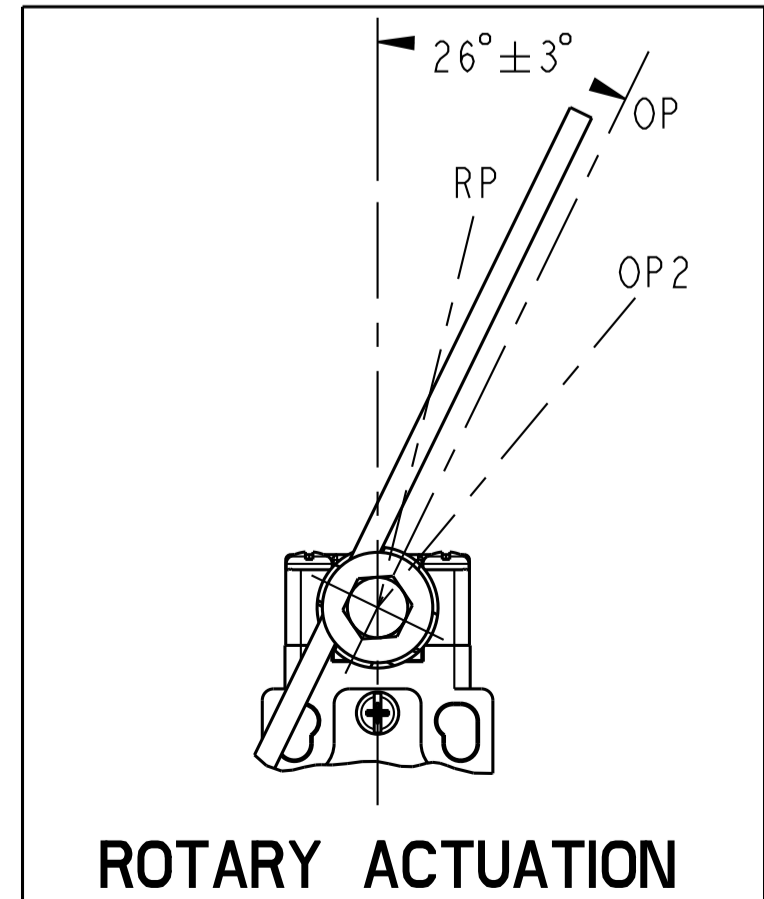
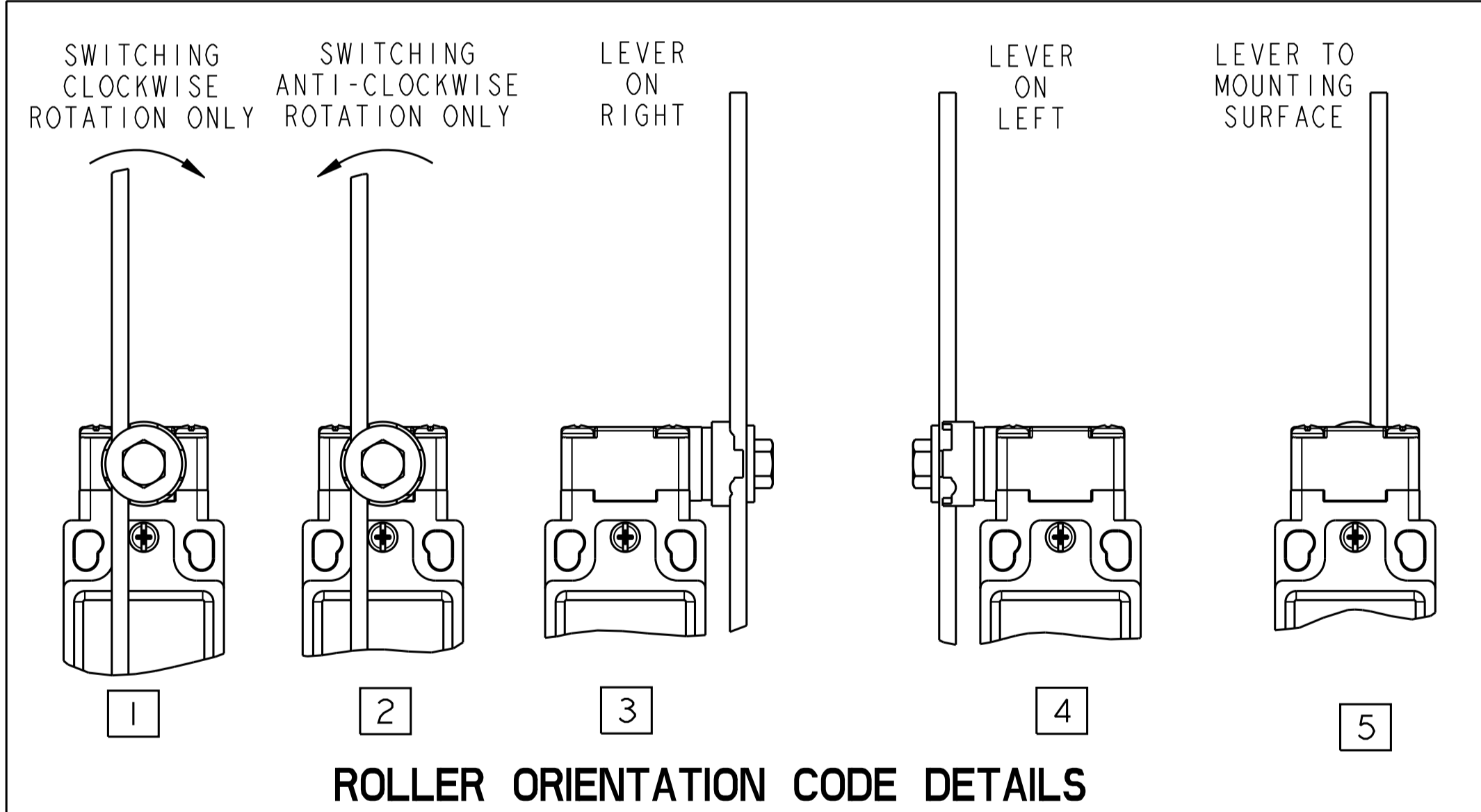
NORMAL OPERATING TORQUE MAX
Nmm
(in. lbs)

MAXIMUM DISCONNECT TORQUE
Nmm
(in. lbs)



MIN. OPERATING VELOCITY = 0.26 rad/s
MAX. OPERATING VELOCITY = 25 rad/s
MAX. OPERATING FREQUENCY = 250 OPS/MINUTE

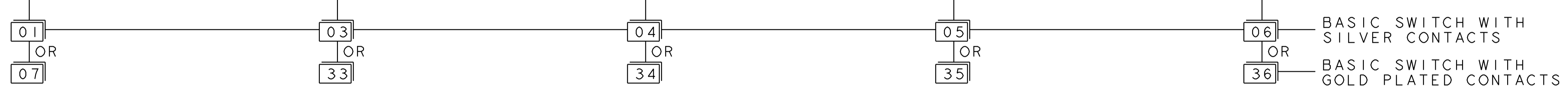
SIDE ROTARY ACTUATOR CODE A4J & A4L



| | | | | |
|----------------------|-----------|-------------------|---------------|-----|
| Honeywell | | | | |
| SWITCH, LIMIT | | | | |
| SIZE | CAGE CODE | DWG NO | TYPE | REV |
| A1 | 91929 | GL SERIES CHART 4 | I | A |
| SCALE | 1:1 | REF WT: | SHEET 4 of 11 | |

PART NUMBER
GL SERIES CHART 4

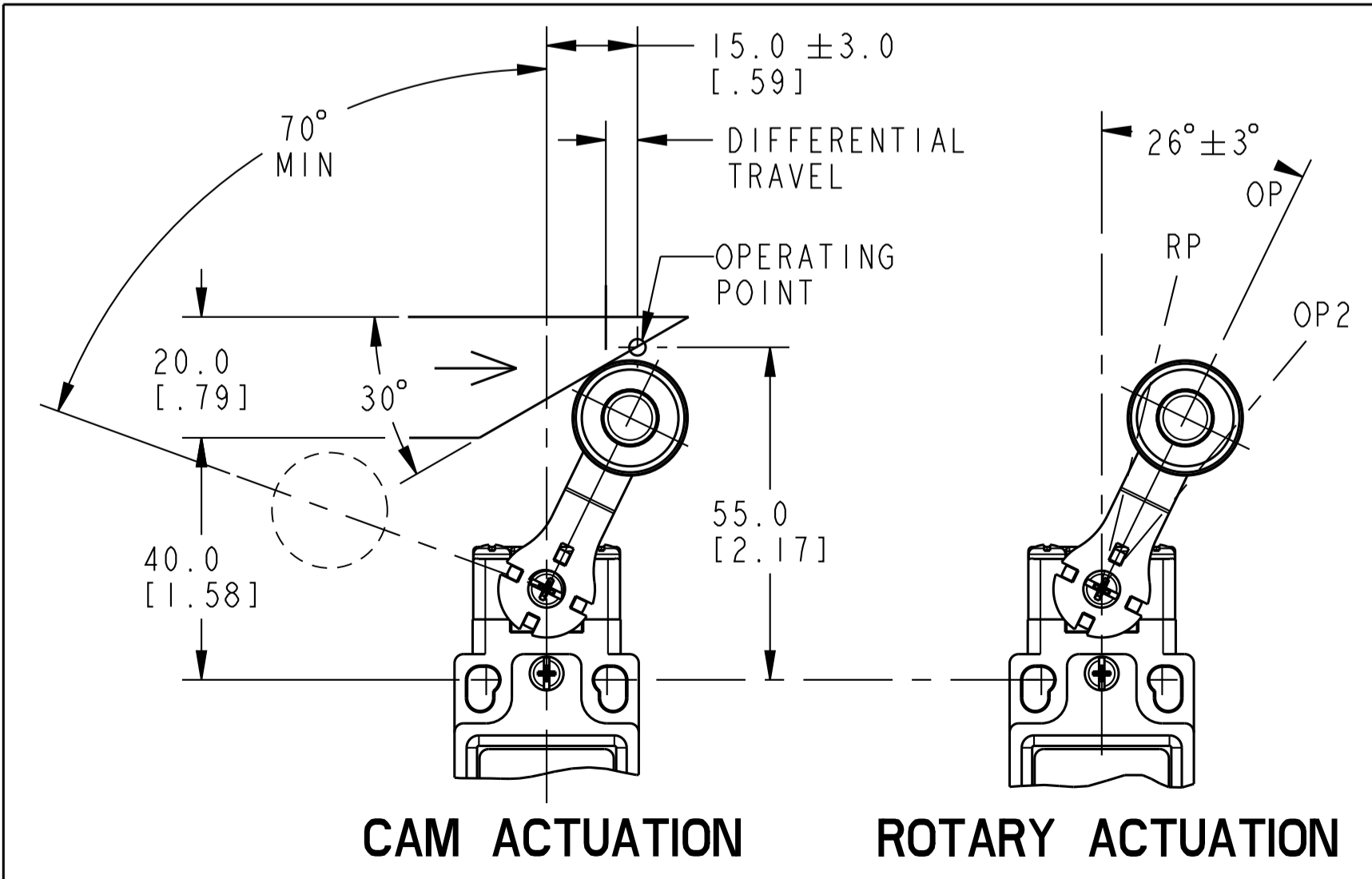
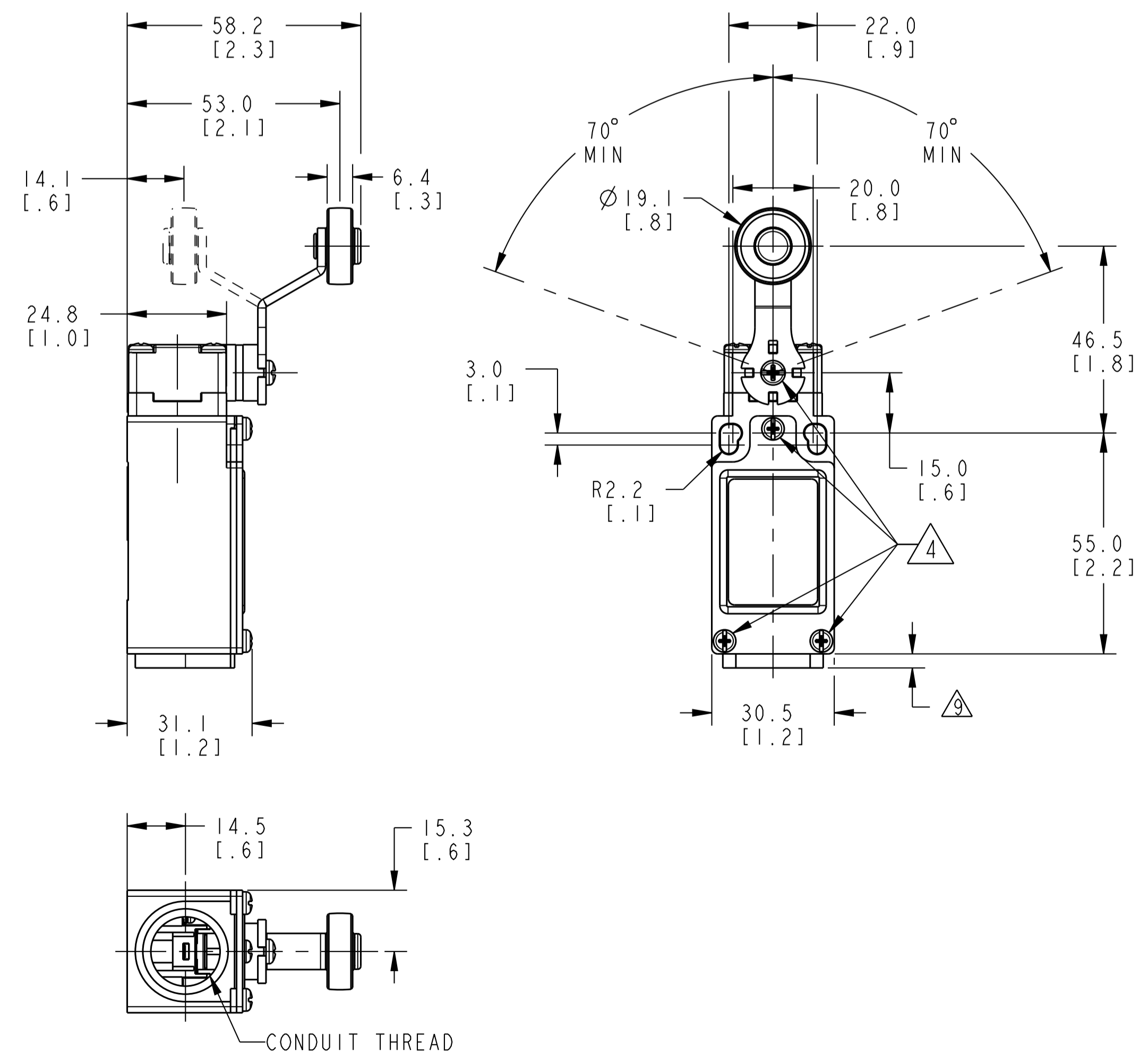
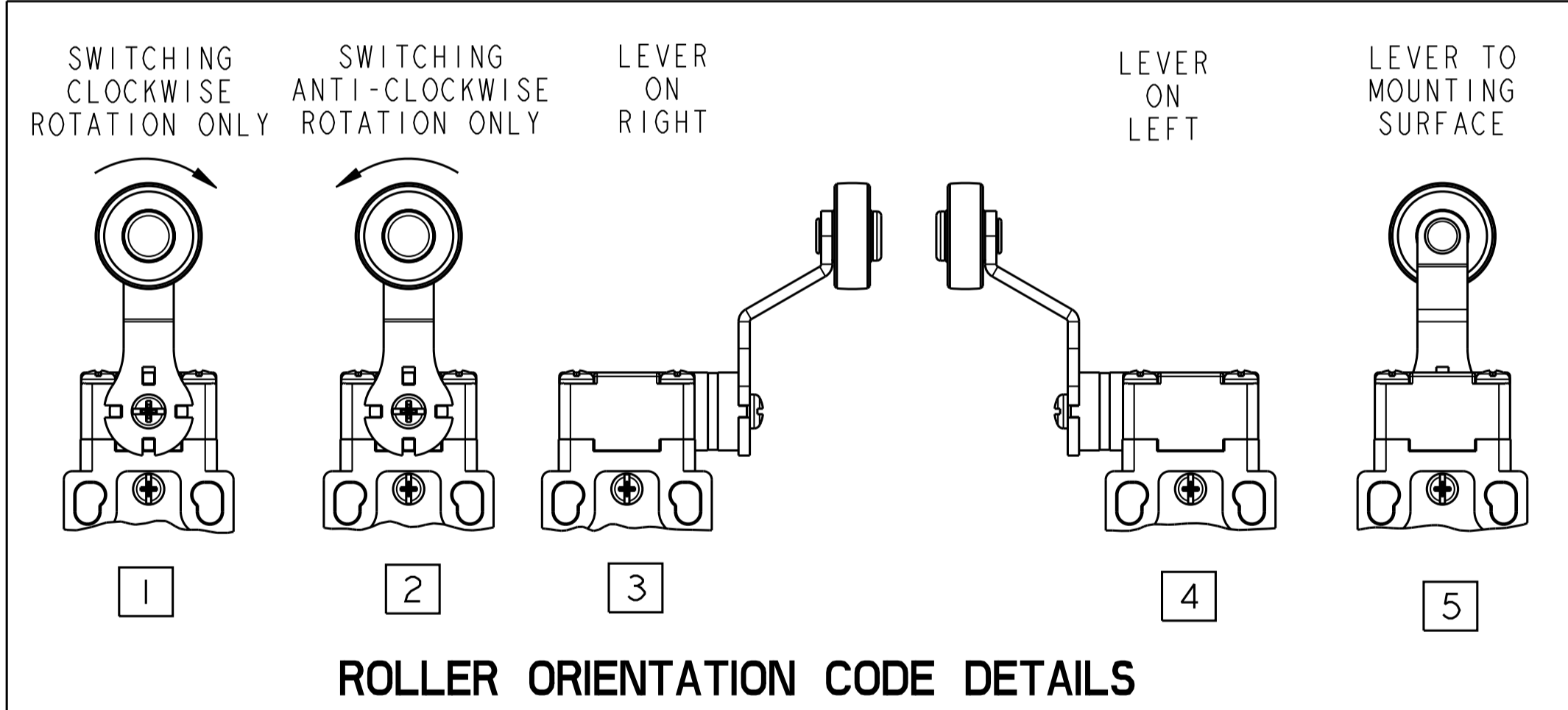
| | | | | | |
|--|---|---|---|---|---|
| <p>SNAP ACTION CONTACTS</p> | <p>SLOW ACTION CONTACTS BREAK BEFORE MAKE</p> | <p>SLOW ACTION CONTACTS MAKE BEFORE BREAK</p> | <p>SLOW ACTION CONTACTS 2 NORMALLY OPEN</p> | <p>SLOW ACTION CONTACTS 2 NORMALLY CLOSED</p> | <p>CONTACT BLOCK DIAGRAM TERMINAL DESIGNATION TO EN50013</p> |
| <p>RP=5.2mm FP=0° OP=26° RP=14.5° DT=11.5° * =54° TOTAL TRAVEL=70° MIN</p> | <p>FP=0° OP=26° * =36.5° OP2=39° TOTAL TRAVEL=70° MIN</p> | <p>FP=0° OP=26° * =50.5° OP2=39° TOTAL TRAVEL=70° MIN</p> | <p>FP=0° OP=36° TOTAL TRAVEL=70° MIN</p> | <p>FP=0° OP=26° * =46.5° TOTAL TRAVEL=70° MIN</p> | <p>NOMINAL TRAVELS AND RELATED TERMINALS</p> <p>CONTACT CLOSED CONTACT OPEN * POSITIVE OPENING TO IEC 947-5-1</p> |
| <p>120 (1.1)</p> | <p>110 (1.0)</p> | <p>110 (1.0)</p> | <p>110 (1.0)</p> | <p>110 (1.0)</p> | <p>NORMAL OPERATING TORQUE MAX Nmm (in. lbs)</p> |
| <p>140 (1.3)</p> | <p>160 (1.5)</p> | <p>170 (1.6)</p> | <p>150 (1.4)</p> | <p>150 (1.4)</p> | <p>MAXIMUM DISCONNECT TORQUE Nmm (in. lbs)</p> |



MIN. OPERATING VELOCITY = 2.0mm/s
MAX. OPERATING VELOCITY = 200mm/s
MAX. OPERATING FREQUENCY = 250 OPS/MINUTE

(THESE LIMITS APPLY TO CAM ACTUATION AS SHOWN IN THE BELOW DIAGRAMS ONLY)

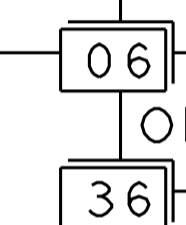
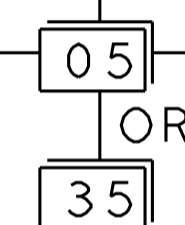
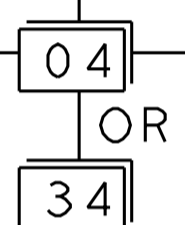
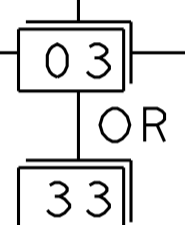
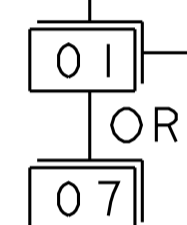
SIDE ROTARY ACTUATOR CODE A5A & A5B



| | | | | |
|----------------------|-----------|-------------------|---------------|-----|
| Honeywell | | | | |
| SWITCH, LIMIT | | | | |
| TITLE | CAGE CODE | DWG NO | TYPE | REV |
| AI | 91929 | GL SERIES CHART 4 | I | A |
| SCALE | 1:1 | REF WT: | SHEET 5 of 11 | |

PART NUMBER
GL SERIES CHART 4

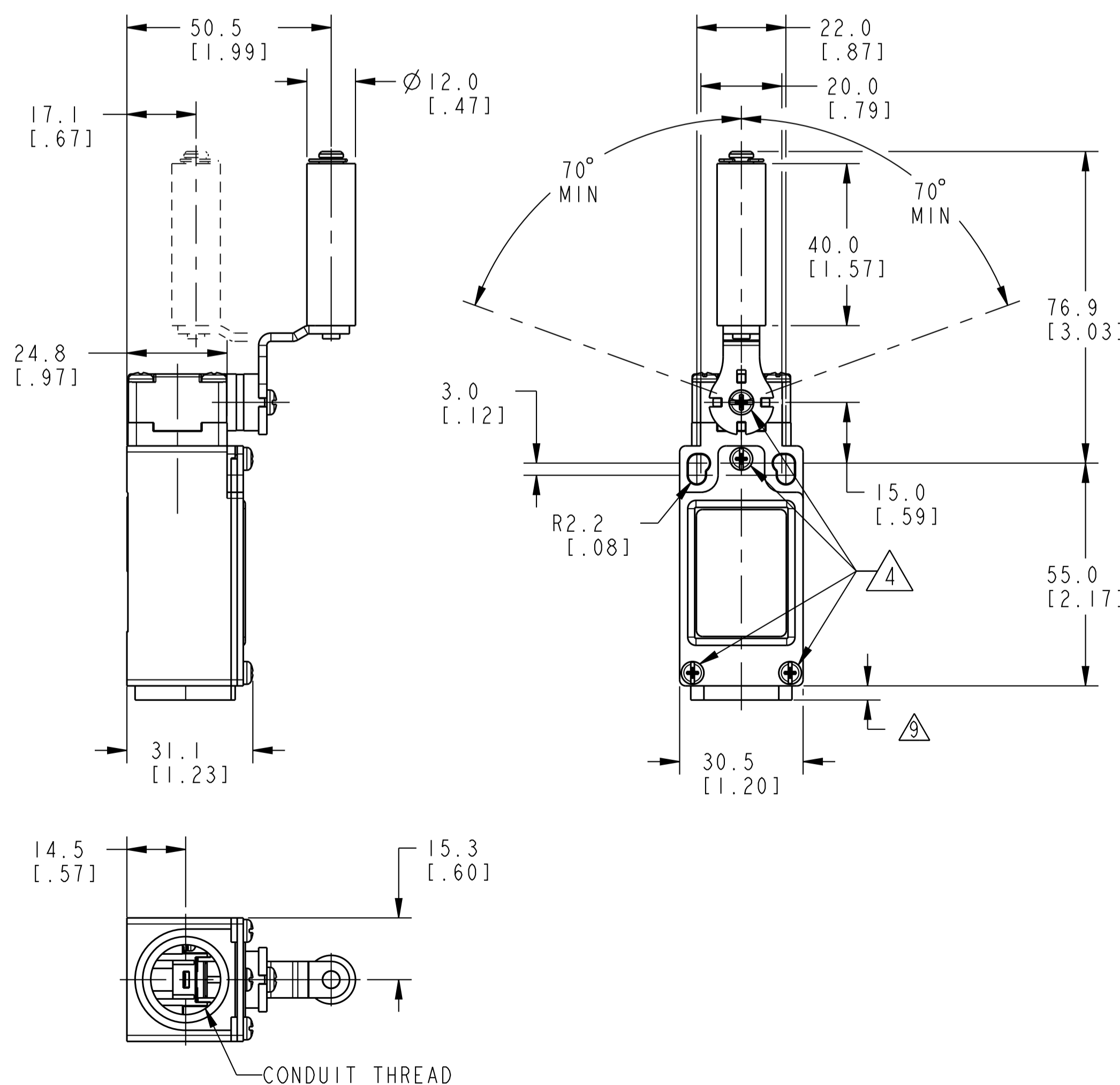
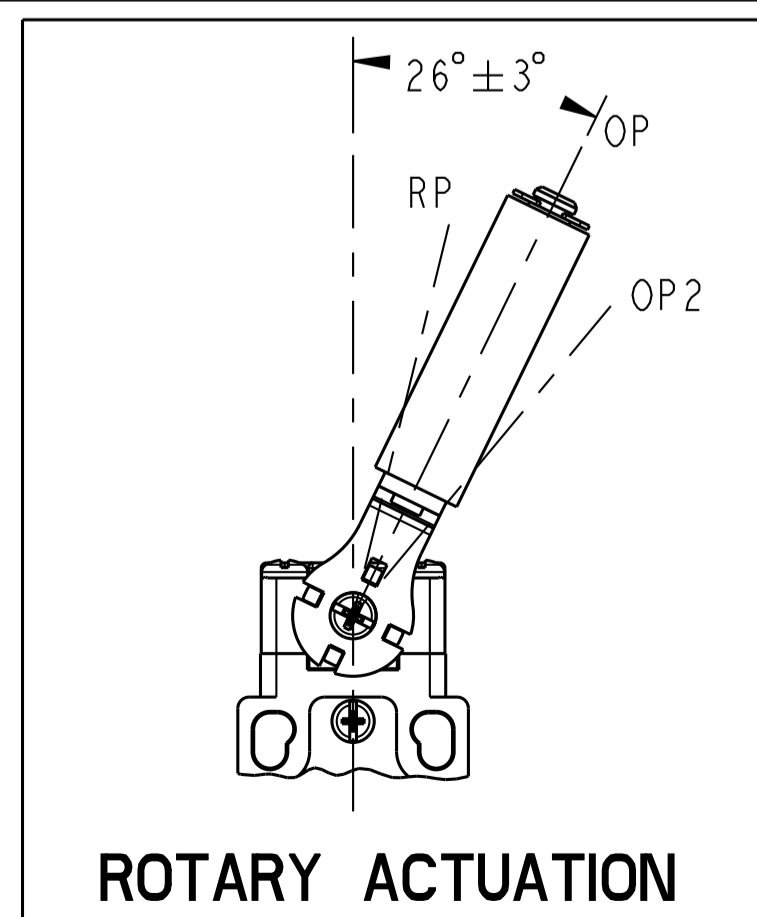
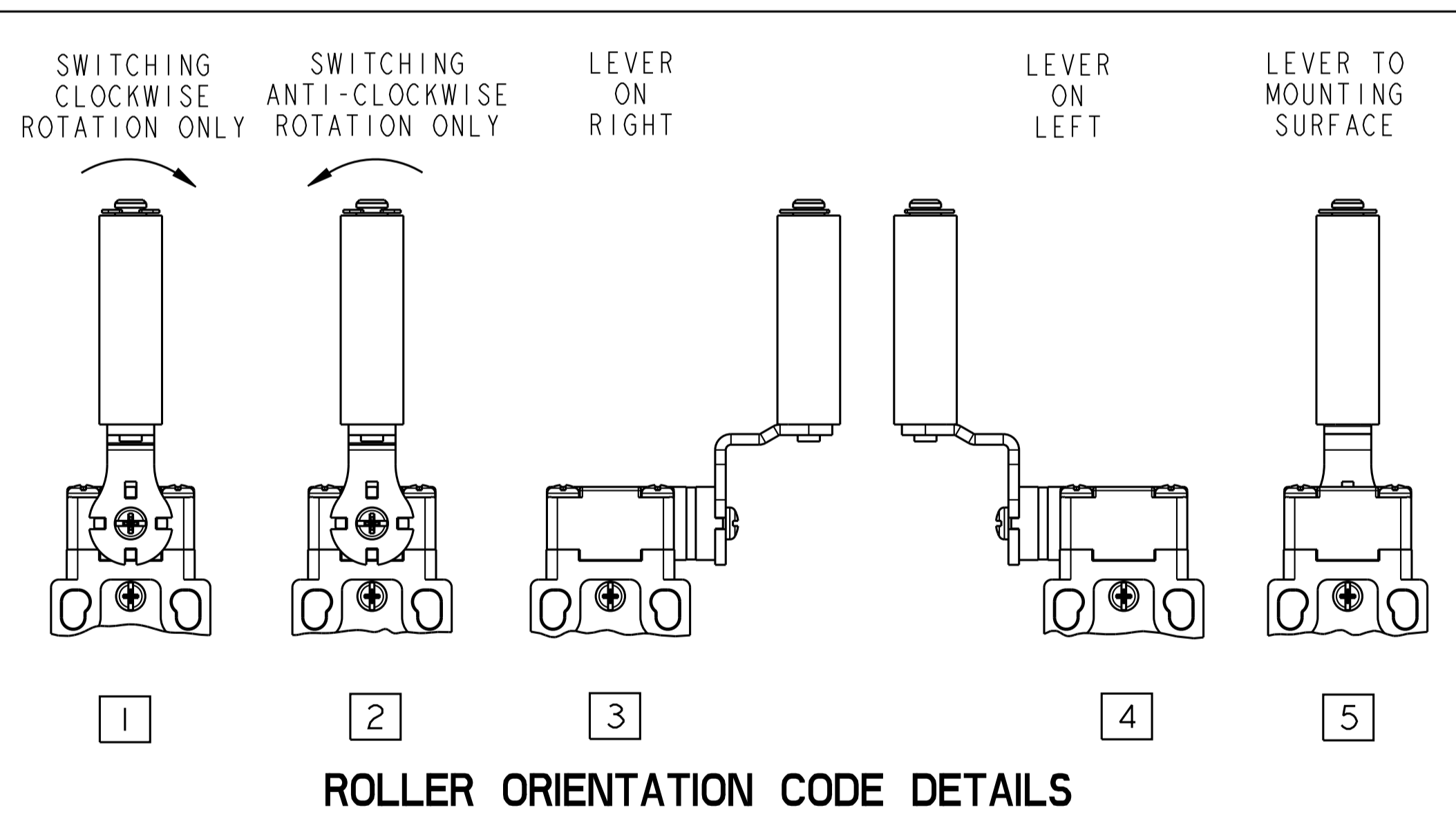
| | | | | | |
|--------------------------------|---|---|---|---|---|
| <p>SNAP ACTION CONTACTS</p> | <p>SLOW ACTION CONTACTS BREAK BEFORE MAKE</p> | <p>SLOW ACTION CONTACTS MAKE BEFORE BREAK</p> | <p>SLOW ACTION CONTACTS 2 NORMALLY OPEN</p> | <p>SLOW ACTION CONTACTS 2 NORMALLY CLOSED</p> | <p>CONTACT BLOCK DIAGRAM TERMINAL DESIGNATION TO EN50013</p> |
| <p>TOTAL TRAVEL = 70° MIN.</p> | <p>TOTAL TRAVEL = 70° MIN.</p> | <p>TOTAL TRAVEL = 70° MIN.</p> | <p>TOTAL TRAVEL = 70° MIN.</p> | <p>TOTAL TRAVEL = 70° MIN.</p> | <p>NOMINAL TRAVELS AND RELATED TERMINALS</p> <p>CONTACT CLOSED CONTACT OPEN • POSITIVE OPENING TO IEC 947-5-1</p> |
| <p>120 (1.1)</p> | <p>110 (1.0)</p> | <p>110 (1.0)</p> | <p>110 (1.0)</p> | <p>110 (1.0)</p> | <p>NORMAL OPERATING TORQUE MAX Nmm (in. lbs)</p> |
| <p>140 (1.3)</p> | <p>160 (1.5)</p> | <p>170 (1.6)</p> | <p>150 (1.4)</p> | <p>150 (1.4)</p> | <p>MAXIMUM DISCONNECT TORQUE Nmm (in. lbs)</p> |



BASIC SWITCH WITH
SILVER CONTACTS
OR
BASIC SWITCH WITH
GOLD PLATED CONTACTS

MIN. OPERATING VELOCITY = 0.26 rad/s
MAX. OPERATING VELOCITY = 25 rad/s
MAX. OPERATING FREQUENCY = 250 OPS/MINUTE

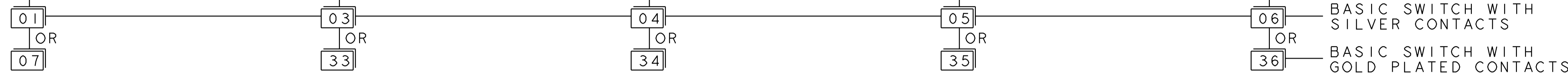
SIDE ROTARY
ACTUATOR CODE A9A



| | | | | |
|-----------------------------------|---------------------------|------------------------------------|------------------|-----------------|
| Honeywell | | | | |
| TITLE SWITCH, LIMIT | | | | |
| SIZE A1 | CAGE CODE 91929 | DWG NO GL SERIES CHART 4 | TYPE I | REV A |
| SCALE 1:1 | REF WT: | SHEET 6 of 11 | | |

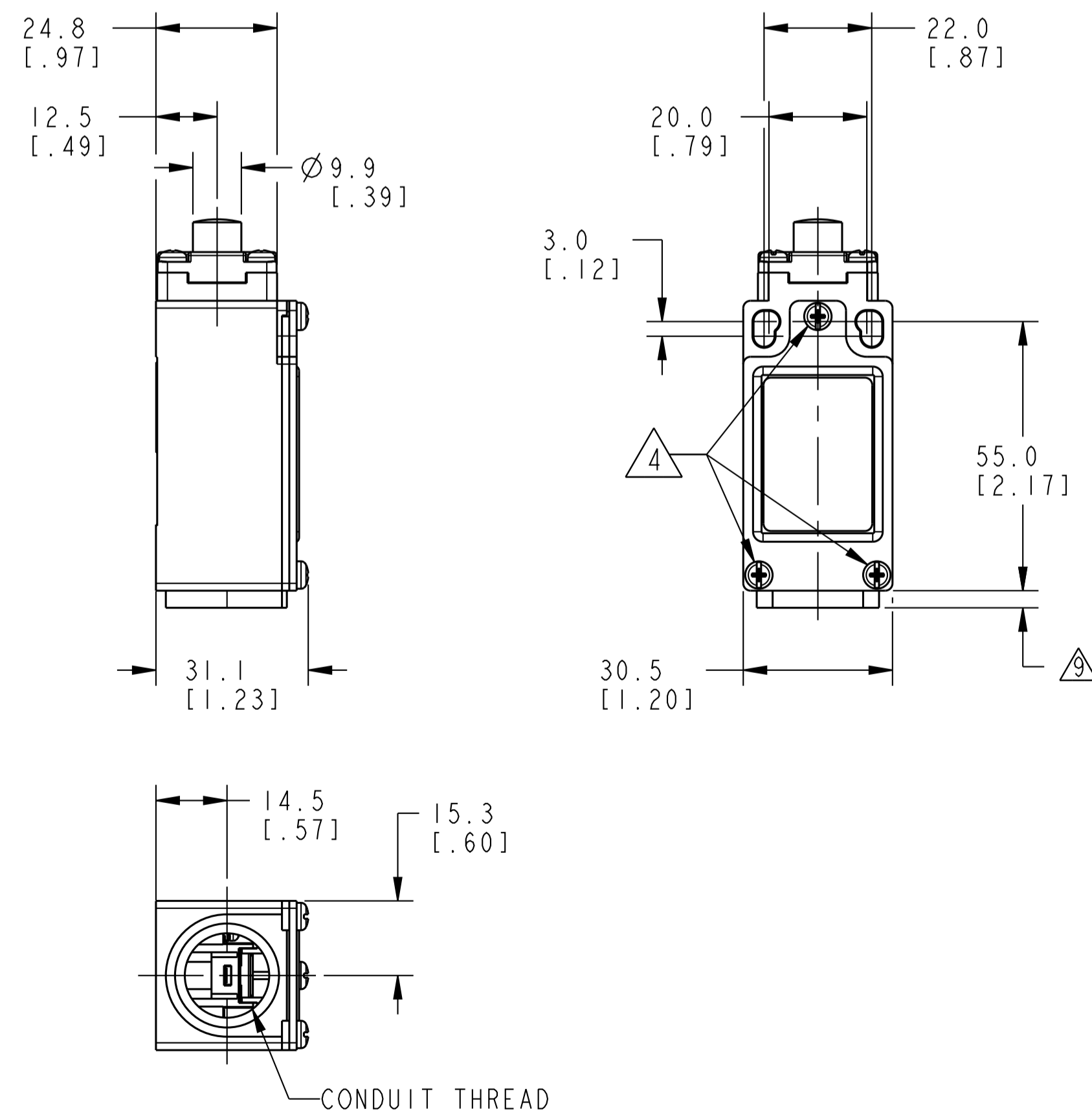
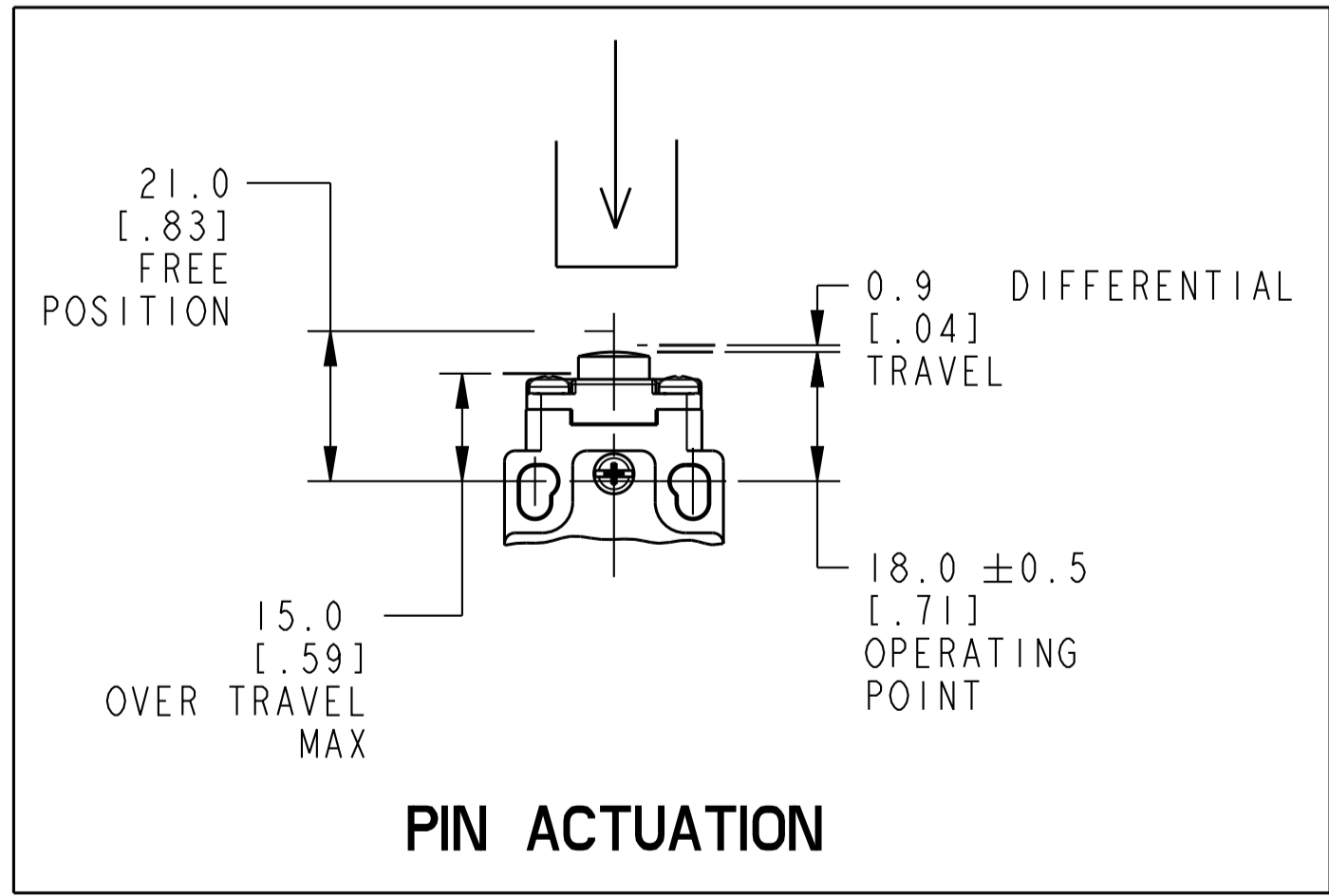
PART NUMBER
GL SERIES CHART 4

| | | | | | |
|---|--|--|---|---|---|
| <p>SNAP ACTION CONTACTS</p> | <p>SLOW ACTION CONTACTS BREAK BEFORE MAKE</p> | <p>SLOW ACTION CONTACTS MAKE BEFORE BREAK</p> | <p>SLOW ACTION CONTACTS 2 NORMALLY OPEN</p> | <p>SLOW ACTION CONTACTS 2 NORMALLY CLOSED</p> | <p>CONTACT BLOCK DIAGRAM TERMINAL DESIGNATION TO EN50013</p> |
| <p>21mm 21-22 18mm 13-14 16mm FP 15mm OT (MAX) DT=0.9mm RP=18.9mm</p> | <p>21mm 21-22 18mm 13-14 17mm OP 15mm OT (max)</p> | <p>21mm 21-22 18mm 13-14 17mm OP 15mm OT (max)</p> | <p>21mm 13-14 17mm 23-24 15mm OP OT (max)</p> | <p>21mm 21-22 18mm 11-12 15mm OP OT (max)</p> | <p>NOMINAL TRAVELS AND RELATED TERMINALS</p> <p>CONTACT CLOSED</p> <p>CONTACT OPEN</p> <p>POSITIVE OPENING TO IEC 947-5-1</p> |
| <p>16 (3.6)</p> | <p>14 (3.2)</p> | <p>16 (3.6)</p> | <p>13 (2.9)</p> | <p>13 (2.9)</p> | <p>NORMAL OPERATING FORCE MAX N (1bf)</p> |
| <p>23 (5.2)</p> | <p>24 (5.4)</p> | <p>27 (6.1)</p> | <p>23 (5.2)</p> | <p>23 (5.2)</p> | <p>MAXIMUM DISCONNECT FORCE N (1bf)</p> |


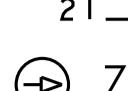
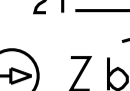
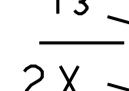

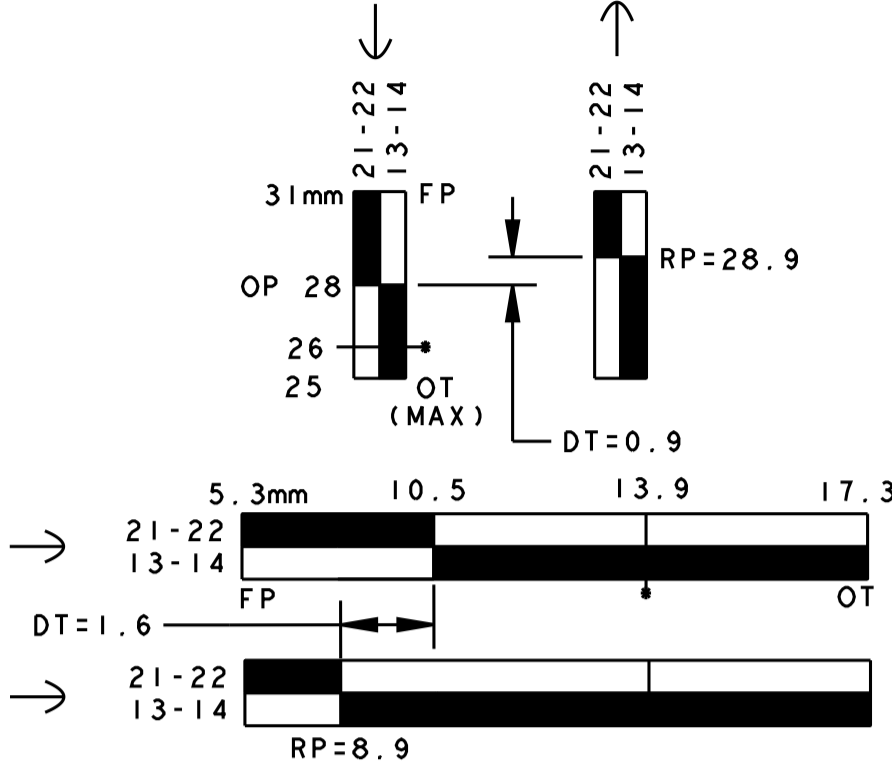
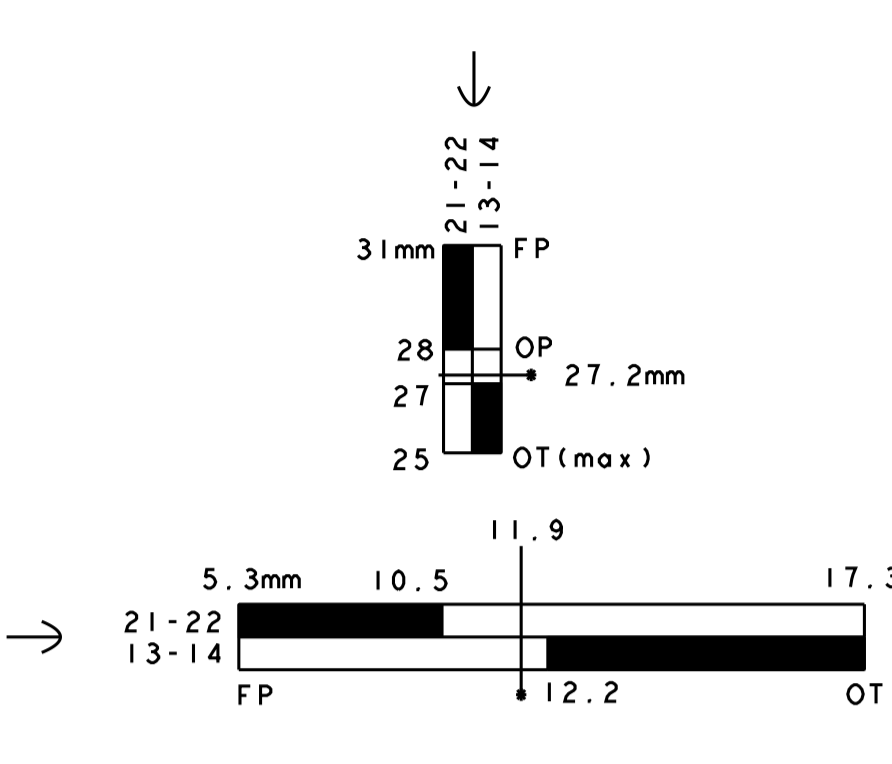
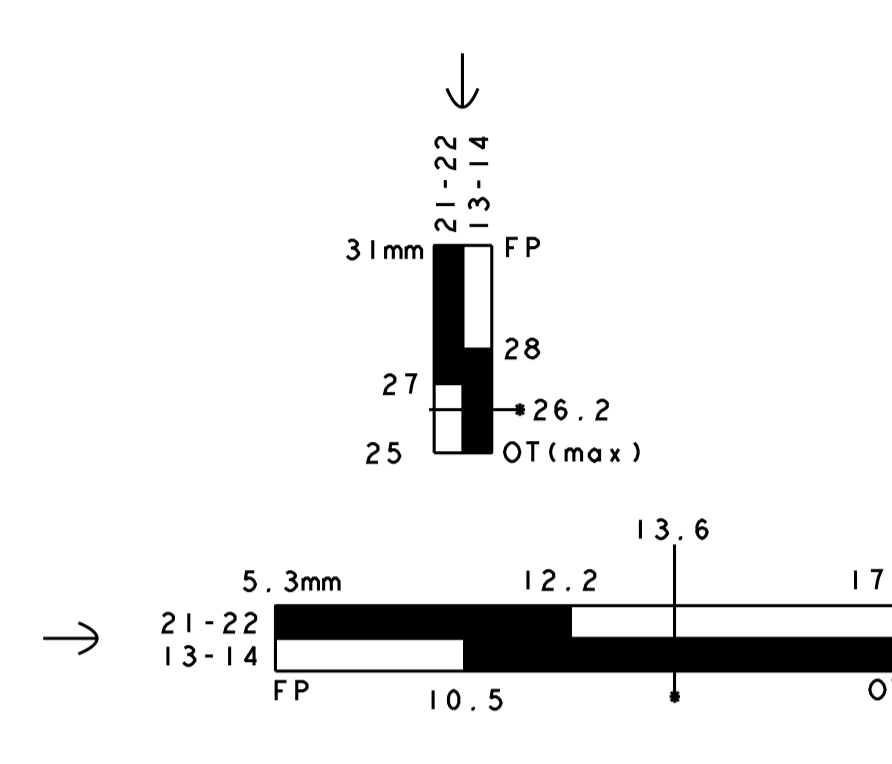
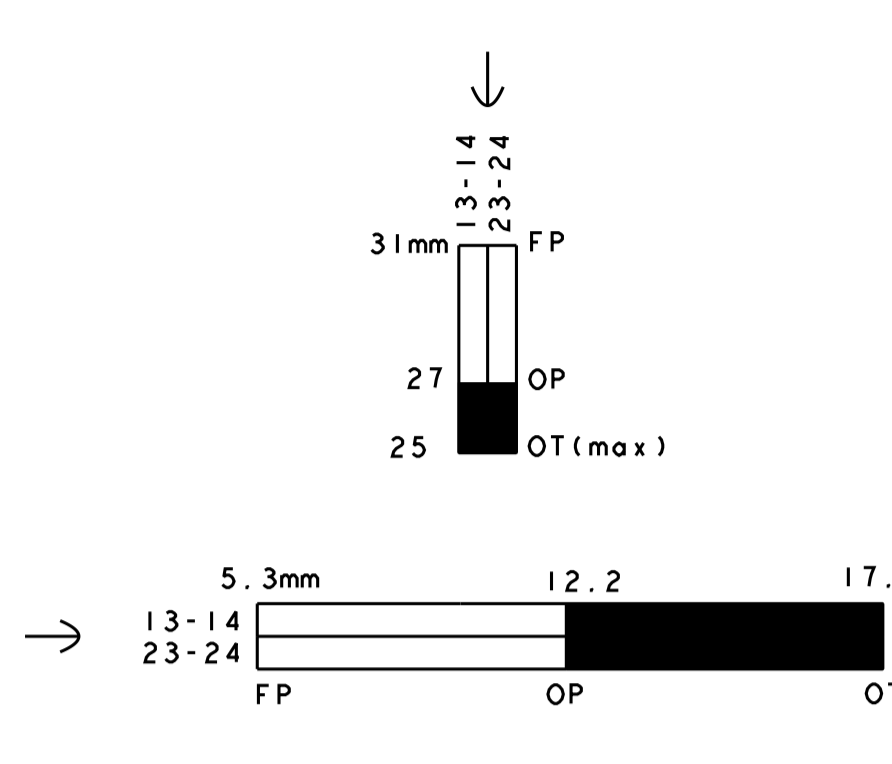
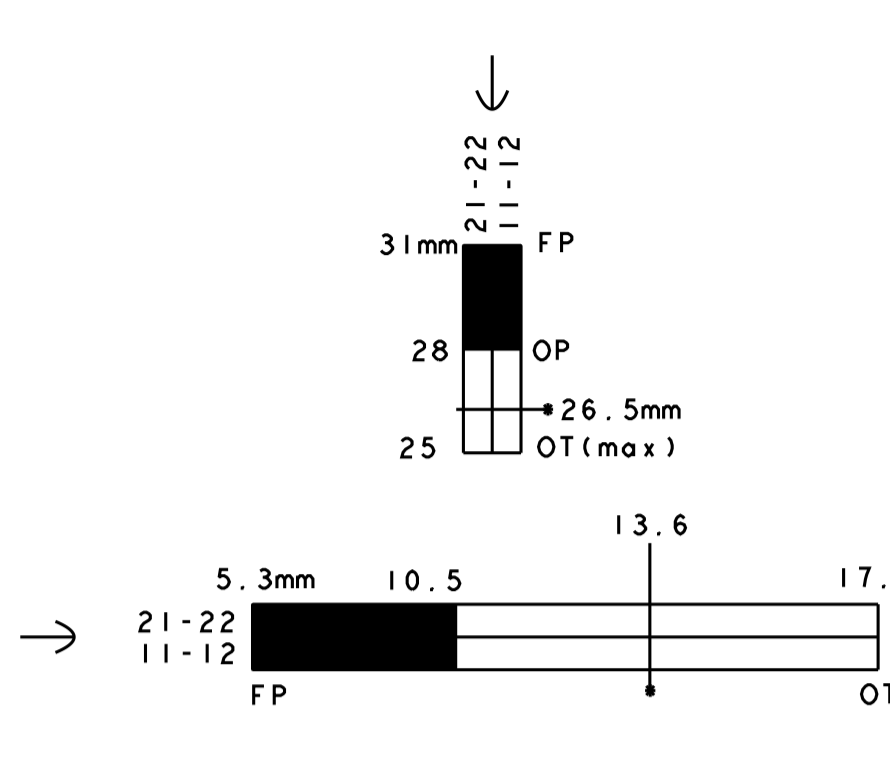
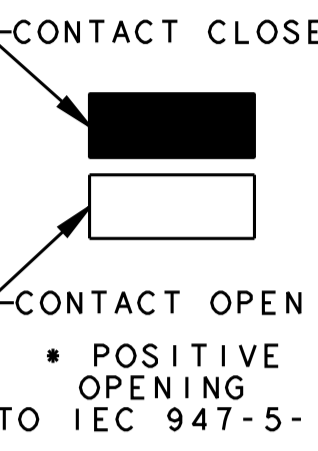


MIN. OPERATING VELOCITY = 1.0mm/s
 MAX. OPERATING VELOCITY = 100mm/s
 MAX. OPERATING FREQUENCY = 250 OPS/MINUTE

TOP PIN PLUNGER
ACTUATOR CODE B



| | | | | |
|-----------------------------------|---------------------------|------------------------------------|------------------|-----------------|
| Honeywell | | | | |
| TITLE SWITCH, LIMIT | | | | |
| SIZE A1 | CAGE CODE 91929 | DWG NO GL SERIES CHART 4 | TYPE I | REV A |
| SCALE 1:1 | REF WT: | SHEET 7 of 11 | | |

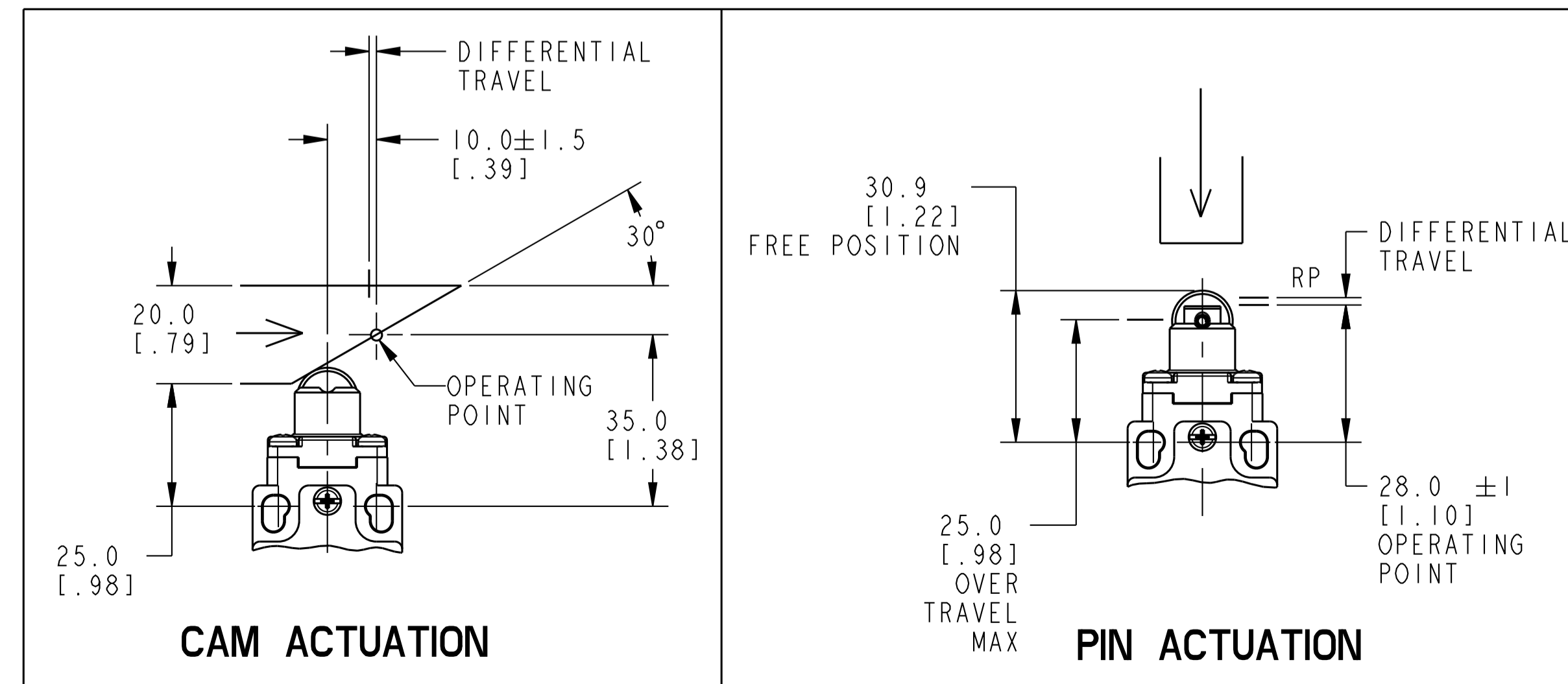
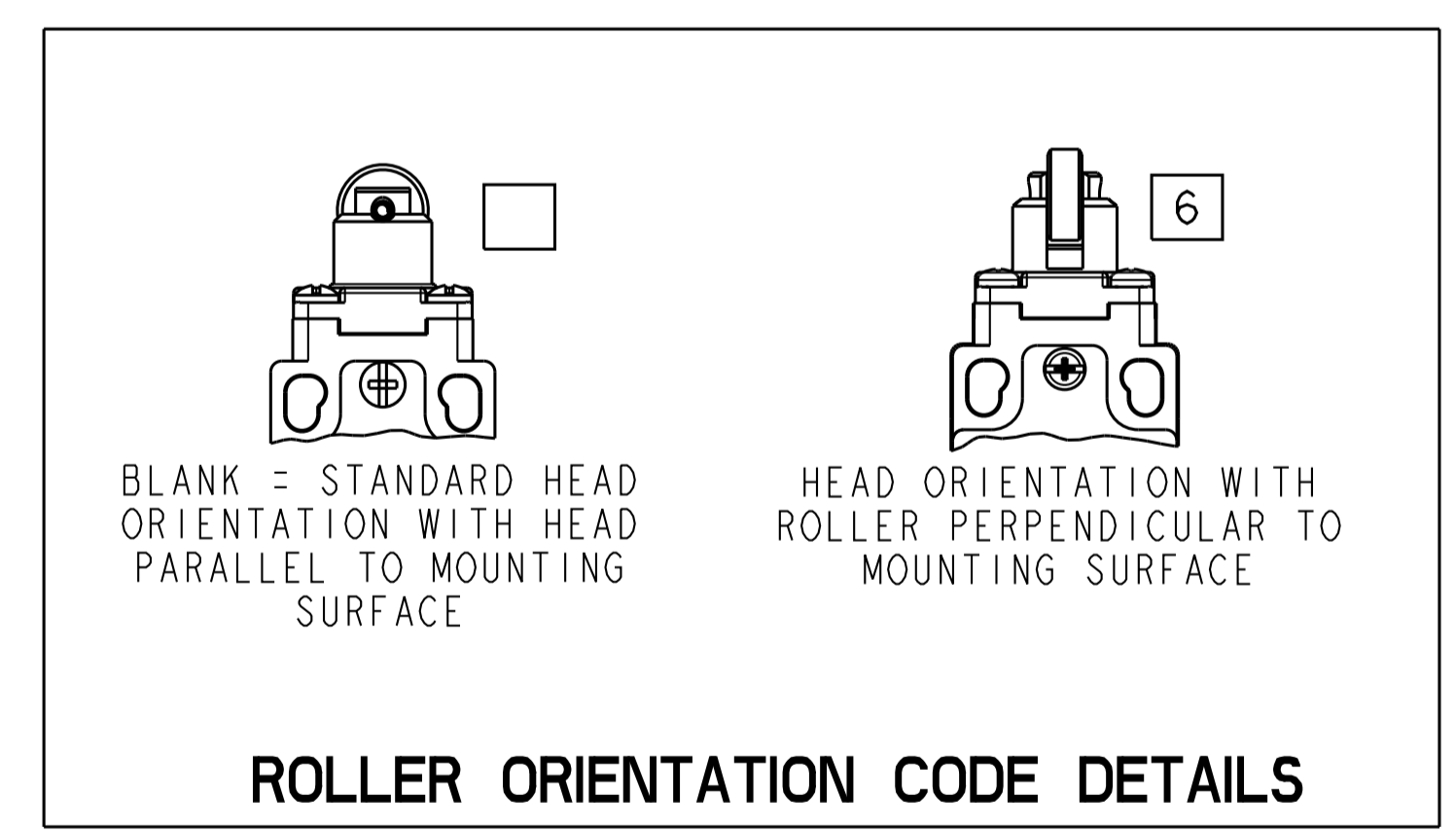
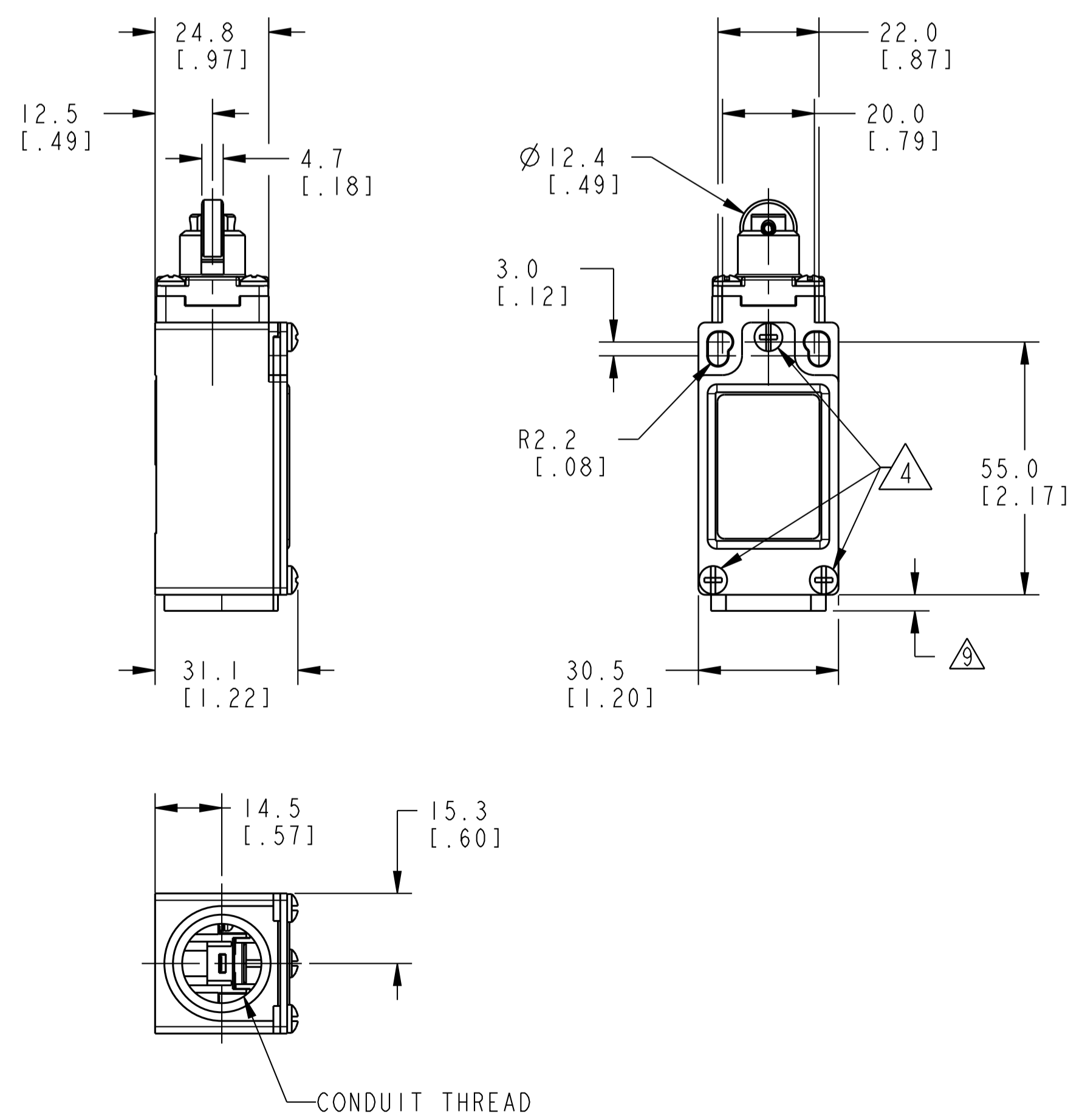
| SNAP ACTION CONTACTS  | SLOW ACTION CONTACTS BREAK BEFORE MAKE  | SLOW ACTION CONTACTS MAKE BEFORE BREAK  | SLOW ACTION CONTACTS 2 NORMALLY OPEN  | SLOW ACTION CONTACTS 2 NORMALLY CLOSED  | CONTACT BLOCK DIAGRAM TERMINAL DESIGNATION TO EN50013 |
|---|--|--|--|--|---|
|  |  |  |  |  | <p>NOMINAL TRAVELS AND RELATED TERMINALS</p>  <p>CONTACT CLOSED</p> <p>CONTACT OPEN</p> <p>• POSITIVE OPENING TO IEC 947-5-1</p> |
| <p>16 (3.6)</p> | <p>14 (3.2)</p> | <p>16 (3.6)</p> | <p>13 (2.9)</p> | <p>13 (2.9)</p> | <p>NORMAL OPERATING FORCE MAX N (lbf)</p> |
| <p>23 (5.2)</p> | <p>24 (5.4)</p> | <p>27 (6.1)</p> | <p>23 (5.2)</p> | <p>23 (5.2)</p> | <p>MAXIMUM DISCONNECT FORCE N (lbf)</p> |



MIN. OPERATING VELOCITY = 1.0mm/s
 MAX. OPERATING VELOCITY = 100mm/s
 MAX. OPERATING FREQUENCY = 250 OPS/MINUTE

(THESE LIMITS APPLY TO CAM ACTUATION AS SHOWN IN THE BELOW DIAGRAMS ONLY)

TOP ROLLER PLUNGER ACTUATOR CODE C



| | | | | |
|----------------------|-----------|-------------------|---------------|-----|
| Honeywell | | | | |
| SWITCH, LIMIT | | | | |
| TITLE | | | | |
| SIZE | CAGE CODE | DWG NO | TYPE | REV |
| A1 | 91929 | GL SERIES CHART 4 | I | A |
| SCALE | REF WT: | | SHEET 8 of 11 | |

PART NUMBER
GL SERIES CHART 4

| | | | | |
|-----------------------------|---|---|---|---|
| <p>SNAP ACTION CONTACTS</p> | <p>SLOW ACTION CONTACTS BREAK BEFORE MAKE</p> | <p>SLOW ACTION CONTACTS MAKE BEFORE BREAK</p> | <p>SLOW ACTION CONTACTS 2 NORMALLY OPEN</p> | <p>SLOW ACTION CONTACTS 2 NORMALLY CLOSED</p> |
| | | | | |
| <p>10 (2.2)</p> | <p>9 (2.0)</p> | <p>10 (2.2)</p> | <p>8 (1.8)</p> | <p>8 (1.8)</p> |
| <p>13 (3.0)</p> | <p>16 (3.6)</p> | <p>17 (3.8)</p> | <p>13 (3.0)</p> | <p>13 (3.0)</p> |

CONTACT BLOCK DIAGRAM TERMINAL DESIGNATION TO EN50013

NOMINAL TRAVELS AND RELATED TERMINALS

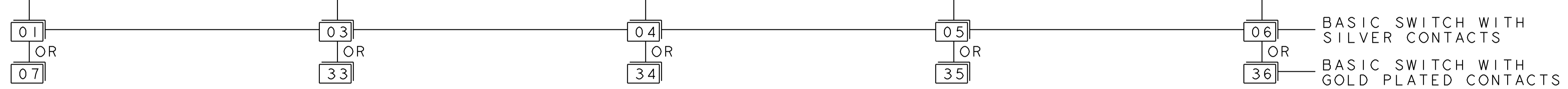
CONTACT CLOSED

CONTACT OPEN

• POSITIVE OPENING TO IEC 947-5-1

NORMAL OPERATING FORCE MAX N (lbf)

MAXIMUM DISCONNECT FORCE N (lbf)



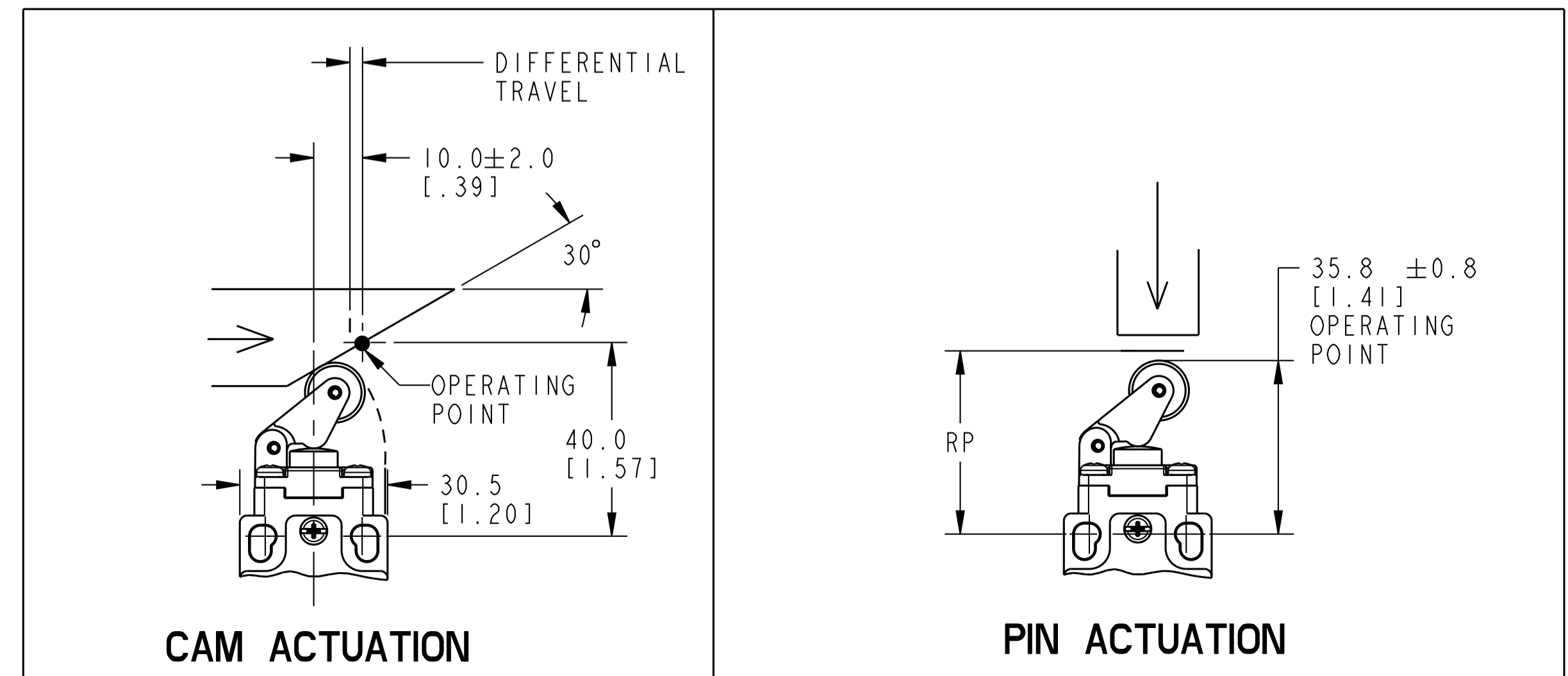
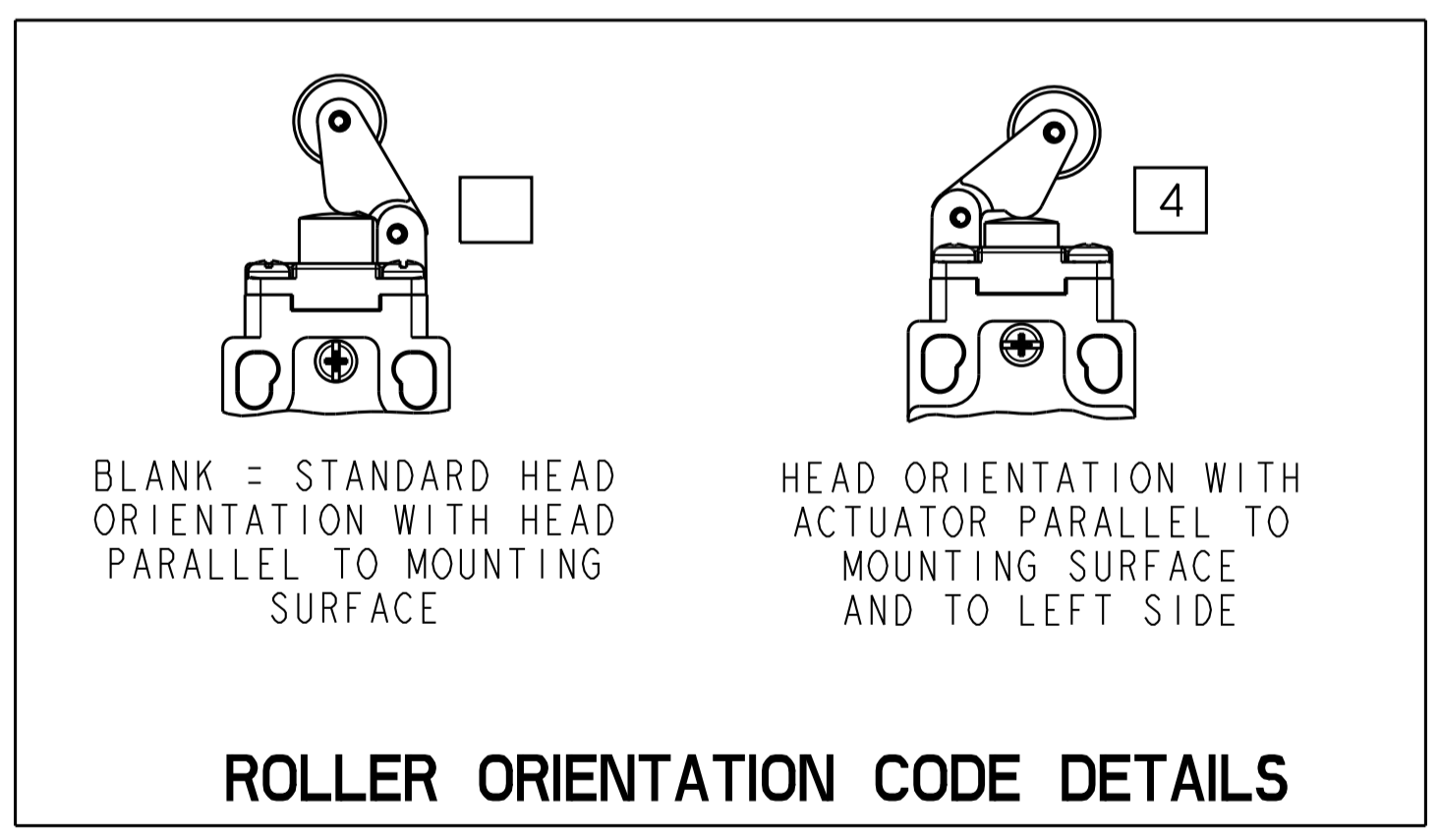
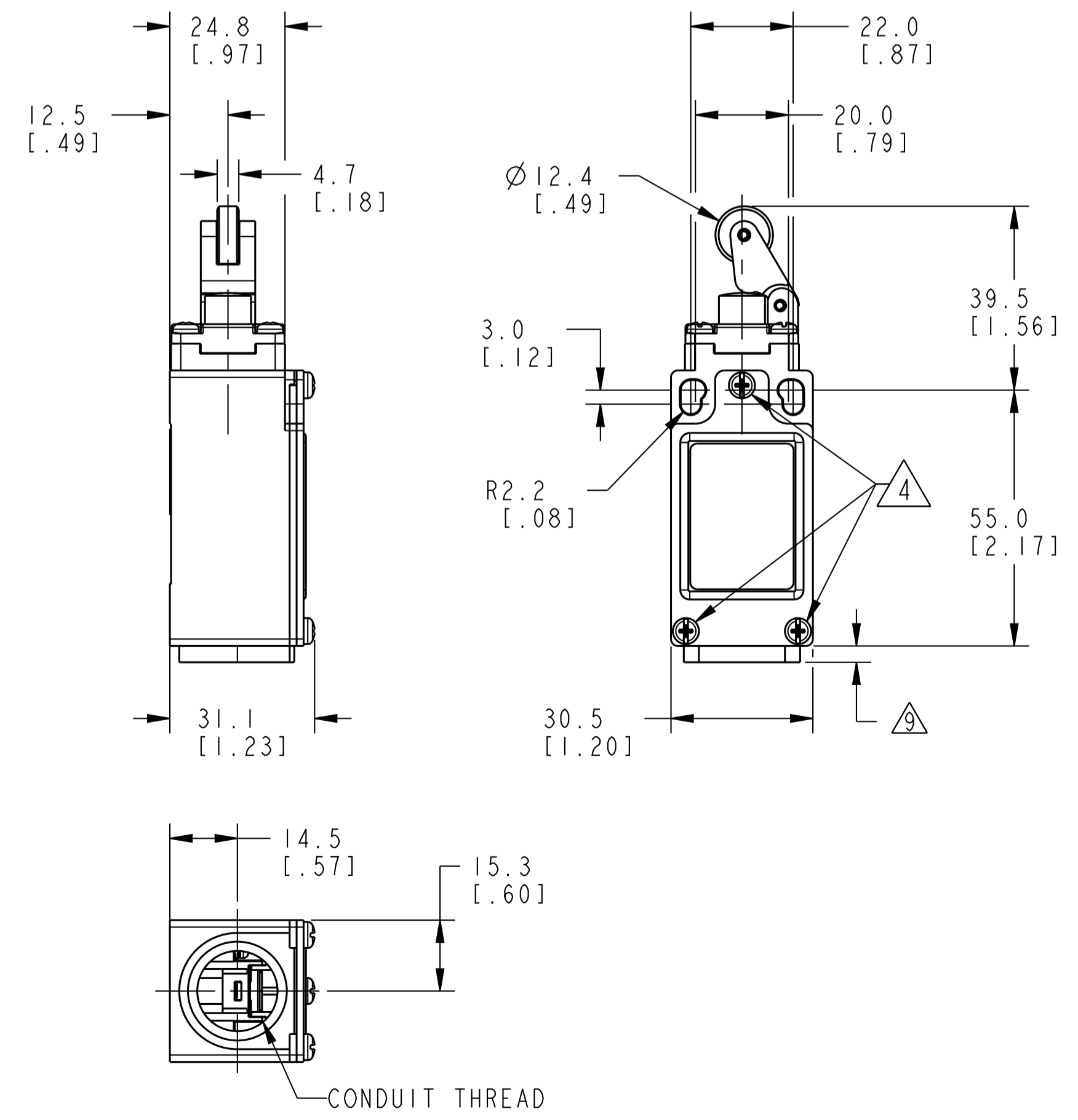
06 — BASIC SWITCH WITH SILVER CONTACTS

07 — BASIC SWITCH WITH GOLD PLATED CONTACTS

MIN. OPERATING VELOCITY = 1.0mm/s
 MAX. OPERATING VELOCITY = 100mm/s
 MAX. OPERATING FREQUENCY = 250 OPS/MINUTE

(THESE LIMITS APPLY TO CAM ACTUATION AS SHOWN IN THE BELOW DIAGRAMS ONLY)

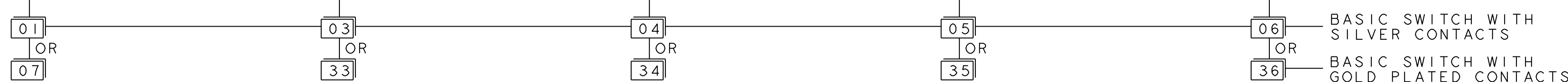
TOP ROLLER LEVER ACTUATOR CODE D



| | | | | |
|-------------------------------|---------------------------|------------------------------------|------------------|-----------------|
| Honeywell | | | | |
| TITLE SWITCH, LIMIT | | | | |
| SIZE A1 | CAGE CODE 91929 | DWG NO GL SERIES CHART 4 | TYPE I | REV A |
| SCALE 1:1 | | REF WT: | | SHEET 9 of 11 |

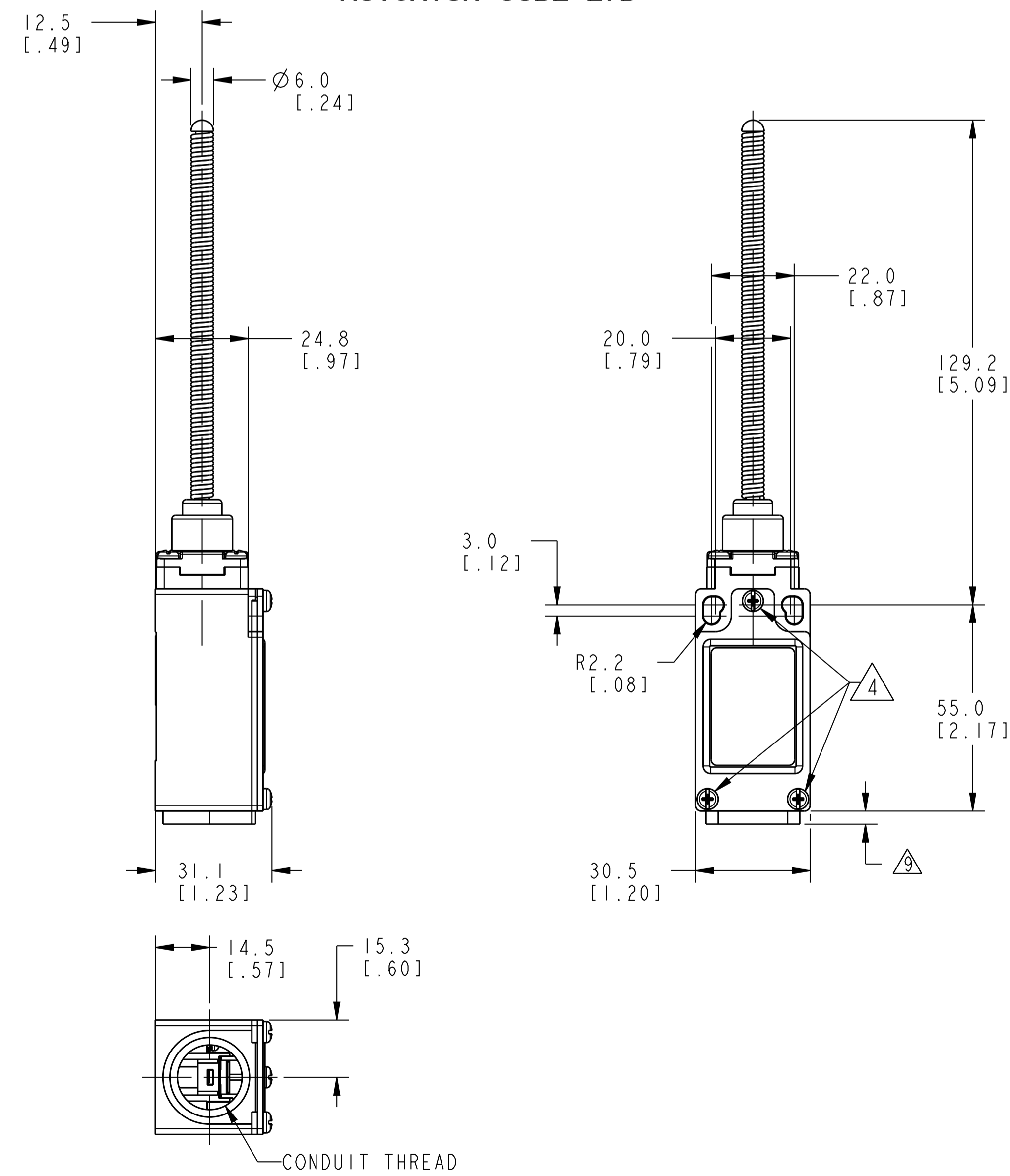
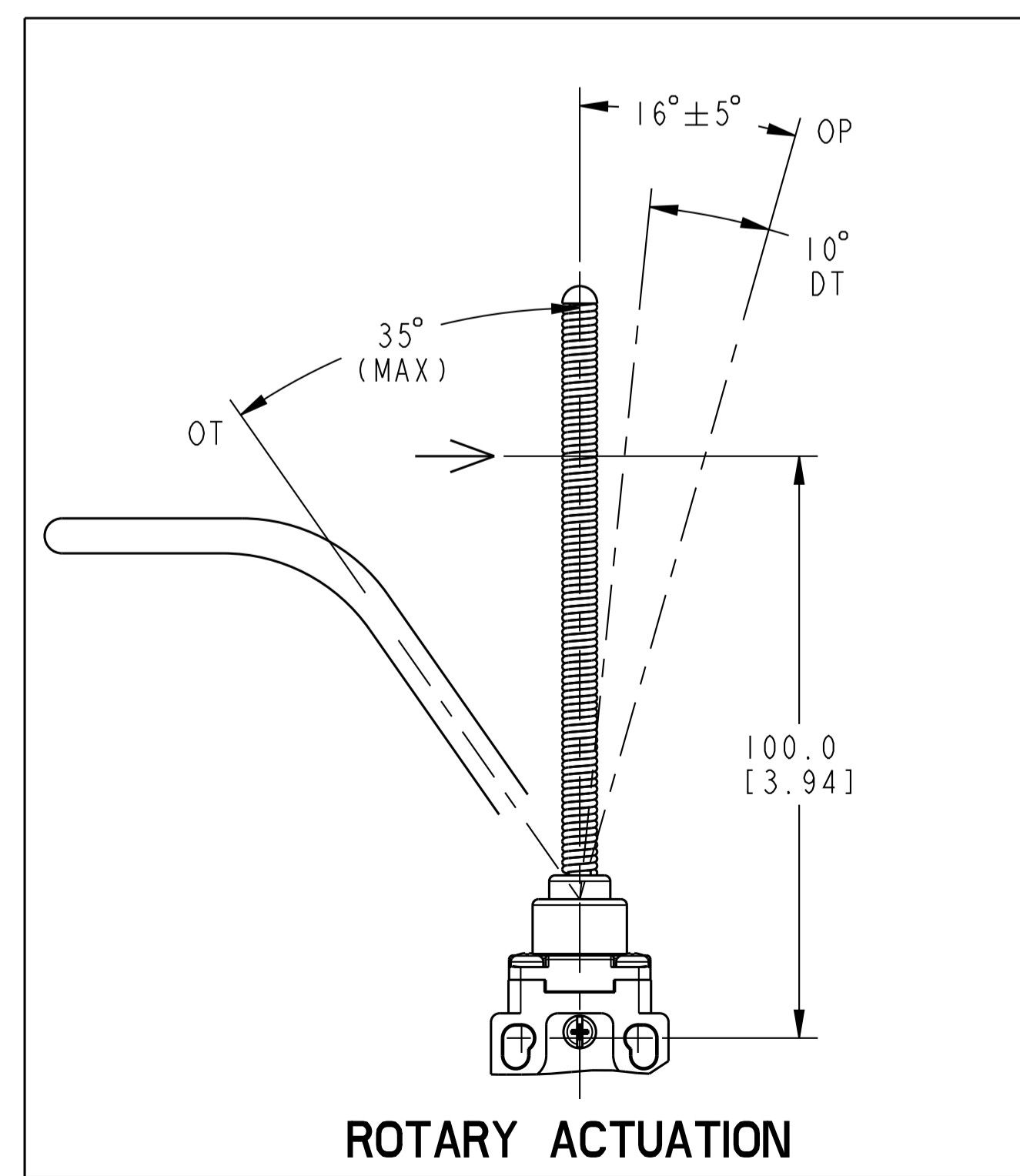
PART NUMBER
GL SERIES CHART 4

| | | | | | |
|-----------------------------|---|---|---|---|--|
| <p>SNAP ACTION CONTACTS</p> | <p>SLOW ACTION CONTACTS BREAK BEFORE MAKE</p> | <p>SLOW ACTION CONTACTS MAKE BEFORE BREAK</p> | <p>SLOW ACTION CONTACTS 2 NORMALLY OPEN</p> | <p>SLOW ACTION CONTACTS 2 NORMALLY CLOSED</p> | <p>CONTACT BLOCK DIAGRAM TERMINAL DESIGNATION TO EN50013</p> |
| | | | | | <p>NOMINAL TRAVELS AND RELATED TERMINALS</p> |
| <p>1.3 (0.29)</p> | <p>1.1 (0.25)</p> | <p>1.2 (0.27)</p> | <p>1.1 (0.25)</p> | <p>1.1 (0.25)</p> | <p>NORMAL OPERATING FORCE MAX N (1bf)</p> |



WOBBLE ACTUATOR CODE E7B

MIN. OPERATING VELOCITY = 0.13 rad/s
 MAX. OPERATING VELOCITY = 13 rad/s
 MAX. OPERATING FREQUENCY = 100 OPS/MINUTE



| | | | | |
|----------------------|-----------|-------------------|----------------|-----|
| Honeywell | | | | |
| SWITCH, LIMIT | | | | |
| SIZE | CAGE CODE | DWG NO | TYPE | REV |
| A1 | 91929 | GL SERIES CHART 4 | I | A |
| SCALE | REF WT: | | SHEET 10 of 11 | |
| 1:1 | | | | |

16

15

14

13

12

11

10

9

8

7

6

5

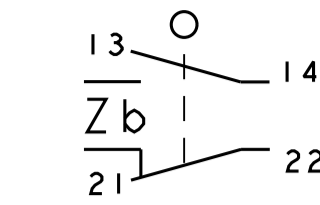
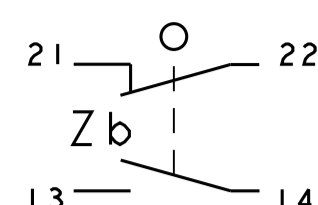
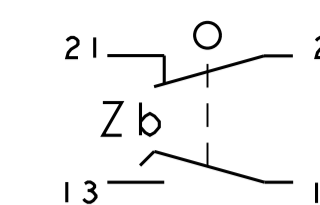
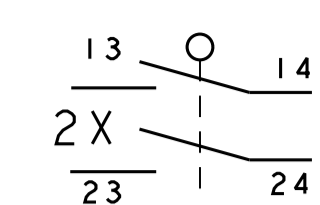
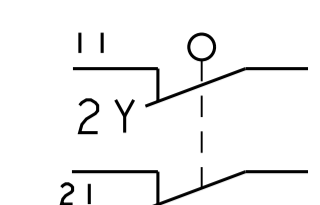
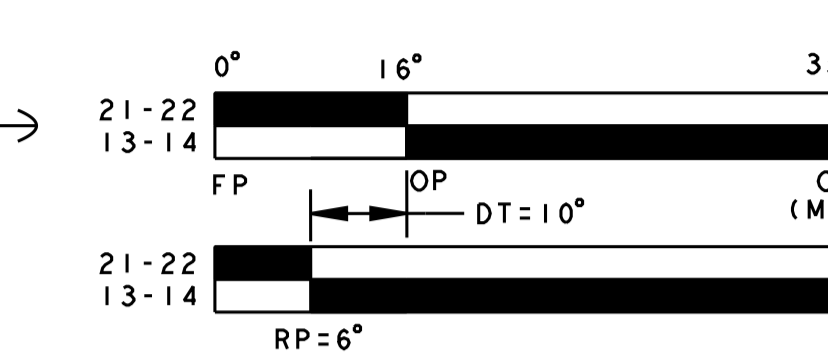
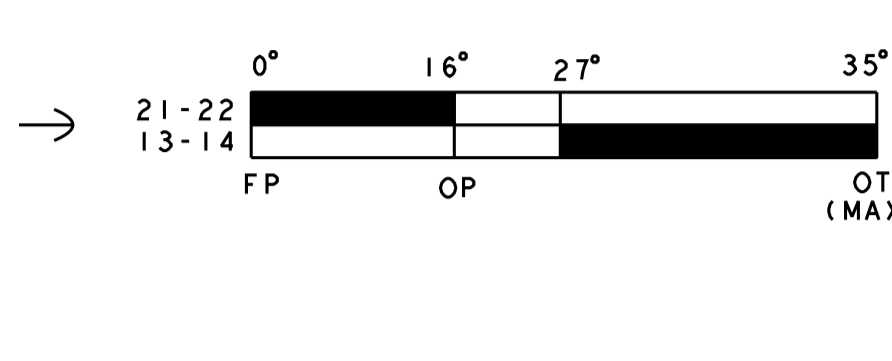
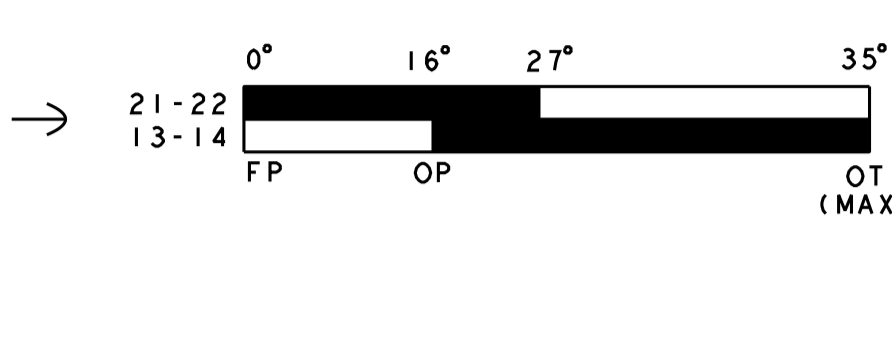
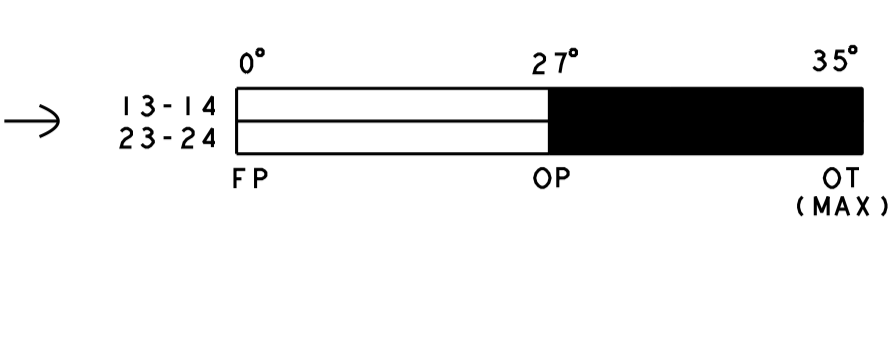
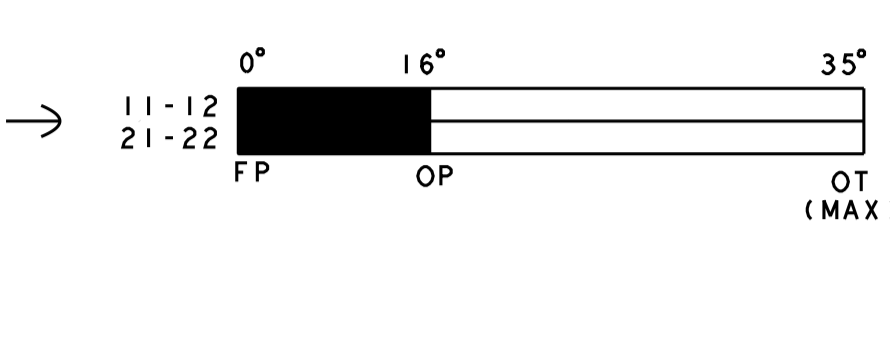
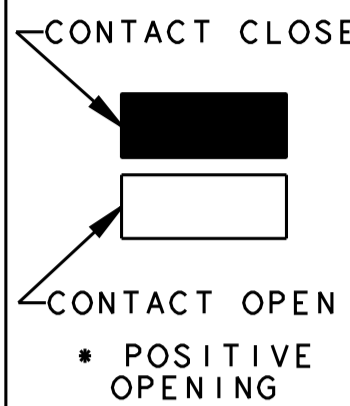
4

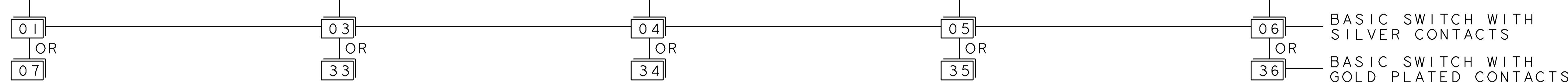
3

2

1

PART NUMBER
GL SERIES CHART 4

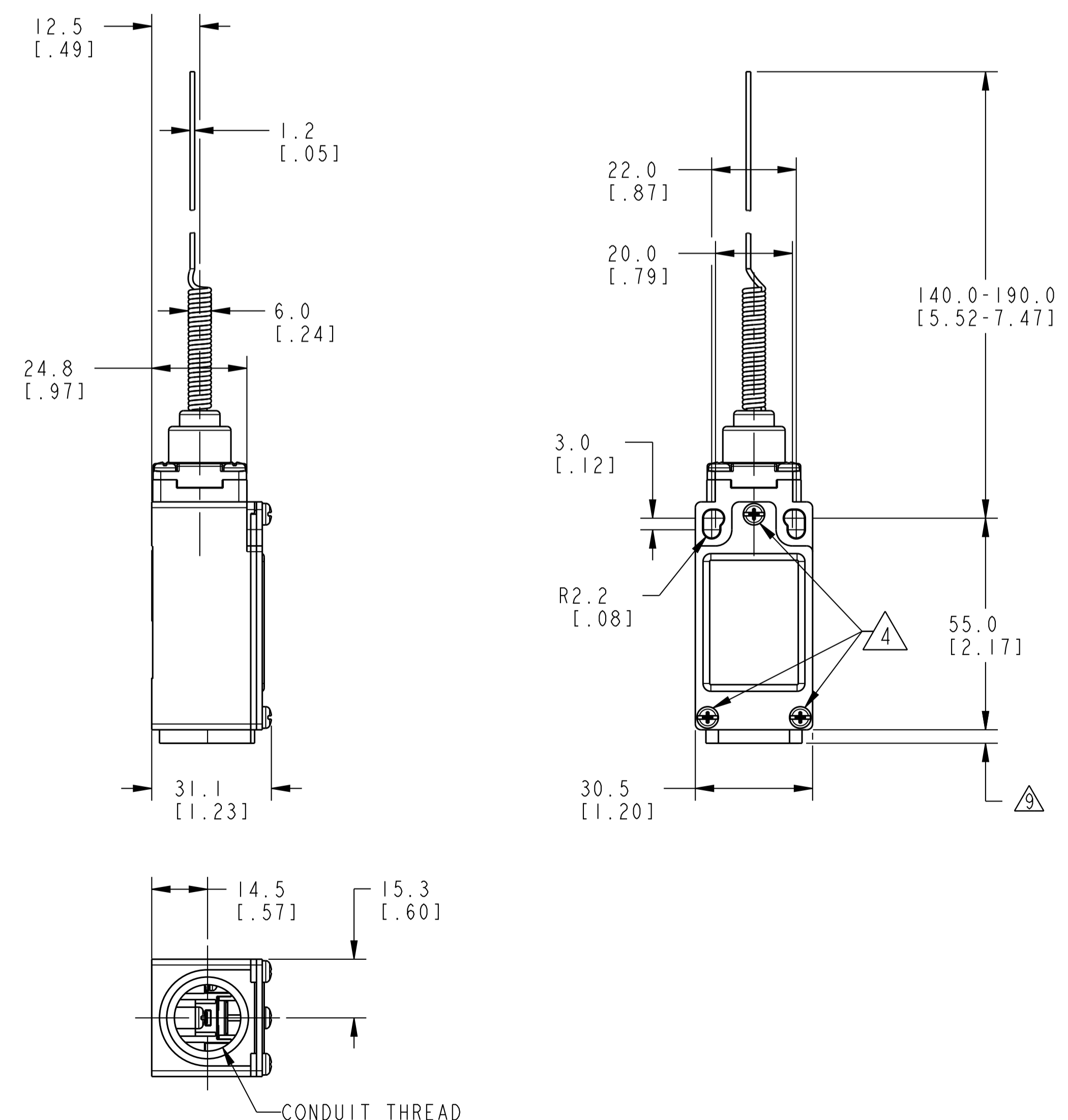
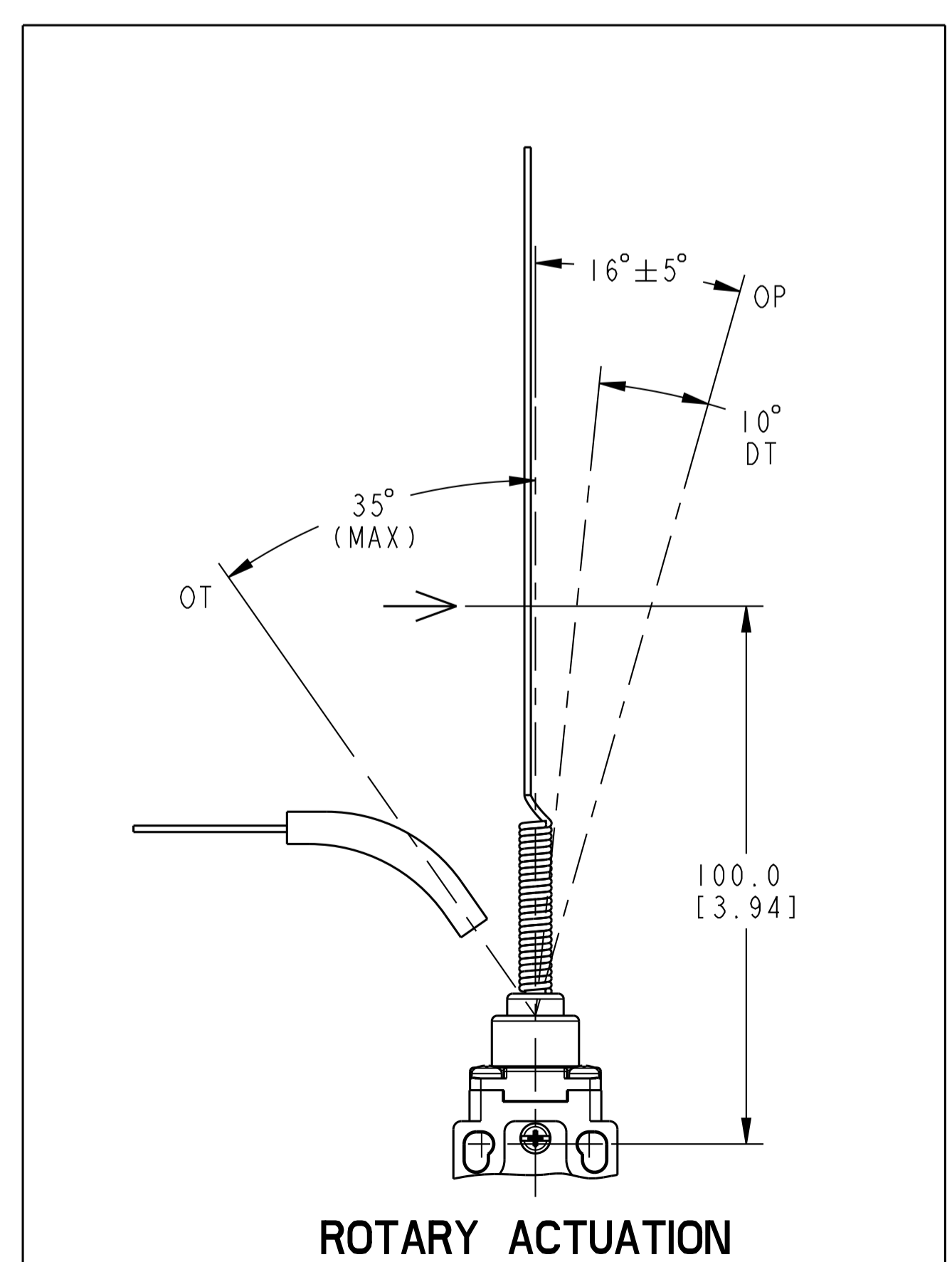
| | | | | | |
|---|---|---|---|---|--|
| <p>SNAP ACTION CONTACTS</p>  | <p>SLOW ACTION CONTACTS BREAK BEFORE MAKE</p>  | <p>SLOW ACTION CONTACTS MAKE BEFORE BREAK</p>  | <p>SLOW ACTION CONTACTS 2 NORMALLY OPEN</p>  | <p>SLOW ACTION CONTACTS 2 NORMALLY CLOSED</p>  | <p>CONTACT BLOCK DIAGRAM TERMINAL DESIGNATION TO EN50013</p> |
|  |  |  |  |  | <p>NOMINAL TRAVELS AND RELATED TERMINALS</p>  |
| <p>0.9 (0.19)</p> | <p>0.7 (0.16)</p> | <p>0.6 (0.13)</p> | <p>1.1 (0.25)</p> | <p>0.6 (0.13)</p> | <p>NORMAL OPERATING FORCE MAX N (1bf)</p> |



01-07 BASIC SWITCH WITH SILVER CONTACTS
03-33 BASIC SWITCH WITH GOLD PLATED CONTACTS
04-34 BASIC SWITCH WITH SILVER CONTACTS
05-35 BASIC SWITCH WITH GOLD PLATED CONTACTS
06-36 BASIC SWITCH WITH SILVER CONTACTS
06-36 BASIC SWITCH WITH GOLD PLATED CONTACTS

**WOBBLE
ACTUATOR CODE K8A, K8B & K8D**

MIN. OPERATING VELOCITY = 0.26 rad/s
MAX. OPERATING VELOCITY = 25 rad/s
MAX. OPERATING FREQUENCY = 100 OPS/MINUTE



| | | | | |
|----------------------|-----------|-------------------|----------------|-----|
| Honeywell | | | | |
| SWITCH, LIMIT | | | | |
| SIZE | CAGE CODE | DWG NO | TYPE | REV |
| A1 | 91929 | GL SERIES CHART 4 | I | A |
| SCALE | 1:1 | REF WT: | SHEET 11 of 11 | |