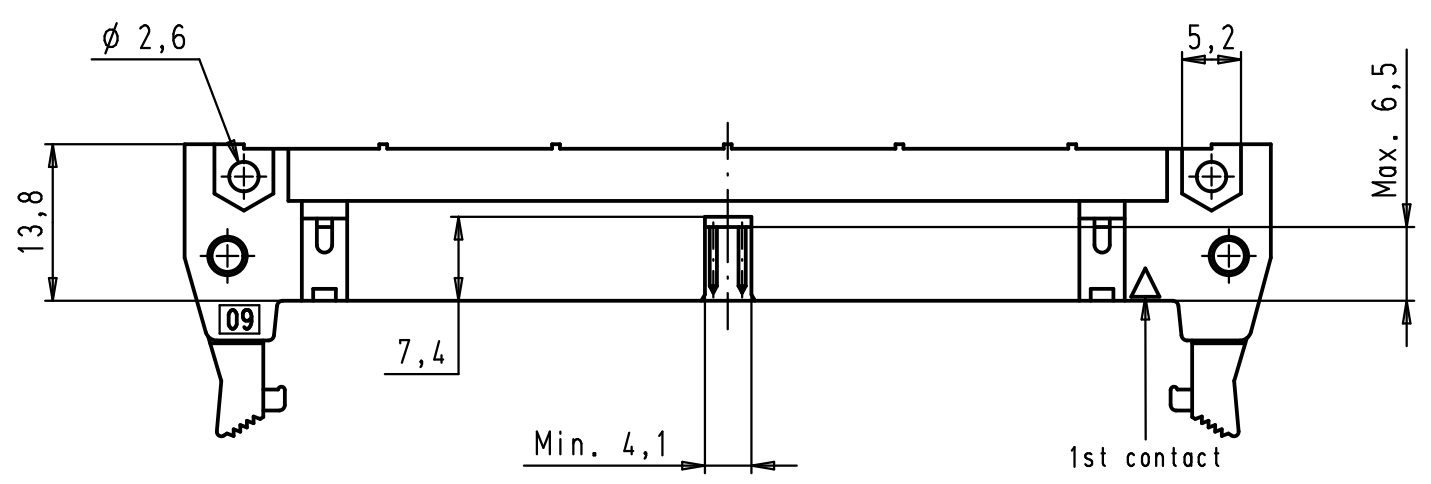
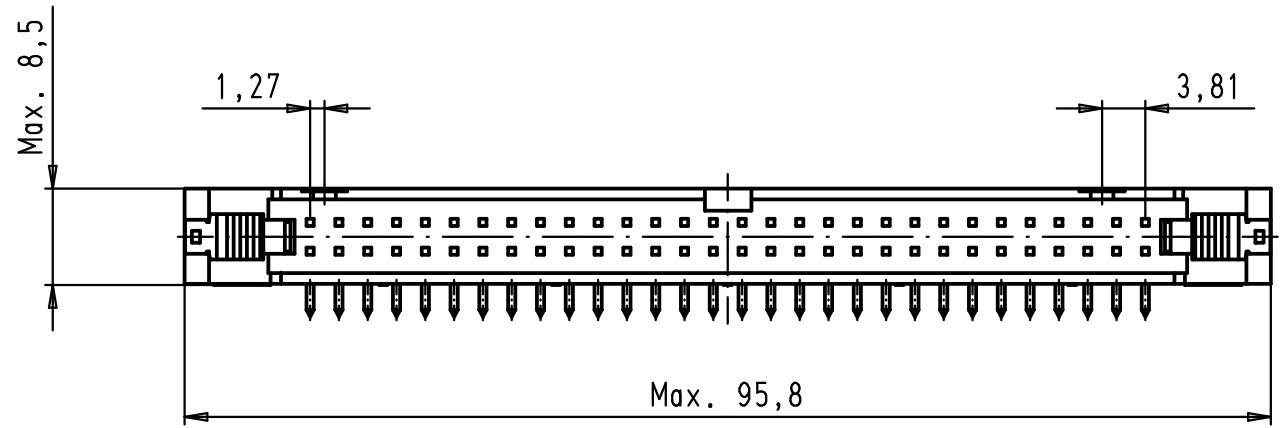
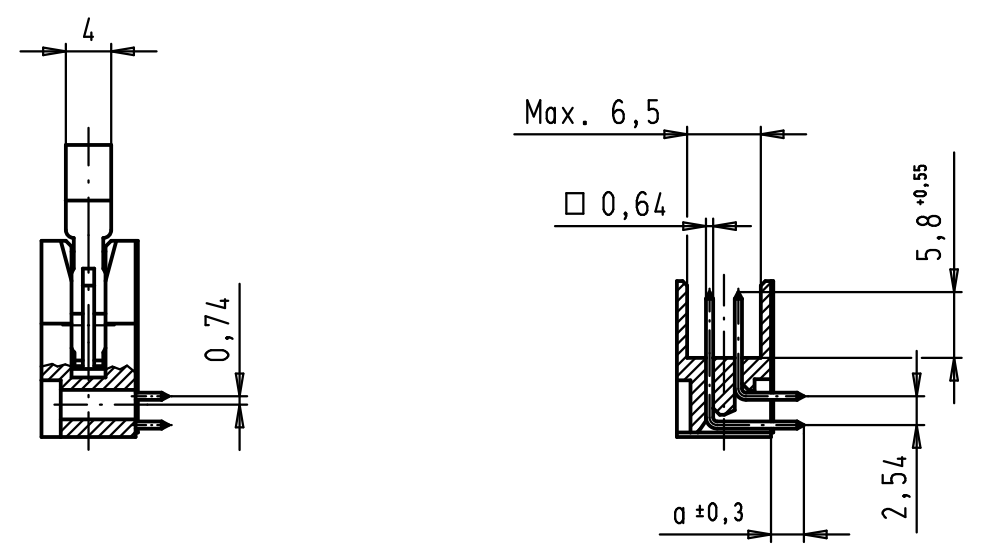
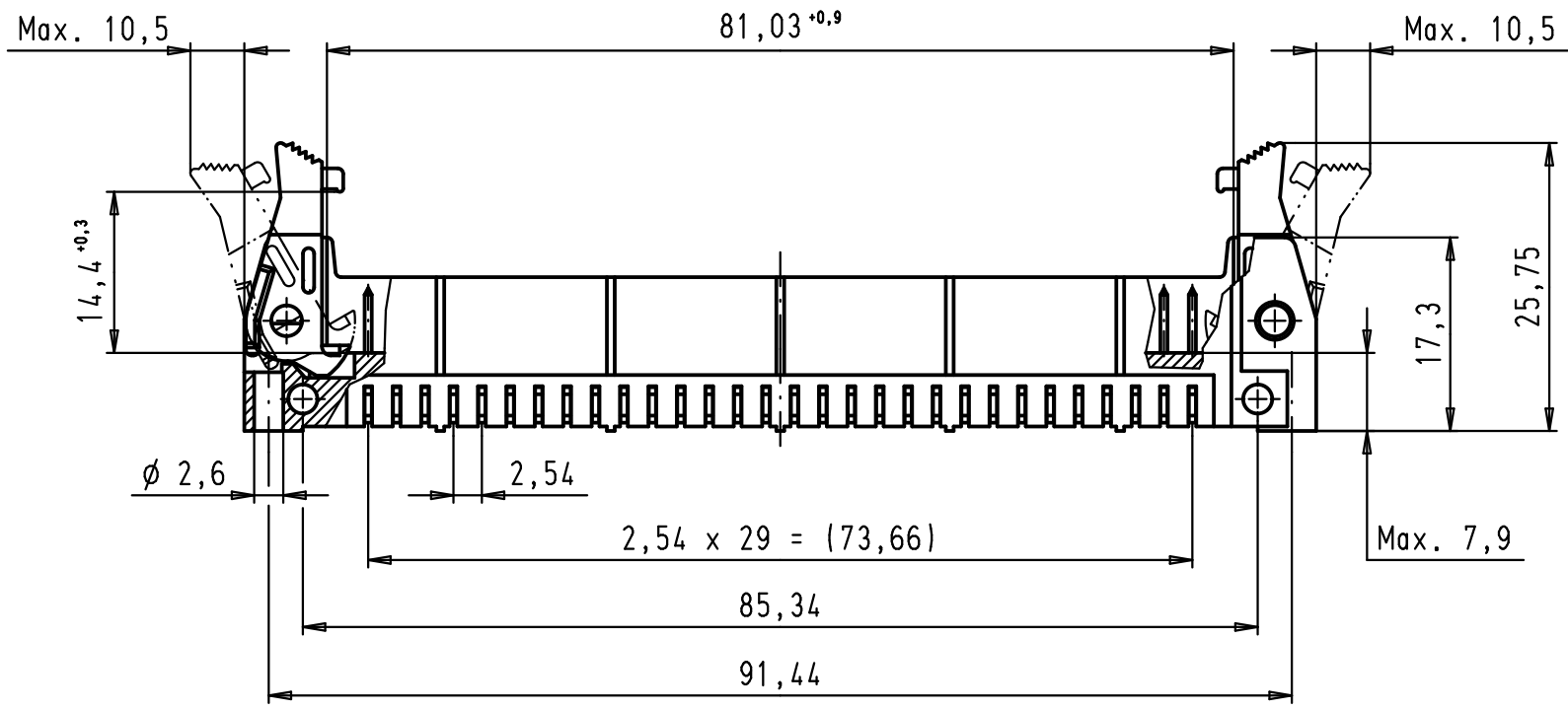
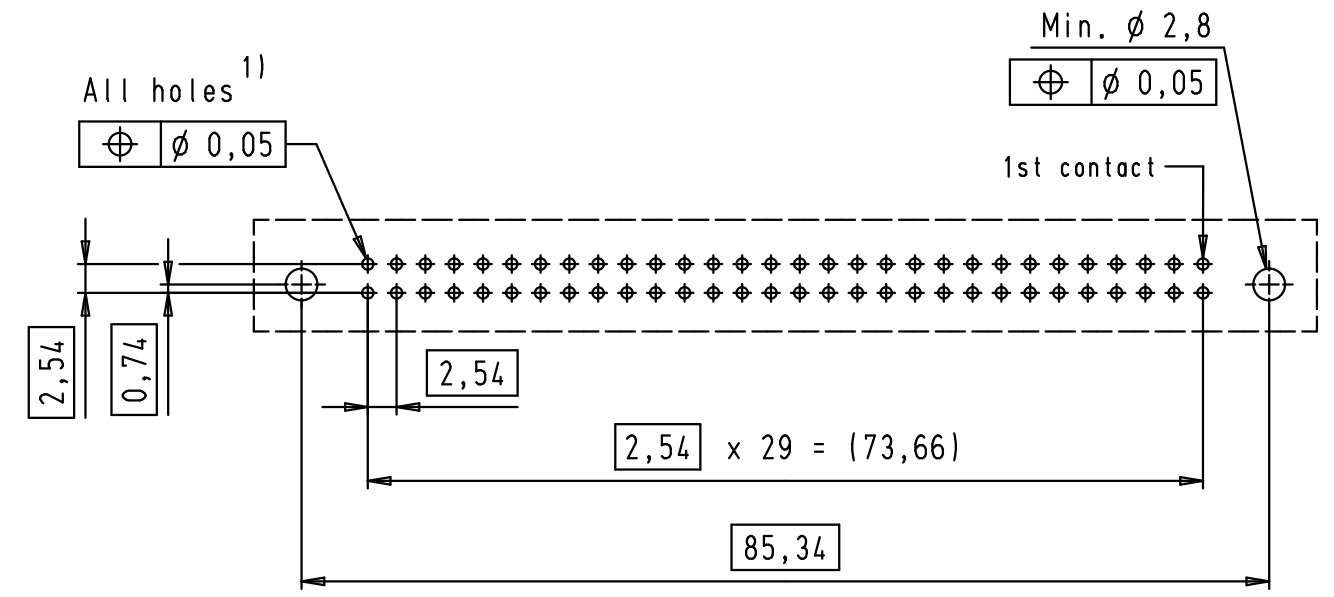


Alle Rechte vorbehalten/ All rights reserved



PCB layout, component side



1) Solder pins for PCB connections  
 $\phi 1 \pm 0,1$  according to IEC 60 326-3

|                |                       |     |
|----------------|-----------------------|-----|
| 09 18 560 7901 | 3                     | 4,5 |
| 09 18 560 6901 | 2                     | 4,5 |
| 09 18 560 5901 | 0,76 $\mu\text{m Au}$ | 4,5 |
| 09 18 560 7903 | 3                     | 2,9 |
| 09 18 560 6903 | 2                     | 2,9 |
| 09 18 560 5903 | 0,76 $\mu\text{m Au}$ | 2,9 |
| Part number    | Performance level     | a   |

|       |          |      |                               |          |      |  |  |                            |
|-------|----------|------|-------------------------------|----------|------|--|--|----------------------------|
|       |          |      |                               | Det.     | Name | <br>All Dim. in mm<br>Orig. Size DIN A 3 | SEK 18 Male Connector Standard<br>60 poles<br>Angled pins<br>Long locking levers | Maßstab/<br>Scale<br>1,5:1 |
| 34890 | 31/01/08 | PK   | Detail.                       | 01/12/99 | JB   |  |  |                            |
| 29753 | 11/03/02 | JB   | Insp.                         |          |      |  |  |                            |
| 29739 | 03/12/01 | JB   | Stand.                        |          |      |  |  |                            |
| 27931 | 15/06/00 | JB   |                               |          |      |  |  |                            |
| 26554 | 01/12/99 | JB   |                               |          |      |  |  |                            |
| Mod.  | Det.     | Name | HARTING EURL<br>F-95972 Paris |          |      |  | <b>TB 09 18 560 X90X</b>   | Blatt/<br>Page<br>2 / 2    |
|       |          |      |                               |          |      |  |  |                            |