

# SOFT START CONTROL MODULE

## SSC

X10336

### INTRODUCTION

This mains operated soft start power module gives an adjustable ramp up time of between 1 to 60 seconds. The unit also incorporates a 10 – 50% pedestal, which allows a variable set point of the start up voltage required on certain applications. These units are capable of soft starting loads up to 25A (when mounted on a suitable heatsink)

### APPLICATIONS

Suitable for most resistive and inductive loads within voltage and power limitation, such as heat lamps, fans, pumps and other ac motor loads.

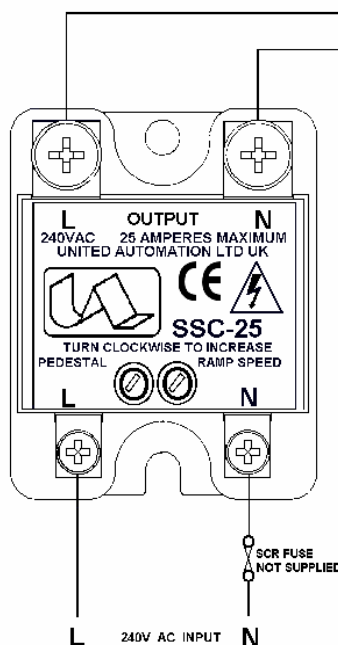
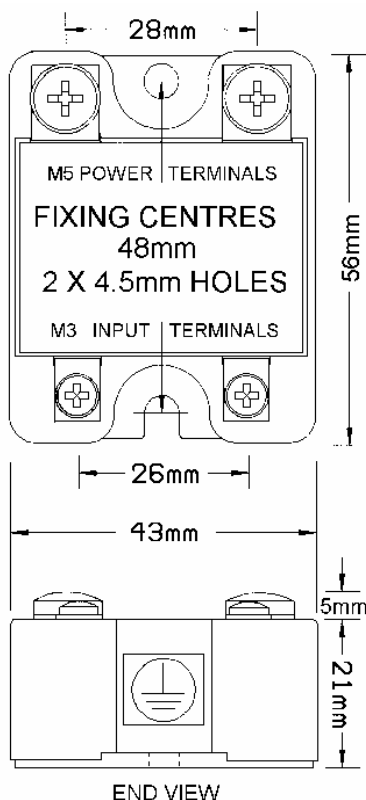
RoHS Compliant  
Directive  
2002/95/EC

### FEATURES

- Compact and easy to use
- Adjustable ramp up time
- Adjustable pedestal
- Simple wiring
- High inrush capability



### INSTALLATION

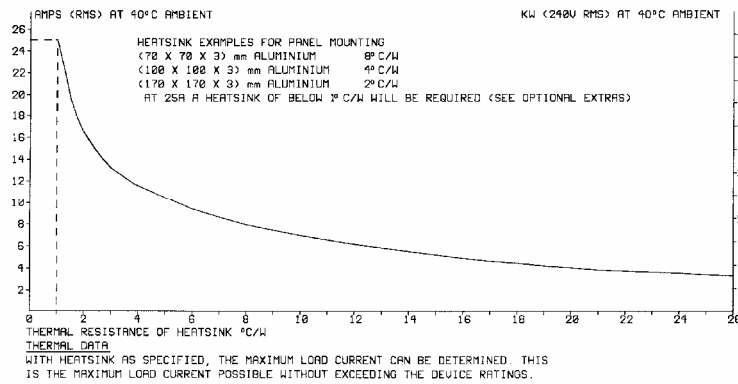


**WARNING LIVE TERMINALS**  
SWITCH OFF MAINS BEFORE  
COMMENCING ANY SERVICING WORK.  
THIS UNIT MUST BE EARTHED

**FIXING REQUIREMENTS**  
FOR 25A OPERATION THE UNIT SHOULD  
BE FASTENED TO A HEATSINK RATED AT  
1.3°C PER WATT @ AMBIENT TEMPERATURE  
OF 35 C. EARTH THE HEATSINK USING A 4mm  
SCREW OR BOLT TOGETHER WITH A STAR  
WASHER, ENSURING THAT THERE IS A GOOD  
METAL TO METAL CONTACT BETWEEN THE  
BASE AND THE HEATSINK.  
HEATSINK PASTE IS ESSENTIAL.  
(SEE COOLING REQUIREMENTS PAGE 2)

## INSTALLATION

## COOLING REQUIREMENTS



## SPECIFICATIONS

AC system line voltage	110/230V $\pm$ 10%	Line frequency	50/60Hz
Unit limiting RMS current	25A	I <sup>2</sup> t for fusing	250 A <sup>2</sup> s
Unit limiting RMS current	26A	Isolation voltage	5000V RMS
Minimum operating current	200mA	Ramp time	1 to 60 seconds
Unit current consumption	20mA dc Max	Pedestal	10 to 50%
Operating temperature	-20 to 85°C	Storage temperature	0 to 65°C

## FUSING:

It is recommended to use semiconductor (fast acting) type fuses or circuit breakers (Semiconductor - MCB) for unit protection. On initial 'switch on' some loads may need an increased Factor of Safety (F of S) for unit and/or device protection. (See the SRA Datasheet for further information).

## CE MARKING

This product family carries a "CE marking". These phase angle type controllers require a suitable remote filter. For information see recommendation section and contact our sales desk. (See the Declaration of Conformity).

## RECOMMENDATIONS

Other documents available on request, which may be appropriate for your application:-

CODE	IDENTITY	DESCRIPTION
X10229	RFI	Single Phase Filtering recommendations - addressing EMC Directive
X10213	ITA	Interaction, uses for phase angle and for burst fire control.
X10255	SRA (LVD)	Safety requirements - addressing the Low Voltage Directive including :- Thermal data/cooling ; "Live" parts warning & Earth requirements; Fusing recommendations.
AP02/4	COS	UAL Conditions of sale.

**NOTE** It is recommended that installation and maintenance of this equipment should be done with reference to the current edition of the I.E.E. wiring regulations (BS7671) by suitably qualified/trained personnel. The regulations contain important requirements regarding safety of electrical equipment (For International Standards refer to I.E.C/ directive IEC 950).

## ORDER CODE:

State part number: SSC25.  
Optional extras include : Heatsink assembly.



## UNITED AUTOMATION LIMITED

1 Southport Business Park  
Kew  
Southport, PR8 4HQ  
ENGLAND

Tel: 0044 (0) 1704 – 516500 Main  
Tel: 0044 (0) 1704 – 516516 Sales  
Fax: 0044 (0) 1704 – 516501  
Enquiry@united-automation.com  
www.united-automation.com

Page No. 2 of 2 Issue 2

Date 23/12/99



015

This document was created with Win2PDF available at <http://www.daneprairie.com>.  
The unregistered version of Win2PDF is for evaluation or non-commercial use only.